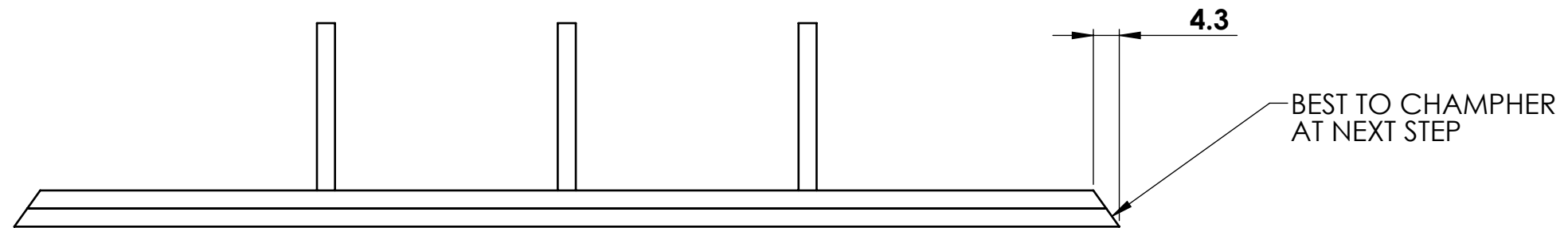


BUILD UP BOTTOM  
KEEPING HOLES ALIGNED

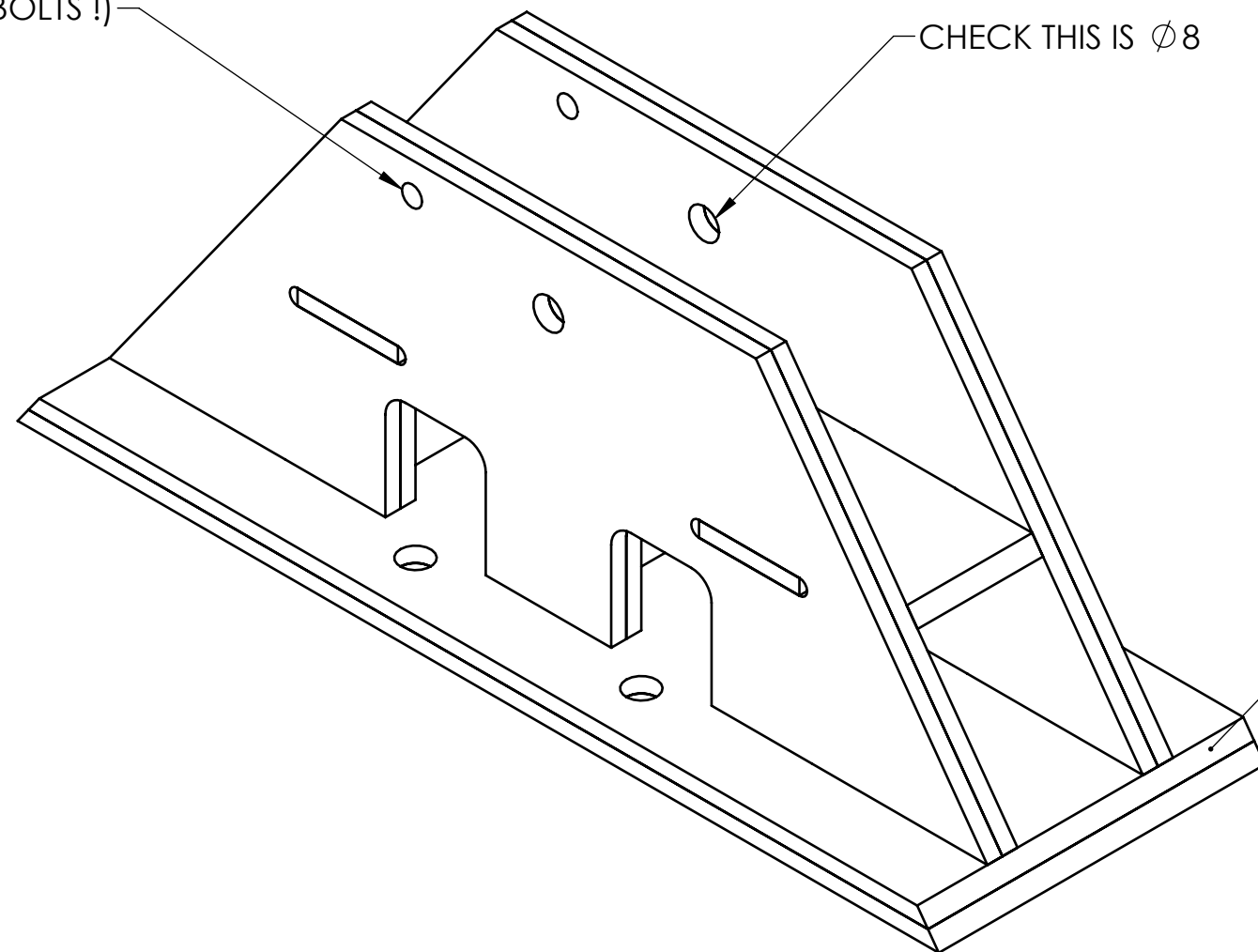


4.3

BEST TO CHAMPHER  
AT NEXT STEP

**STEP 1**

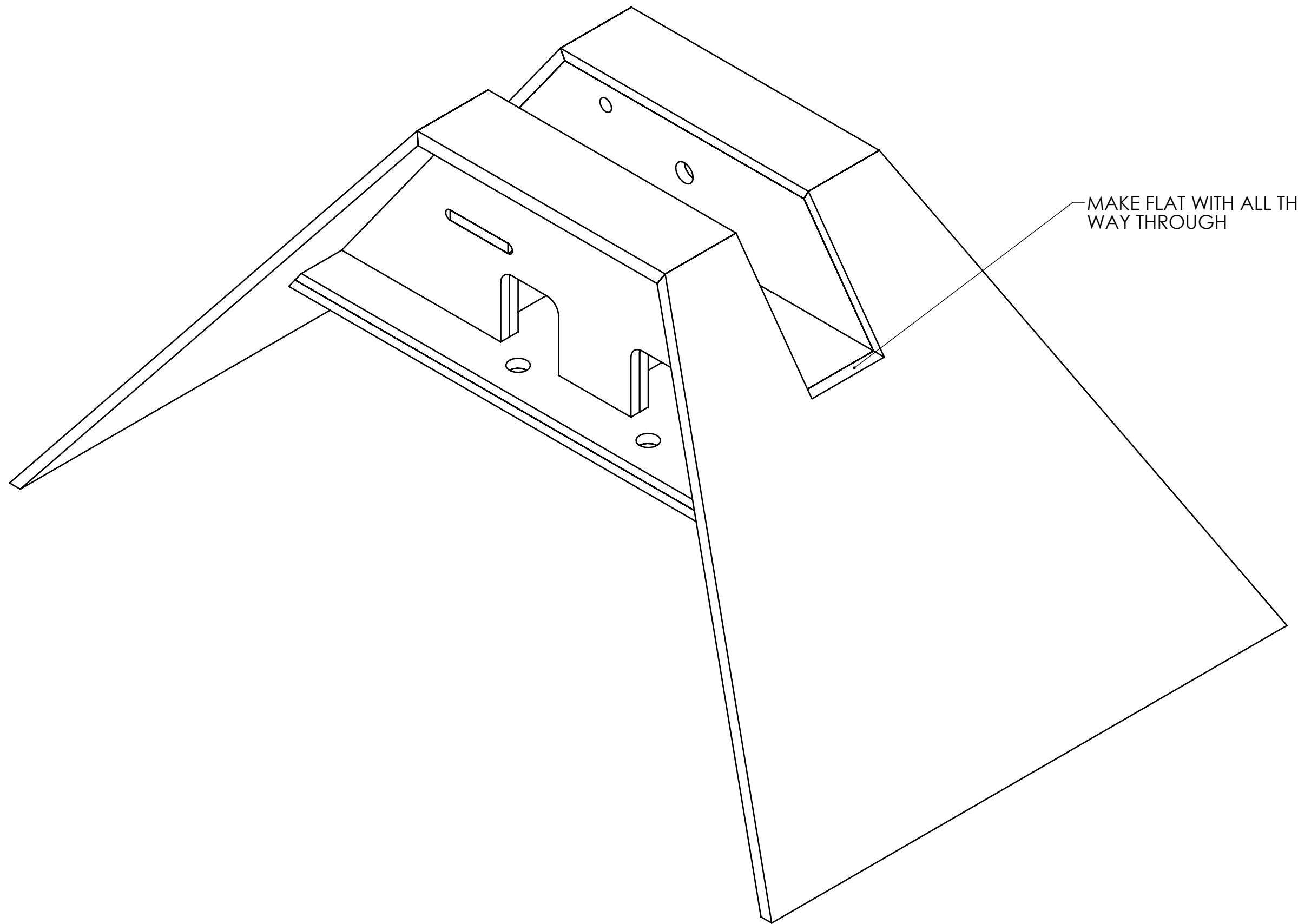
DRILL THRU  $\phi 6$  ANKLE  
LOCKING SCREW HOLES  
(IF YOU'RE USING BOLTS !)



CHECK THIS IS  $\phi 8$

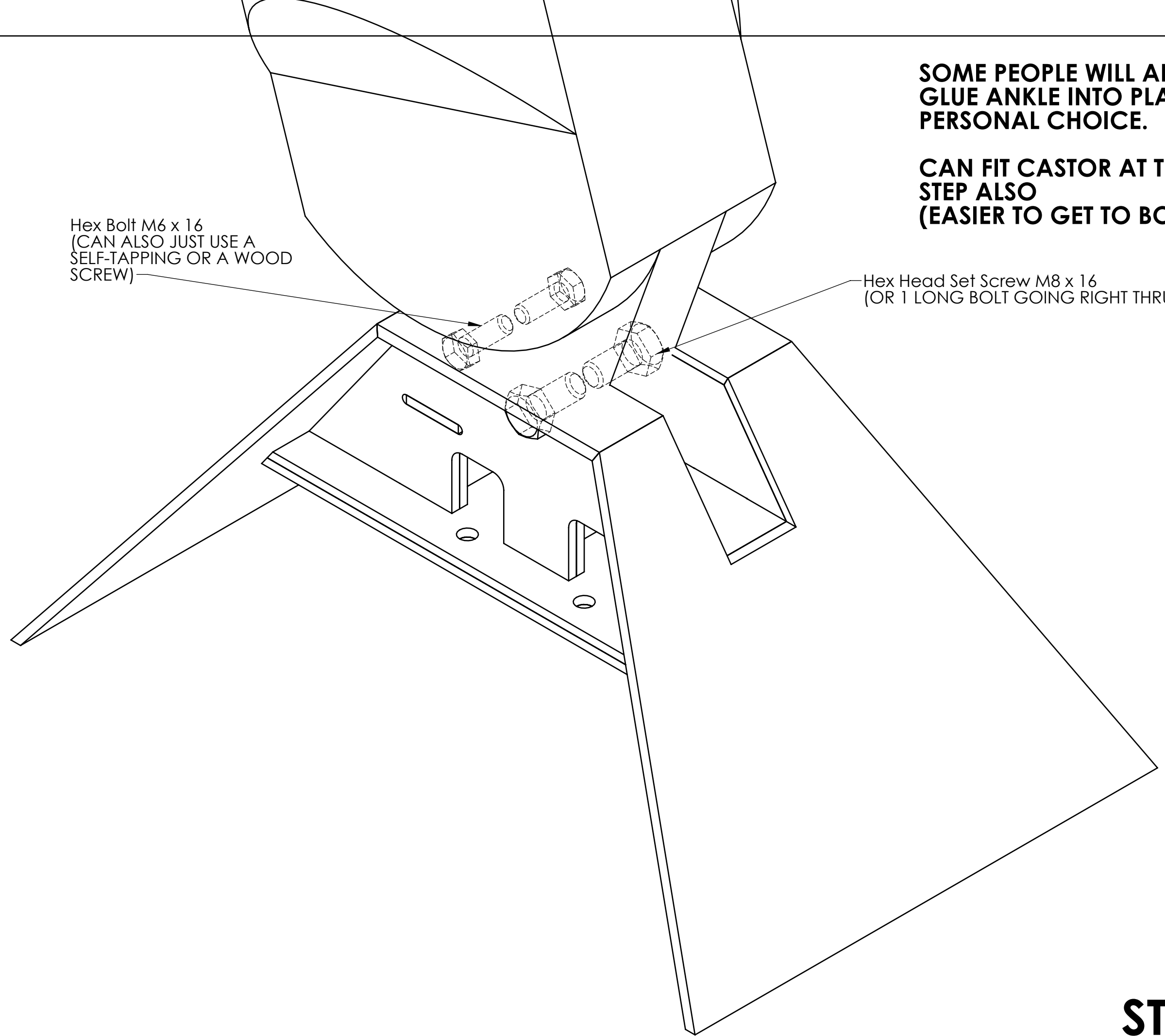
CHAMFER TO MATCH

**STEP 2**



MAKE FLAT WITH ALL THE WAY THROUGH

**STEP 3**



Hex Bolt M6 x 16  
(CAN ALSO JUST USE A  
SELF-TAPPING OR A WOOD  
SCREW)

**SOME PEOPLE WILL ALSO  
GLUE ANKLE INTO PLACE.  
PERSONAL CHOICE.**

**CAN FIT CASTOR AT THIS  
STEP ALSO  
(EASIER TO GET TO BOLTS)**

Hex Head Set Screw M8 x 16  
(OR 1 LONG BOLT GOING RIGHT THRU)

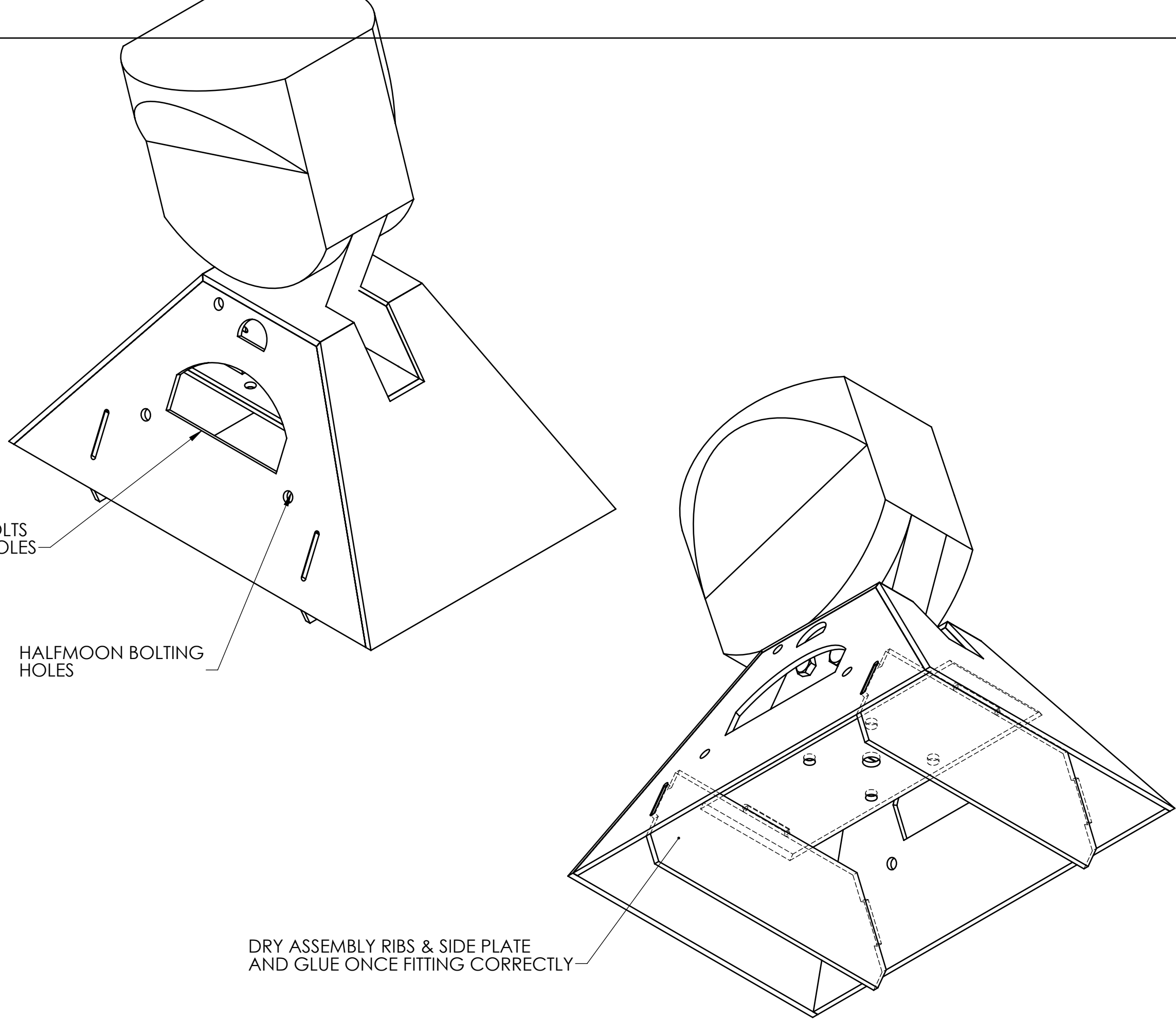
**STEP 4**

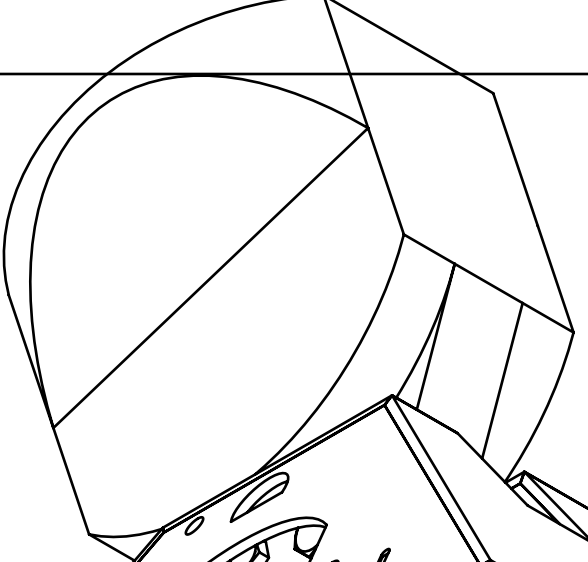
CASTER BOLTS  
ACCESS HOLES

HALFMOON BOLTING  
HOLES

DRY ASSEMBLY RIBS & SIDE PLATE  
AND GLUE ONCE FITTING CORRECTLY

**STEP 5**

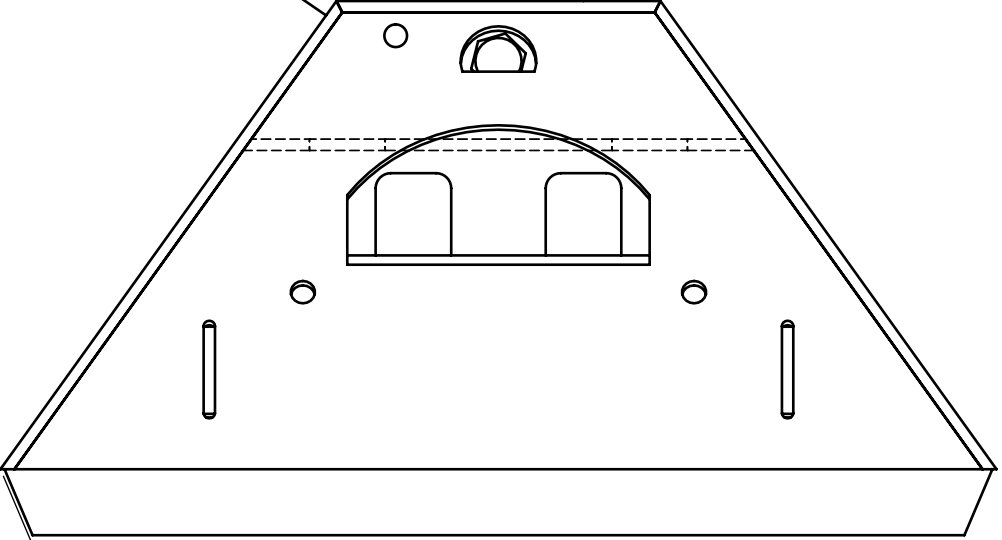
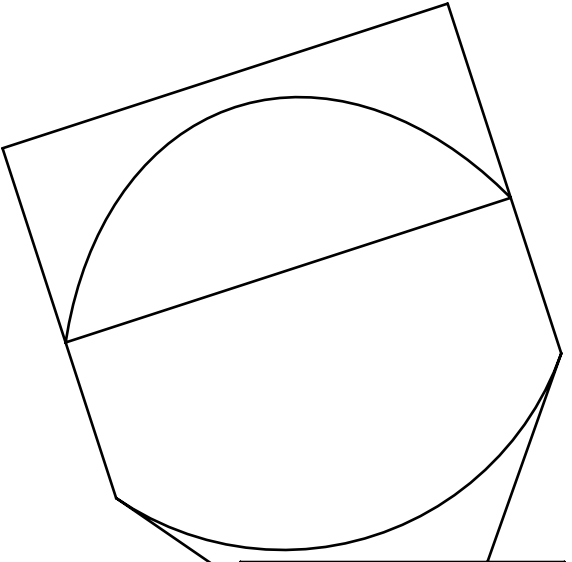
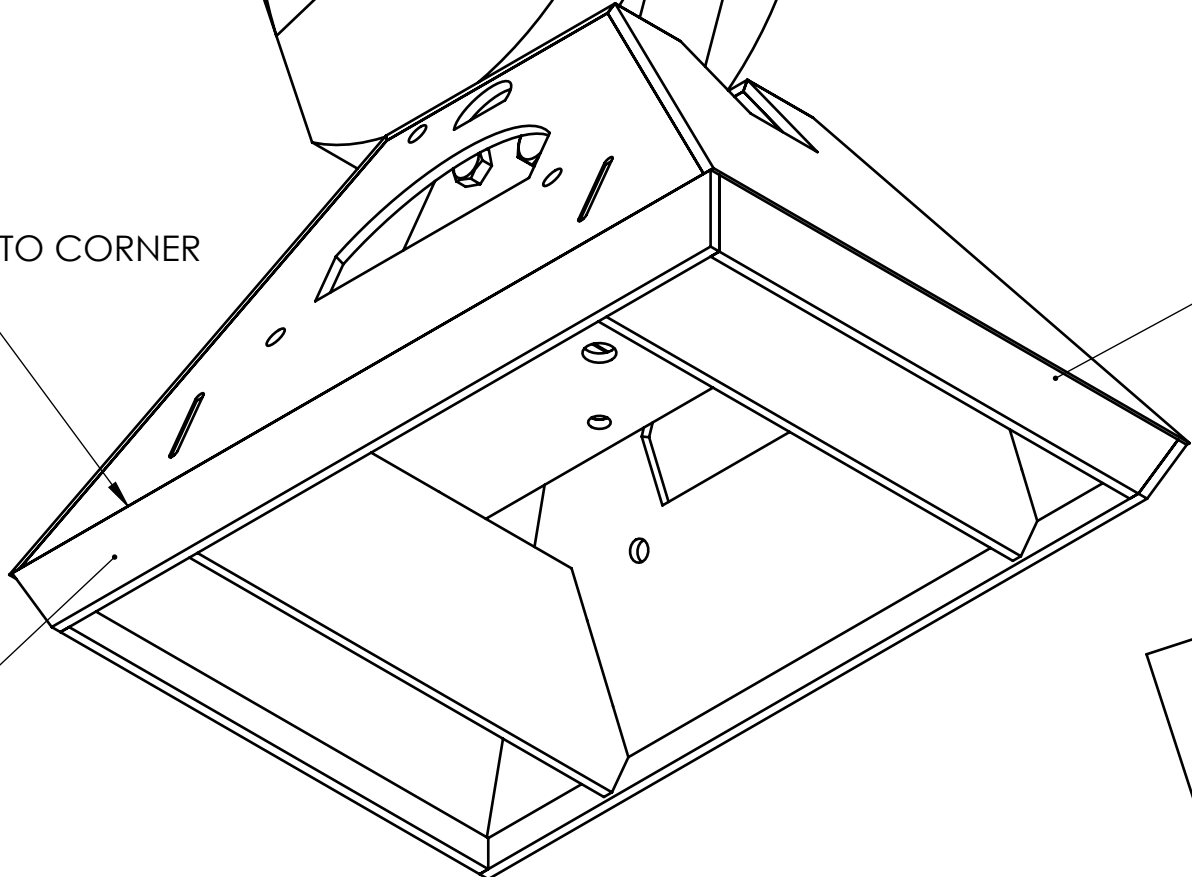




CORNER TO CORNER  
EDGE

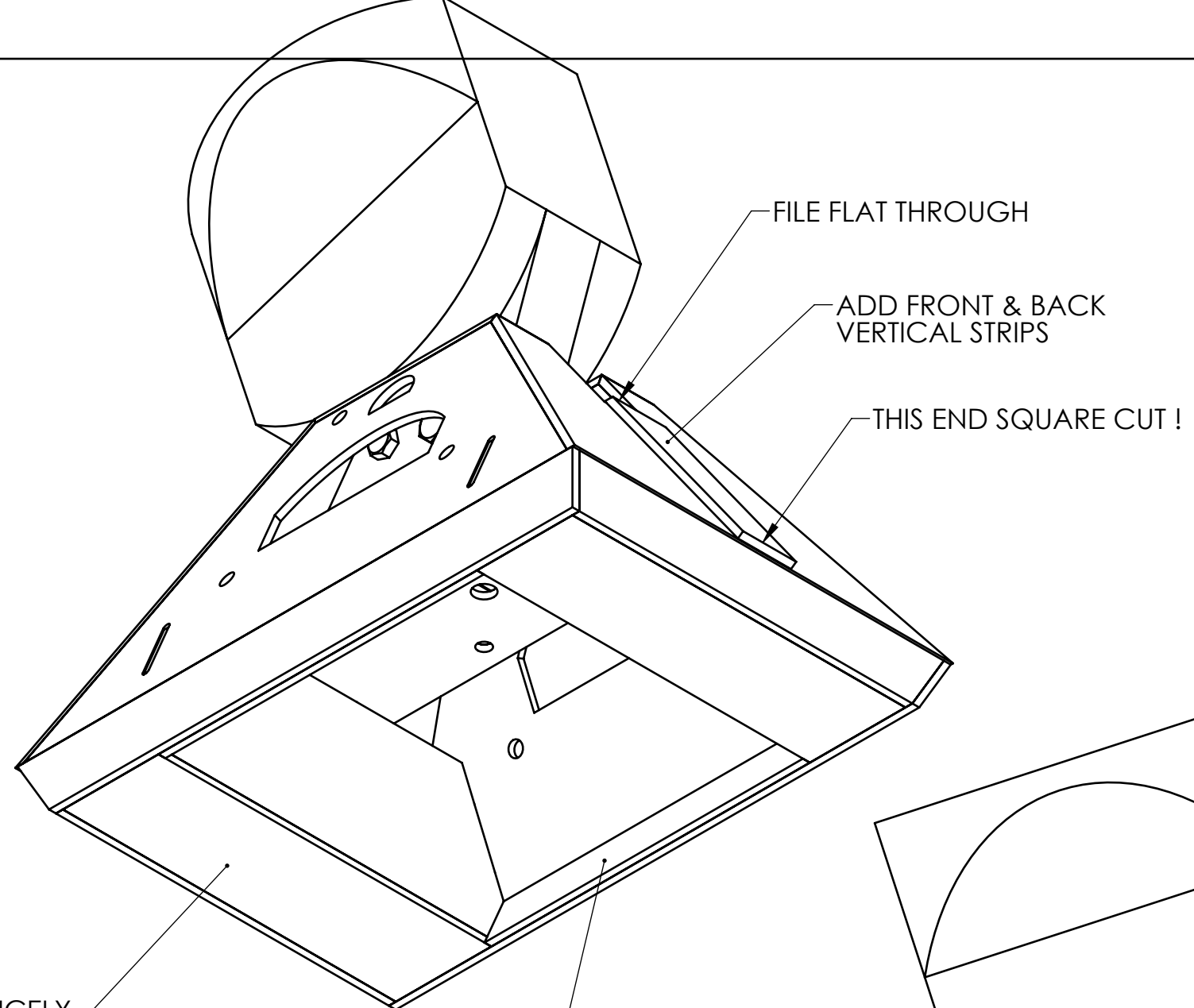
1mm STEP FOR  
FRONT SKIRT DETAILS

ADD BOTTOM SKIRTS  
ALL ROUND  
CHAMPHER EDGES FOR  
GOOD FIT TO MAIN BODY



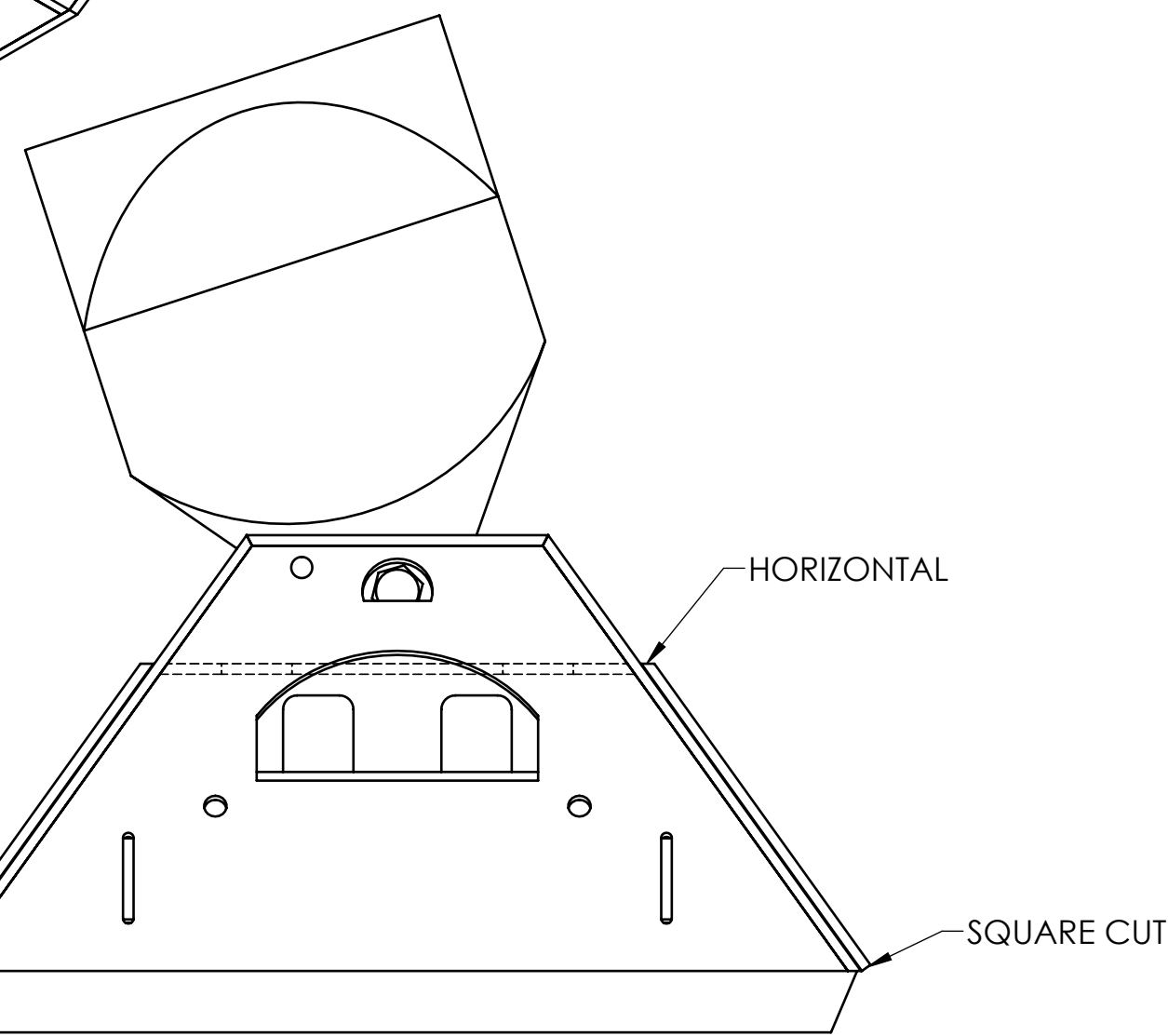
1 STEP

**STEP 6**

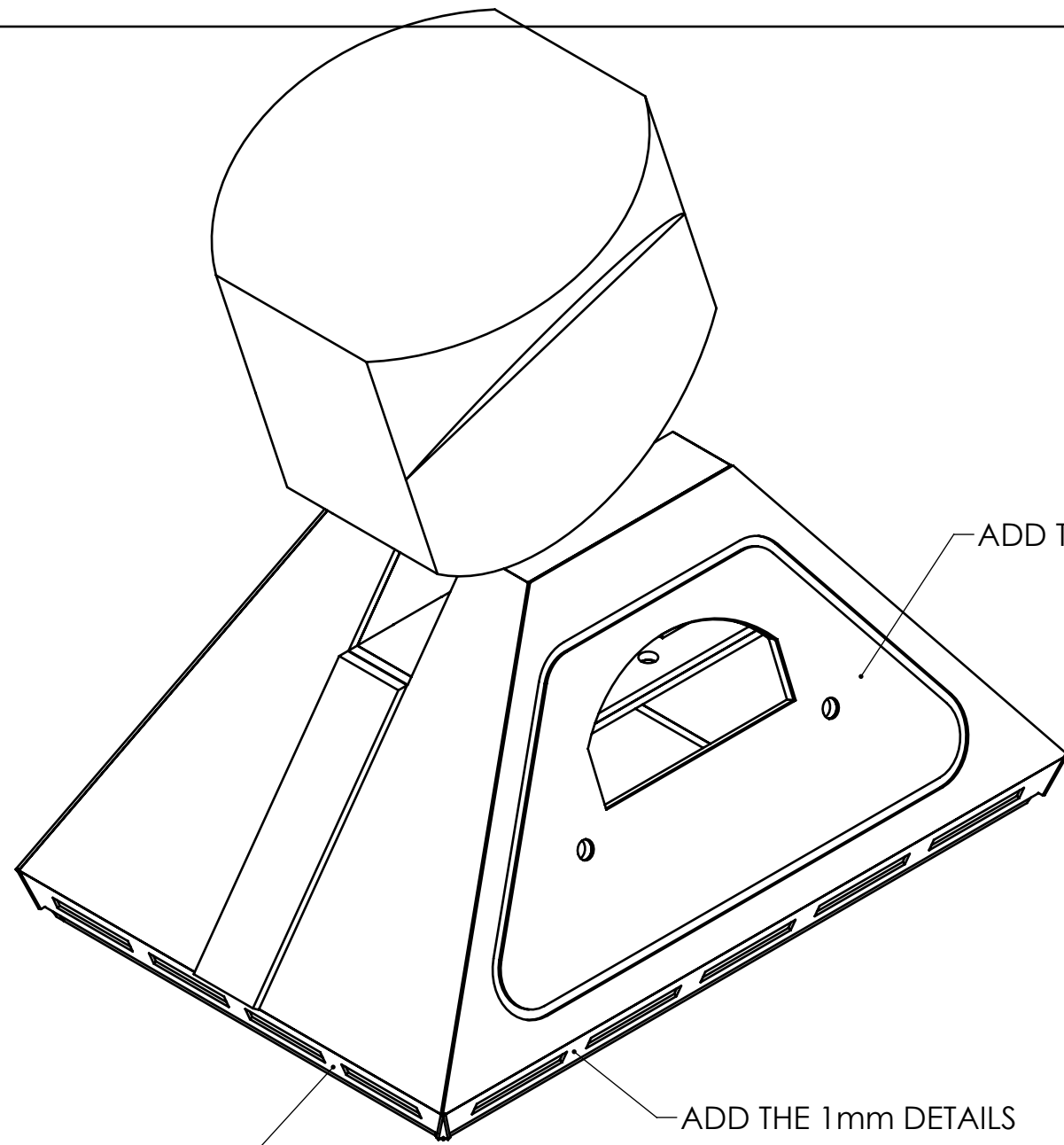


ADD BOTTOM FILL PLATES  
CHAMPHER SIDES TO FIT NICELY

SIDE STRIP DOUBLING PLATE



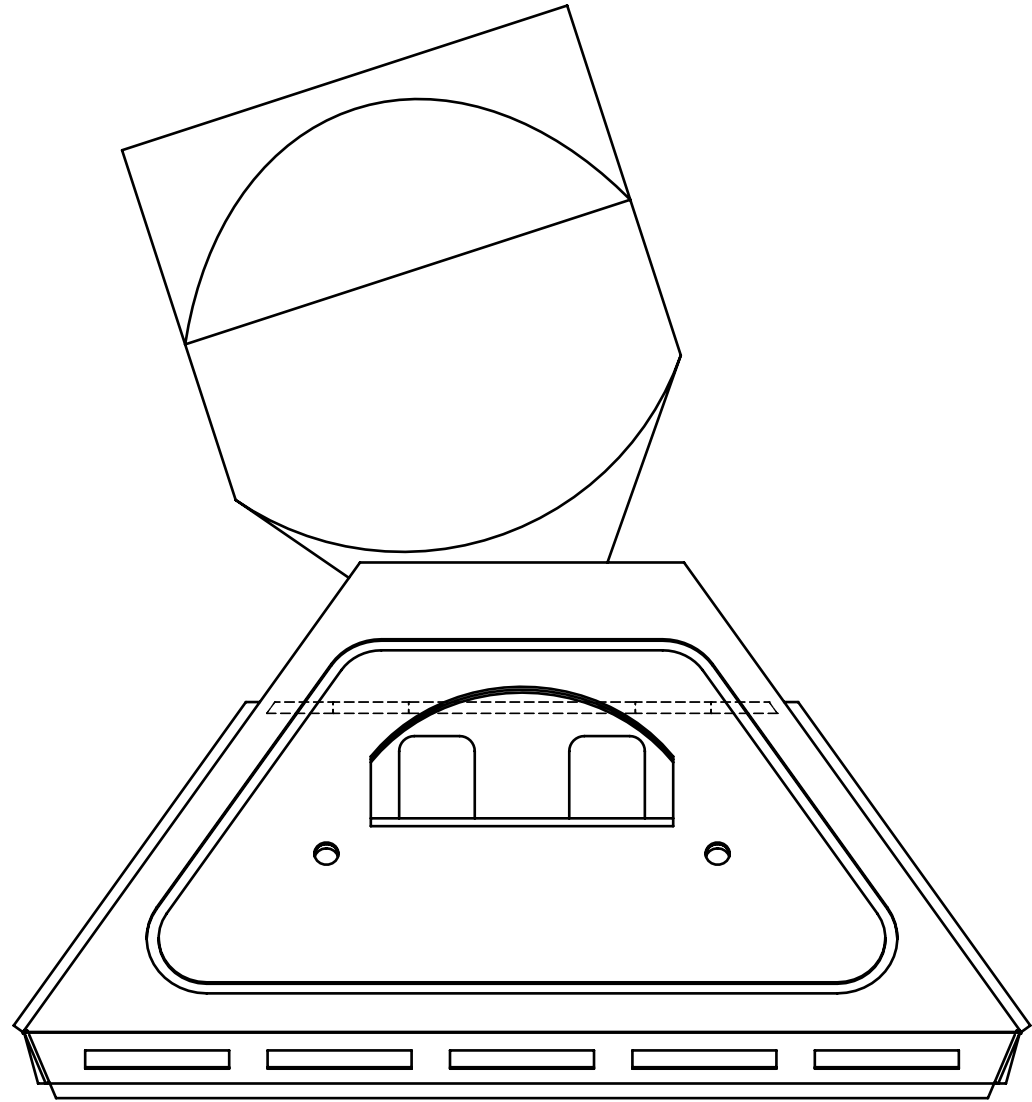
# STEP 7



ADD THE 1mm DETAILS

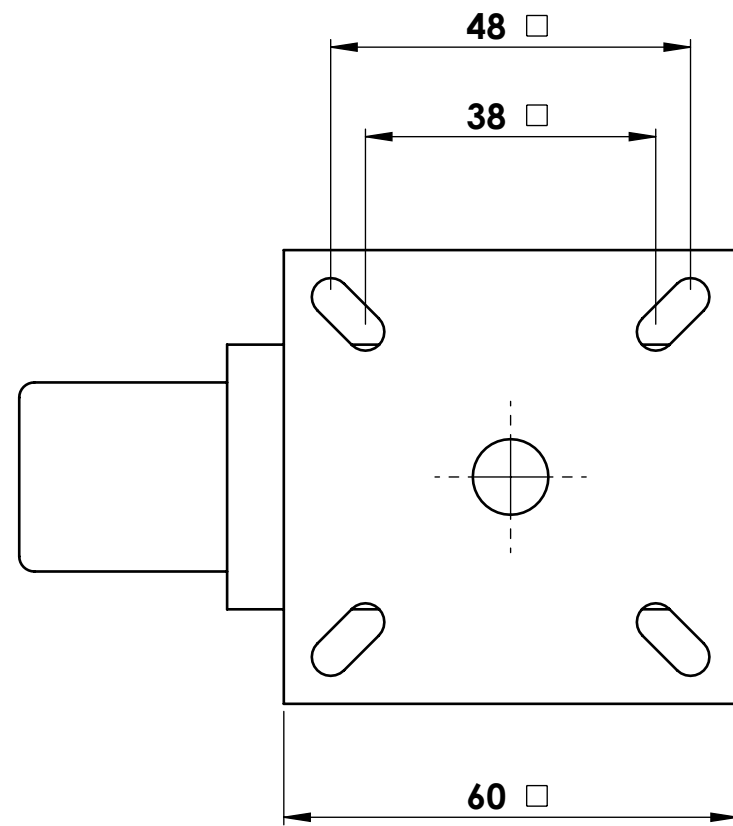
ADD THE 1mm DETAILS

ADD THE 1mm DETAILS

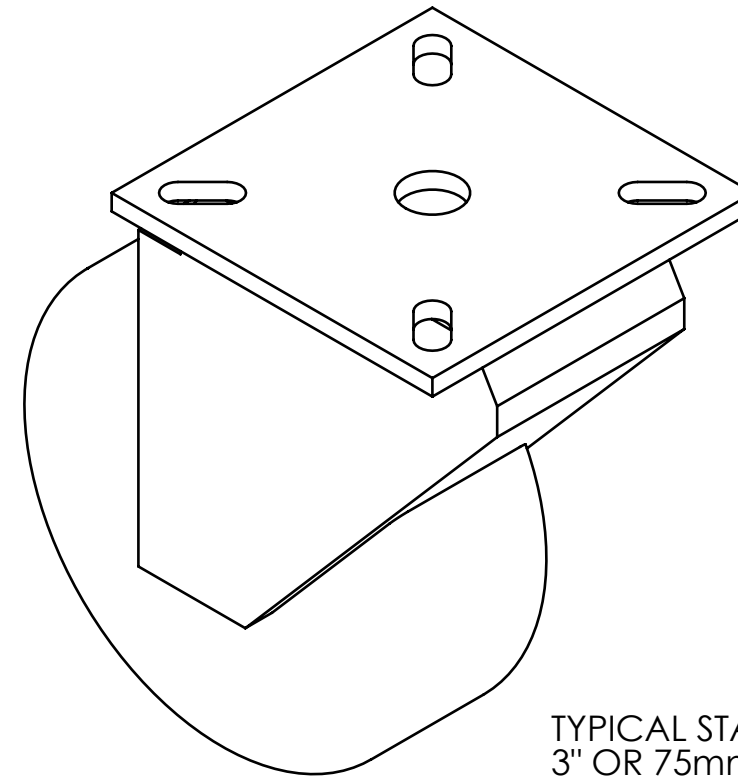
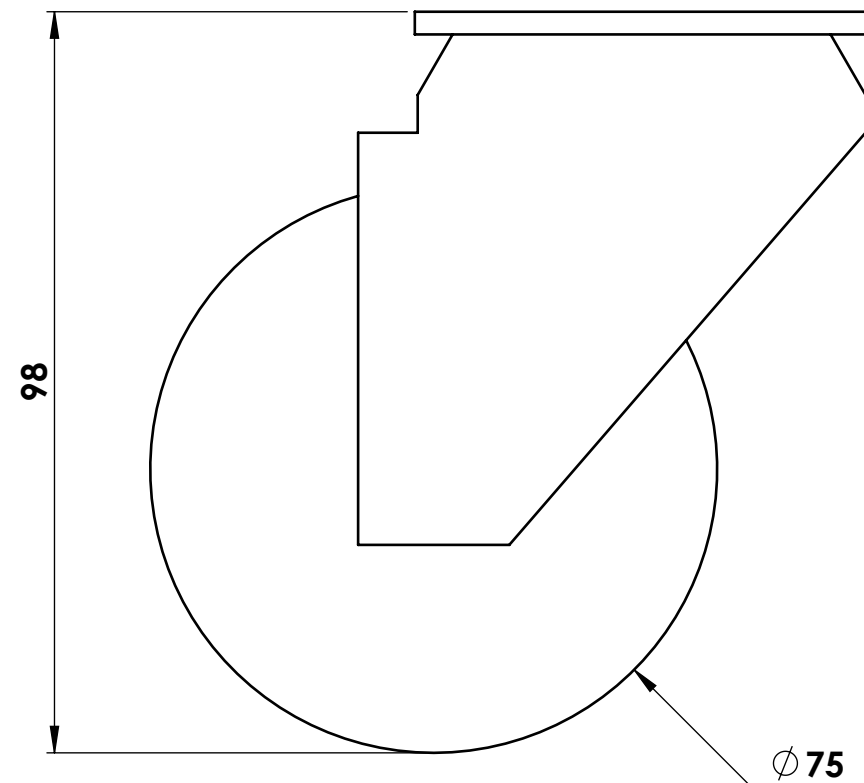
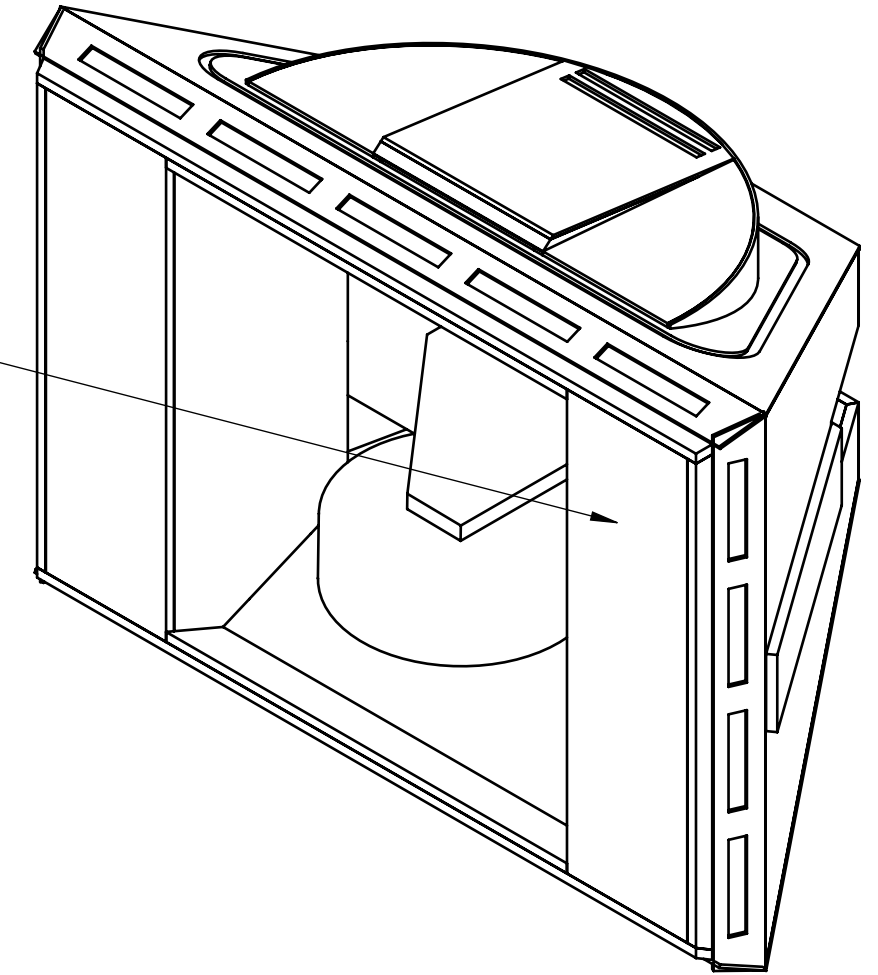


**STEP 8**





NEED 4off SCREWS TO SUITE  
YOUR NEW CASTER x 25mm LONG  
(M5 OR M6 DEPENDING ON THE CASTER YOU GOT)  
WITH:-  
NUT, WASHER & SPRING WASHER  
OR  
NYLOC NUT & WASHER

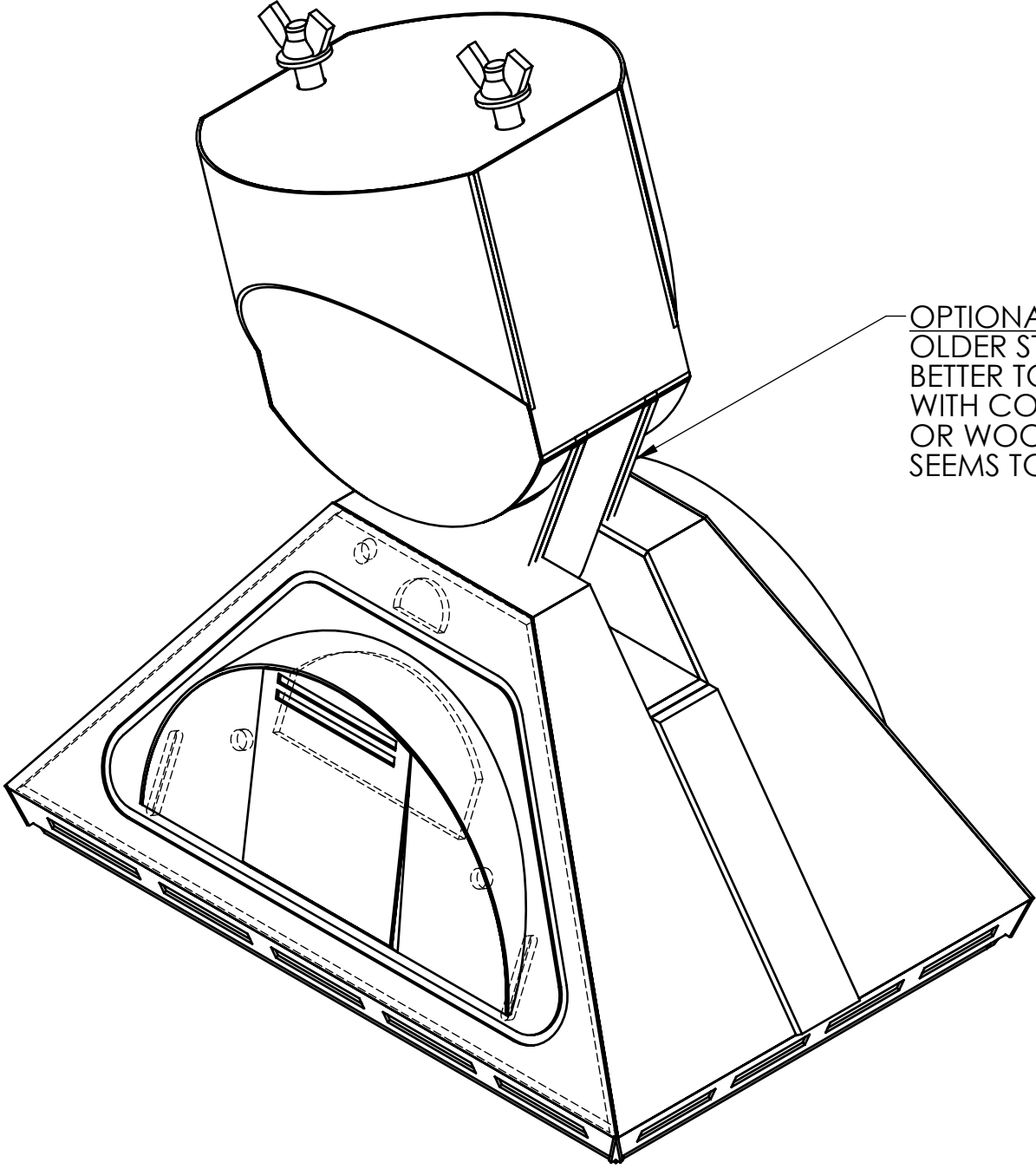


TYPICAL STANDARD CASTER  
3" OR 75mm CASTER

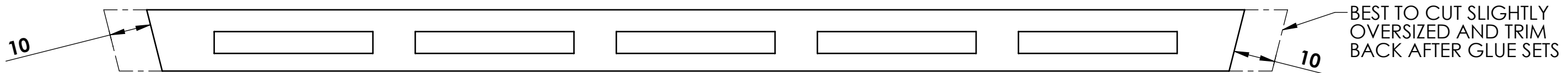
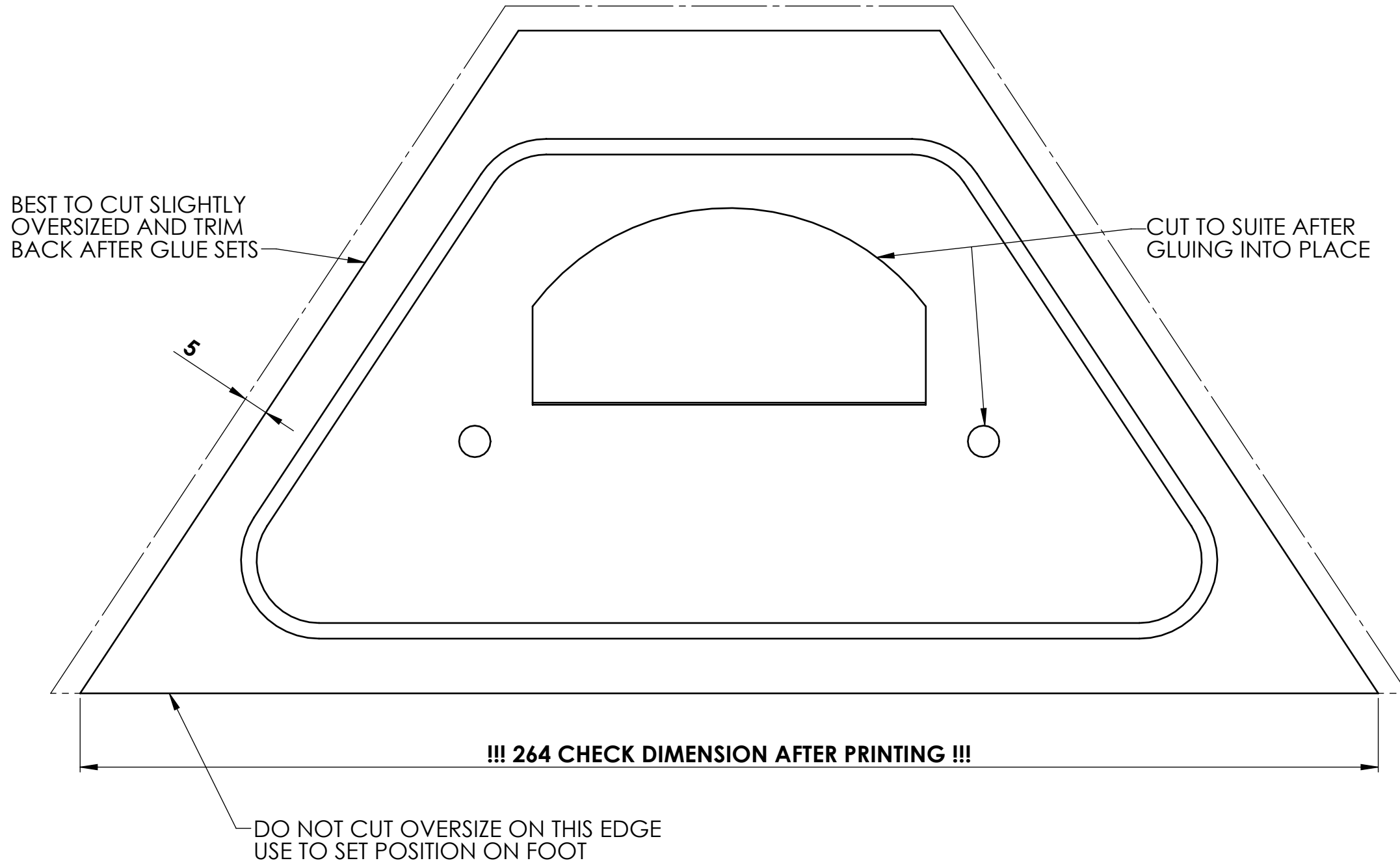
SUPPLIERS LIKE :-

- BUNNINGS or MASTERS
- MOST HARDWARE STORES
- RICHMOND WHEELS & CASTORS (S3710 or EQUIVILENT)
- FALLSHAW (05.75.GRY/20.78 or EQUIVILENT)
- eBAY

IDEALLY GET A CASTER WITH "BALL" BEARINGS  
(THE CHEAPER "BUSH" TYPE TEND TO SQUEAK AFTER A WHILE)



OPTIONAL  
OLDER STYLE ANKLE LOCKS.  
BETTER TO SCREW INTO PLACE  
WITH COUNTERSUNK SELF-TAPPING  
OR WOOD SCREW. 1 PER SIDE  
SEEMS TO DO THE TRICK



**1mm CUTTING**  
**PRINT "FULL SIZE" ON A3 PAPER**