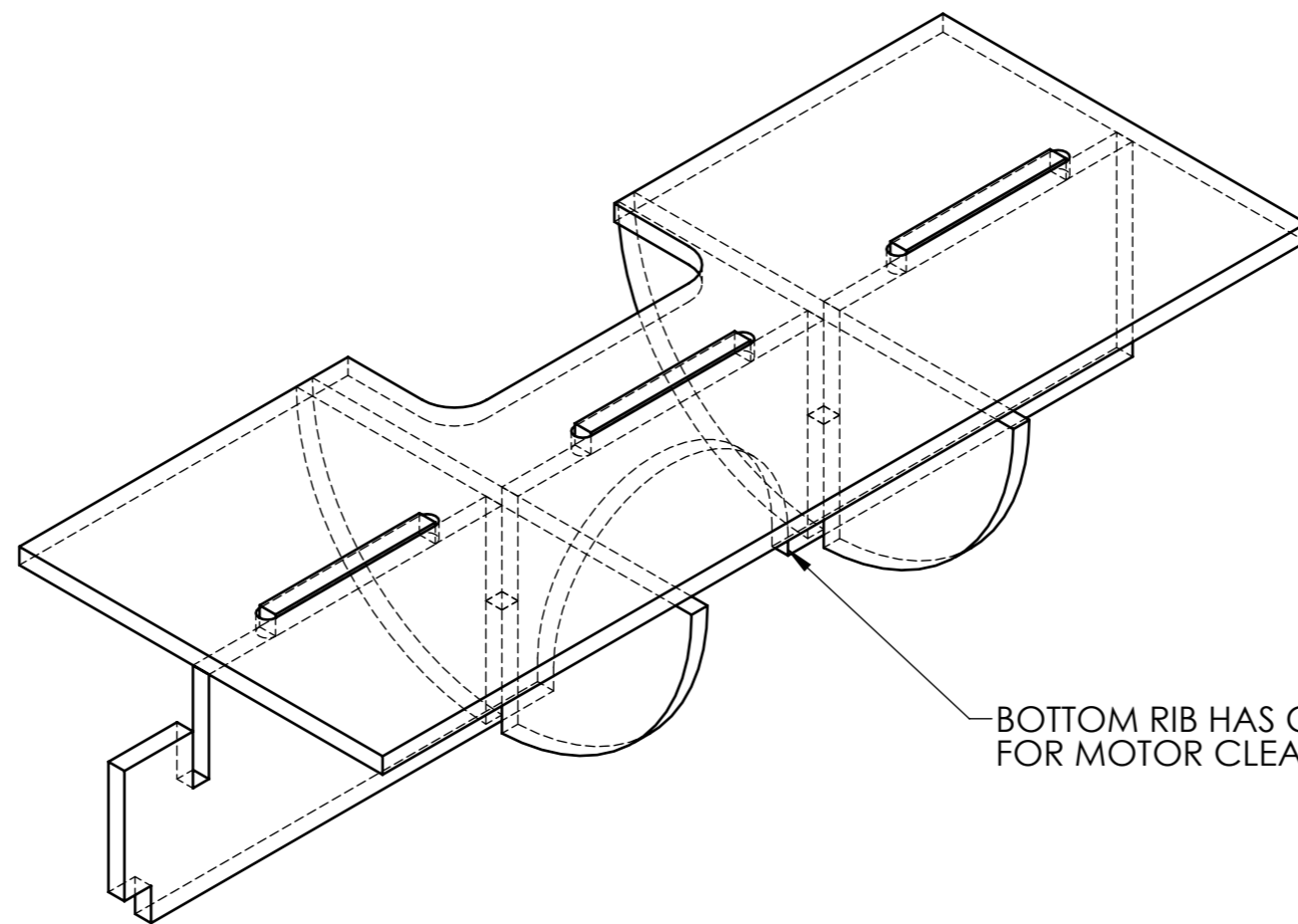
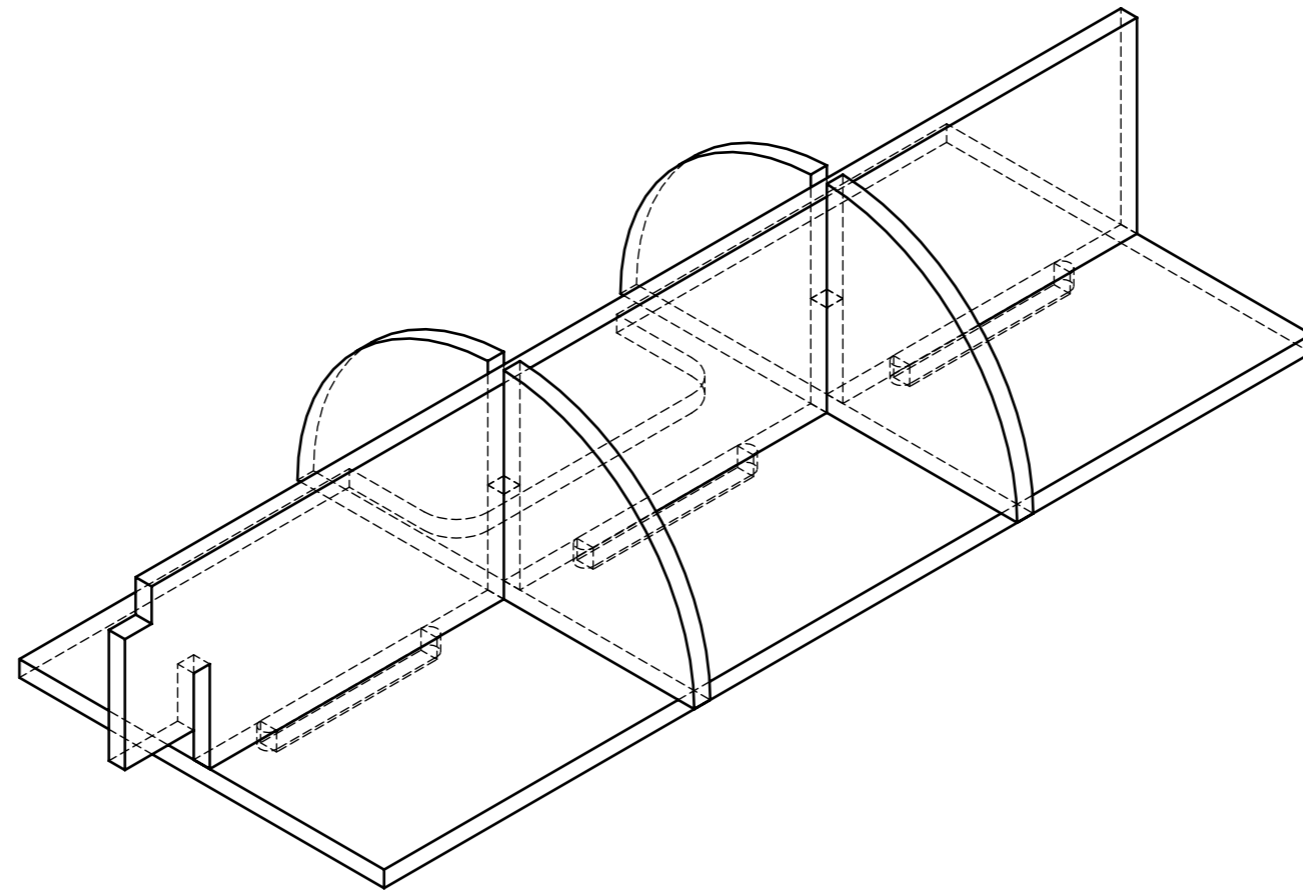


ITEM	DESCRIPTION	THK	ITEM MASS	QTY.	MASS
1	BATTERY - SIDE	3	0.07	1	0.1
2	BATTERY - COVER	3	0.03	1	0.0
3	BATTERY - TOP	3	0.03	2	0.1
4	BATTERY - END	3	0.04	1	0.0
5	BATTERY - END - FRONT	3	0.04	1	0.0
6	BATTERY - TOP RIB	3	0.02	1	0.0
7	BATTERY - TOP RIB	3	0.02	1	0.0
8	BATTERY - TOP ARC RIB	3	0.01	4	0.0
9	BATTERY - SHELF	3	0.00	1	0.0
10	BATTERY - LANDING	3	0.00	2	0.0
11	BATTERY - SHELF - NO HOLES	3	0.01	1	0.0
12	BATTERY - TAB	3	0.00	5	0.0
13	BATTERY - DOOR	3	0.04	1	0.0
14	ANH VERSION - OPTIONAL	3	0.01	1	0.0
15	<b>SKINS</b>			23	0.0
16	BATTERY - SKIN	1	0.10	1	0.1
17	<b>FASTENERS</b>				0.0
18	BATTERY HARNESS		0.06	2	0.1
19	OUTER FOOT - HOSE FITTING		0.03	2	0.1
20	<b>TOTAL</b>				<b>0.5</b>

NOTE  
 THE BATTERYBOX HAS BEEN DESIGNED TO HOUSE  
 A BATTERY.  
 PERSONAL CHOICE - 3 CELL LIPO

**!! NOTE !!**  
**1 off AS DRAWN (RH LEG)**  
**1 off OPPOSITE HAND (LH LEG)**

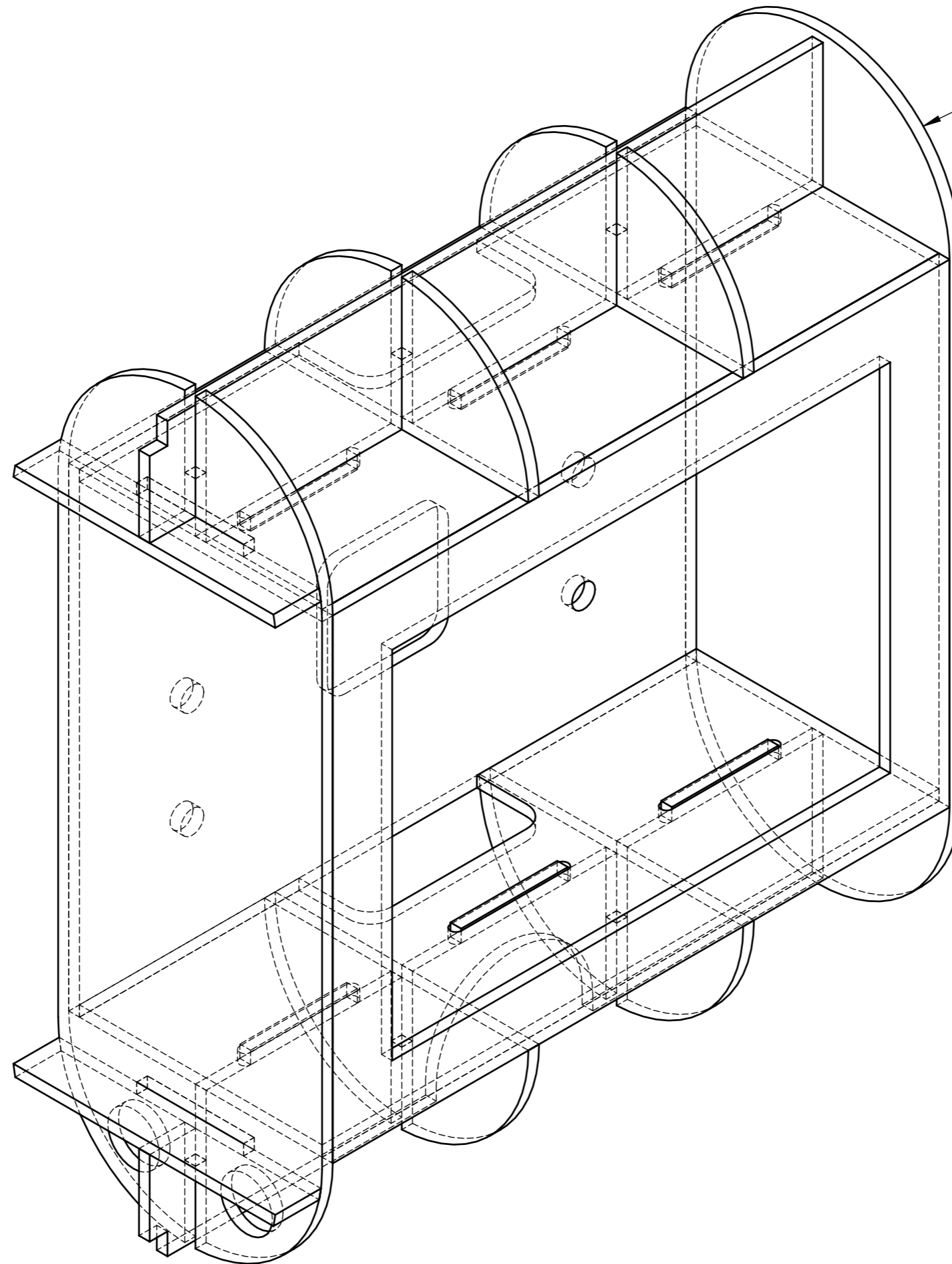
**IT IS ADVISED TO CUT 1mm PARTS OVERSIZED  
 AND TRIM BACK AFTER GLUE HAS SET**



BOTTOM RIB HAS CUT-OUT  
FOR MOTOR CLEARANCE

**DONT GLUE JUST YET !!**

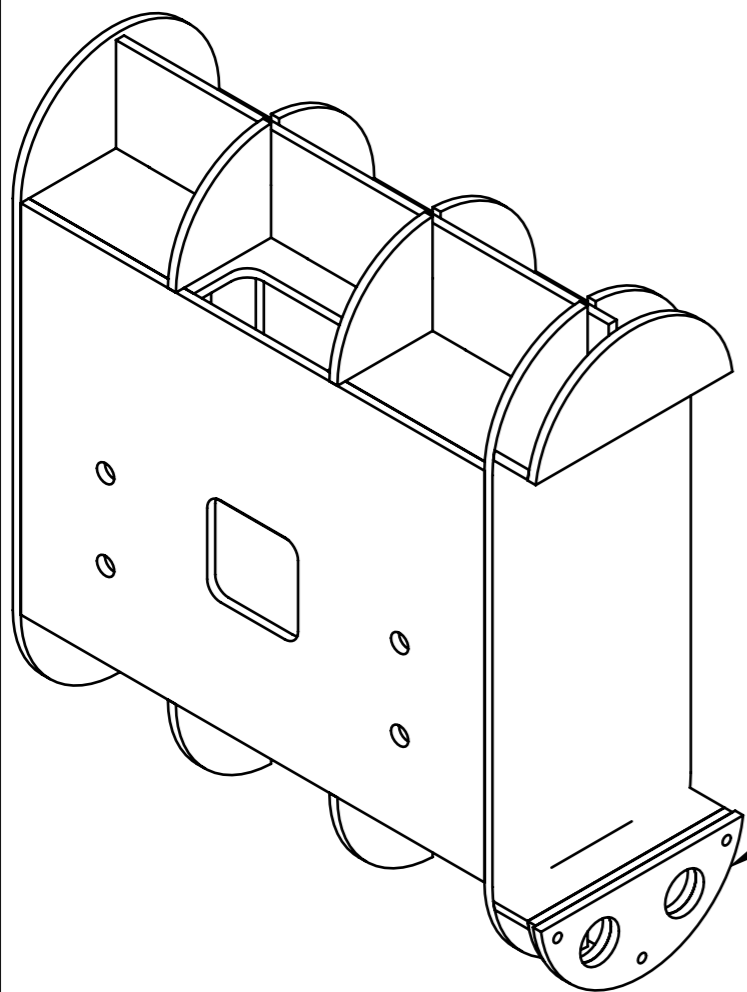
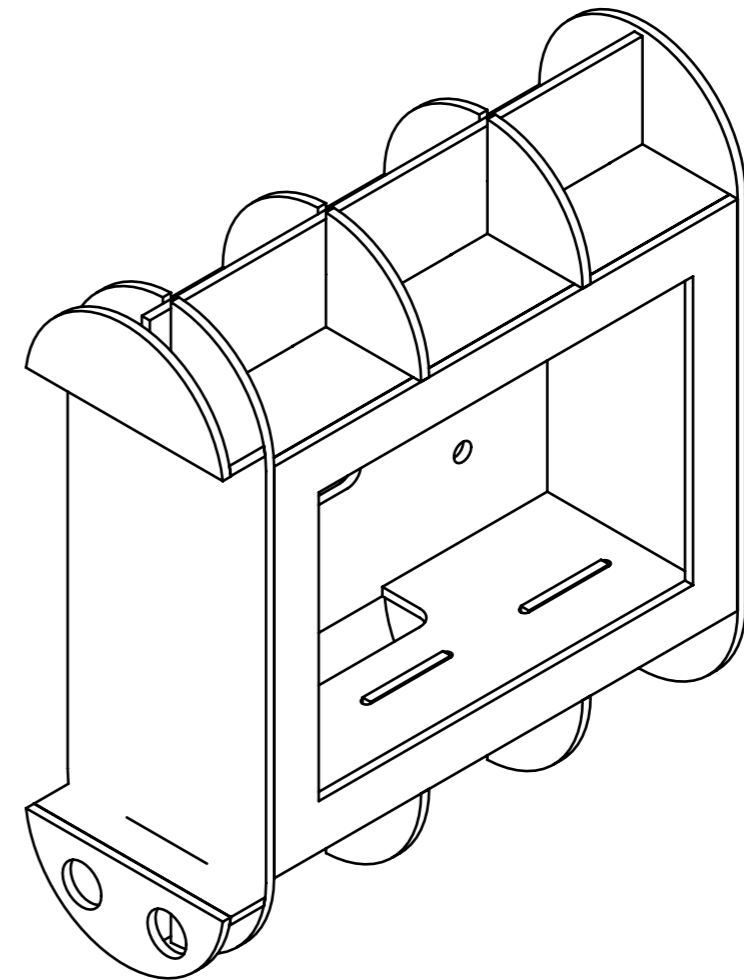
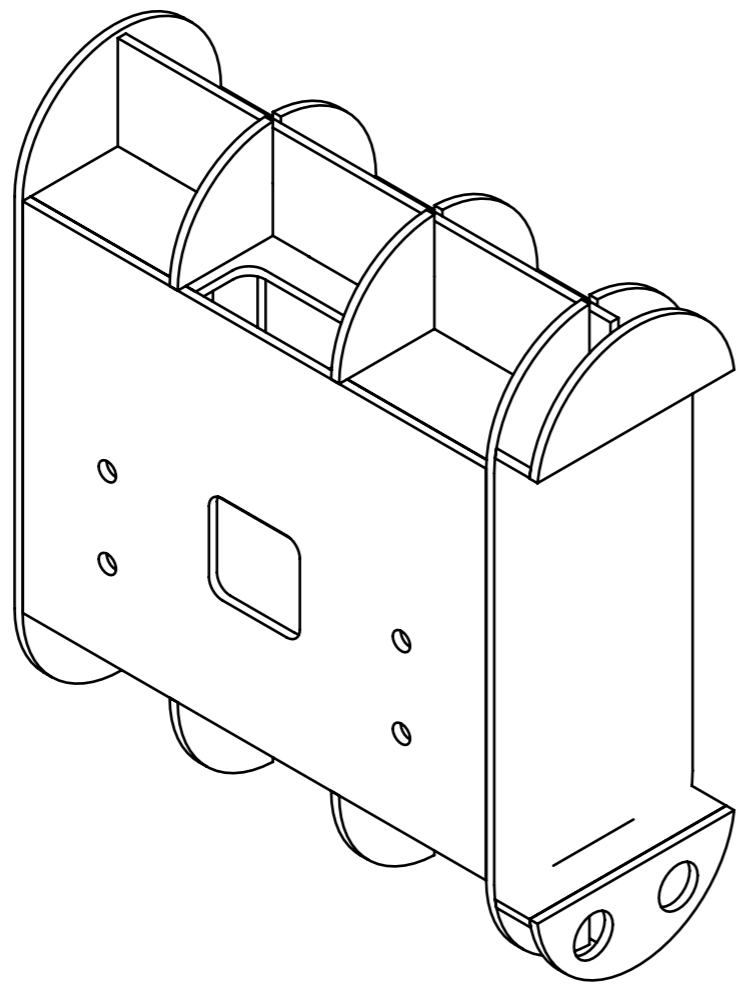
**STEP 1**



USE A STRAIGHT EDGE  
TO MAKE SURE ALL ARC'S  
ARE LEVEL BEFORE GLUEING

**DONT GLUE JUST YET !!**

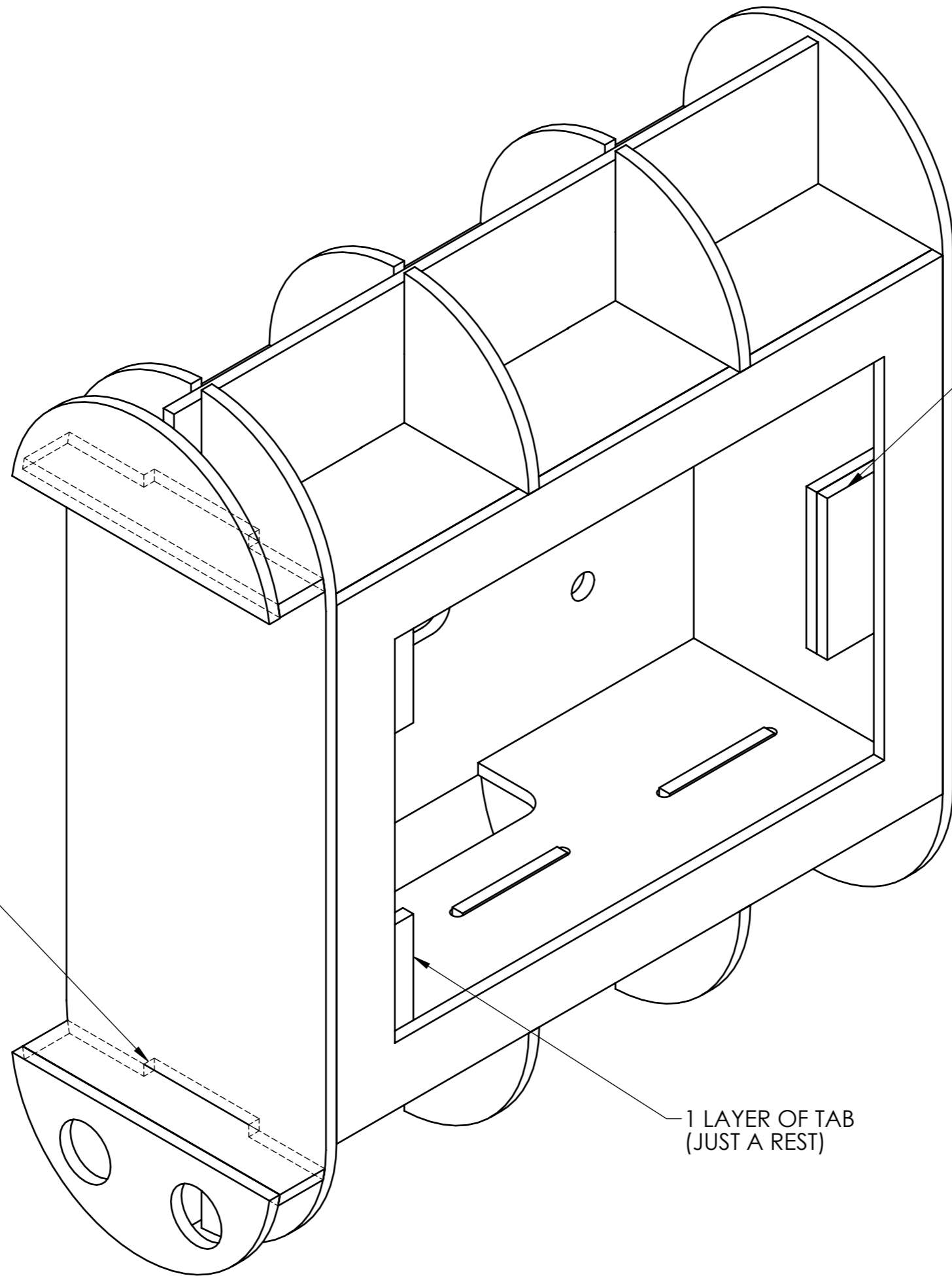
**STEP 2**



OPTIONAL ANH VERSION  
USE 3 REVITS FOR APPEARANCE

**OK, NOW YOU CAN GLUE !**

**STEP 3**



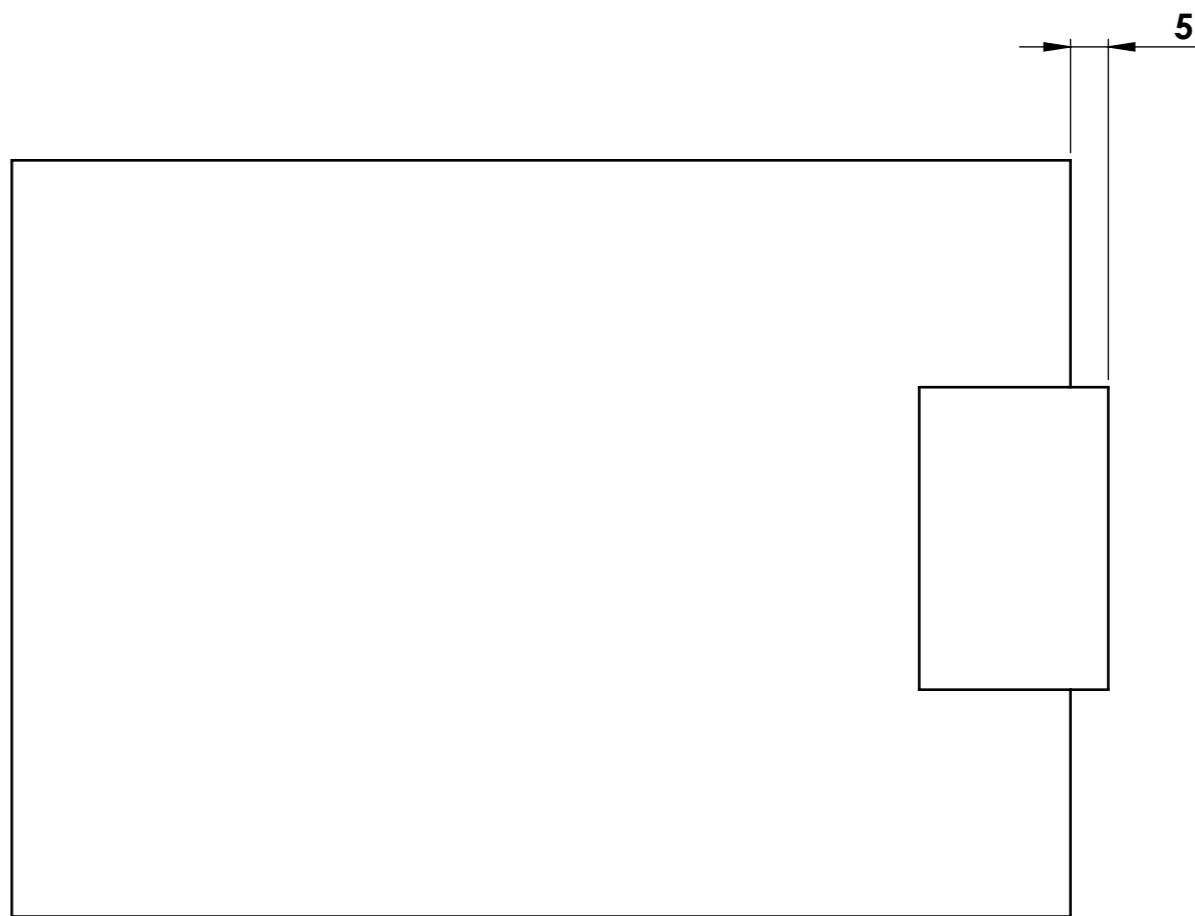
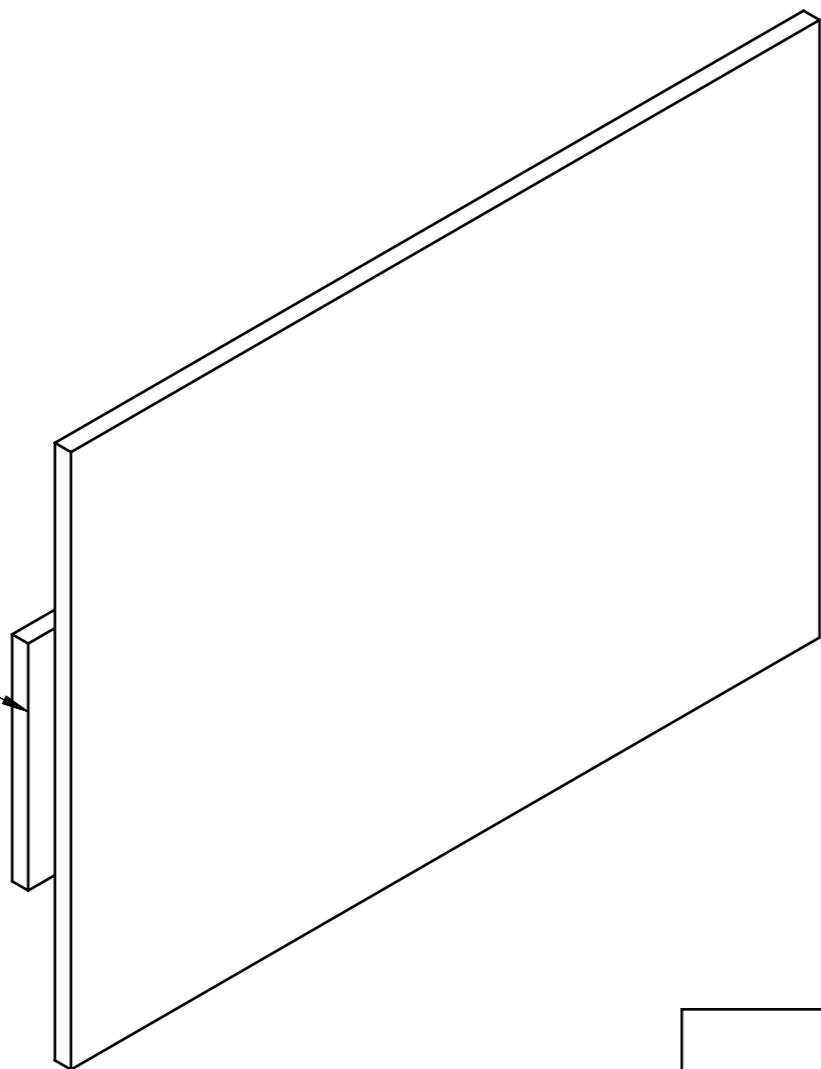
2 LAYERS OF TAB  
FOR SCREW TO SCREW INTO

FILE / CUT TAB CORNER  
SQUARE FOR NEATER FIT

1 LAYER OF TAB  
(JUST A REST)

# STEP 4

FIT TAB  
CENTRAL



**STEP 5**

GLUE BACK FACE  
WAIT TO CURE BEFORE  
PROCEEDING

525 LONG x 220 WIDE



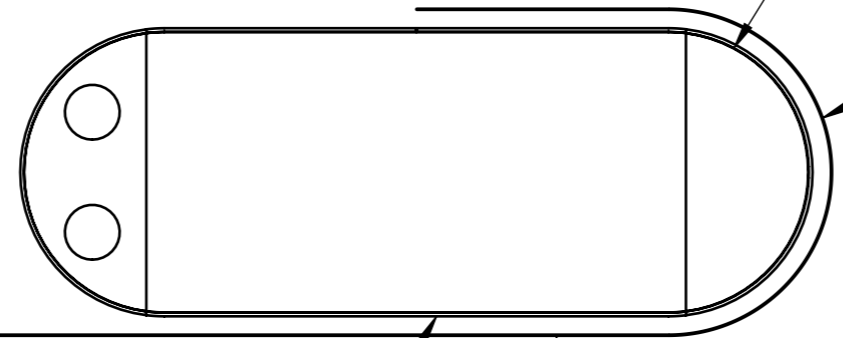
BIG DOOR  
THIS SIDE

WHEN SKINNING DO NOT  
PUT GLUE ON RIBS - ONLY END

ONLY GLUE  
END PIECES

PUSH / HOLD  
AND TAPE  
BOTH ENDS

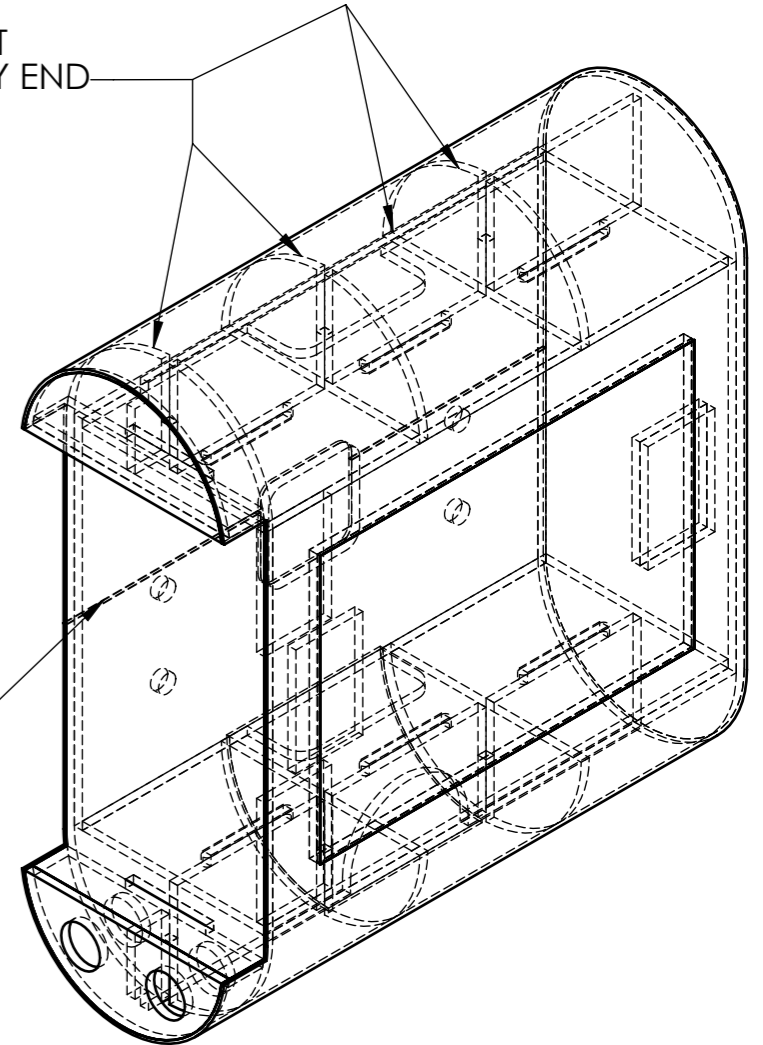
PULL ROUND !



START AT BACK  
AND WRAP IN  
1mm SKIN

GLUE FRONT FACE  
WAIT TO CURE BEFORE  
PROCEEDING

PUSH / HOLD

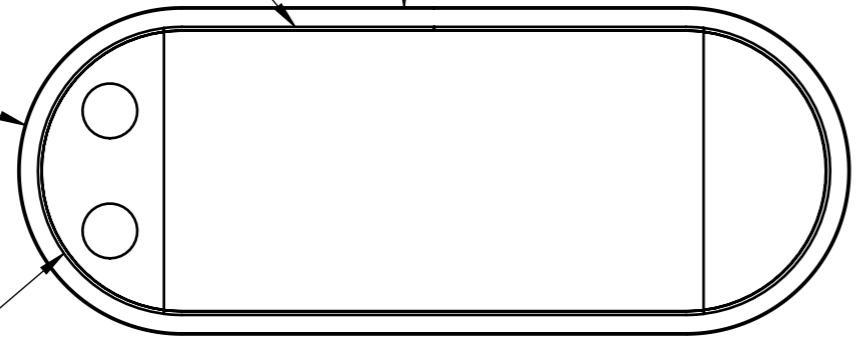


GLUE BACK FACE

PUSH / HOLD

PUSH / HOLD  
AND TAPE  
BOTH ENDS

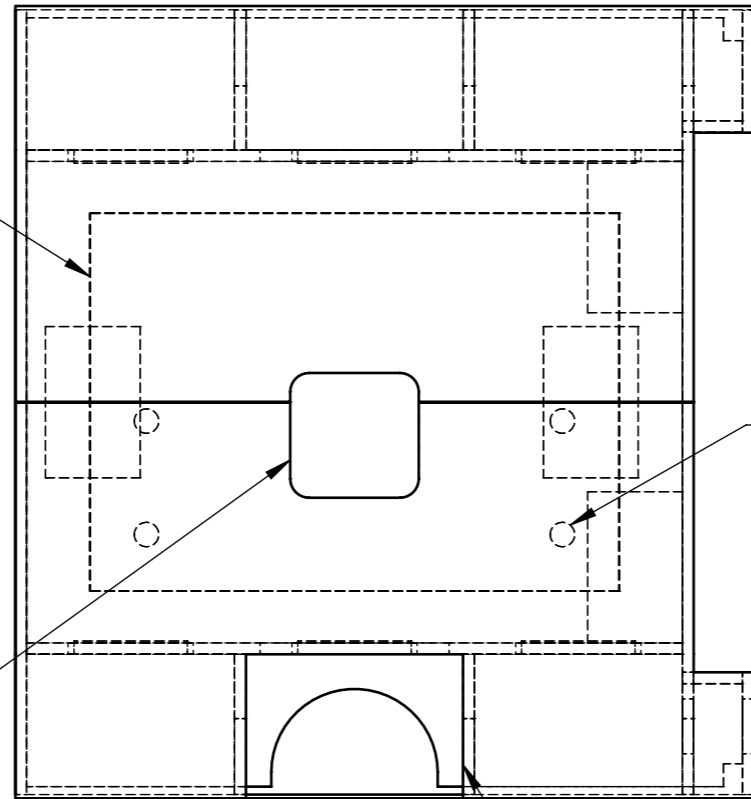
ONLY GLUE  
END PIECES



**STEP 6**

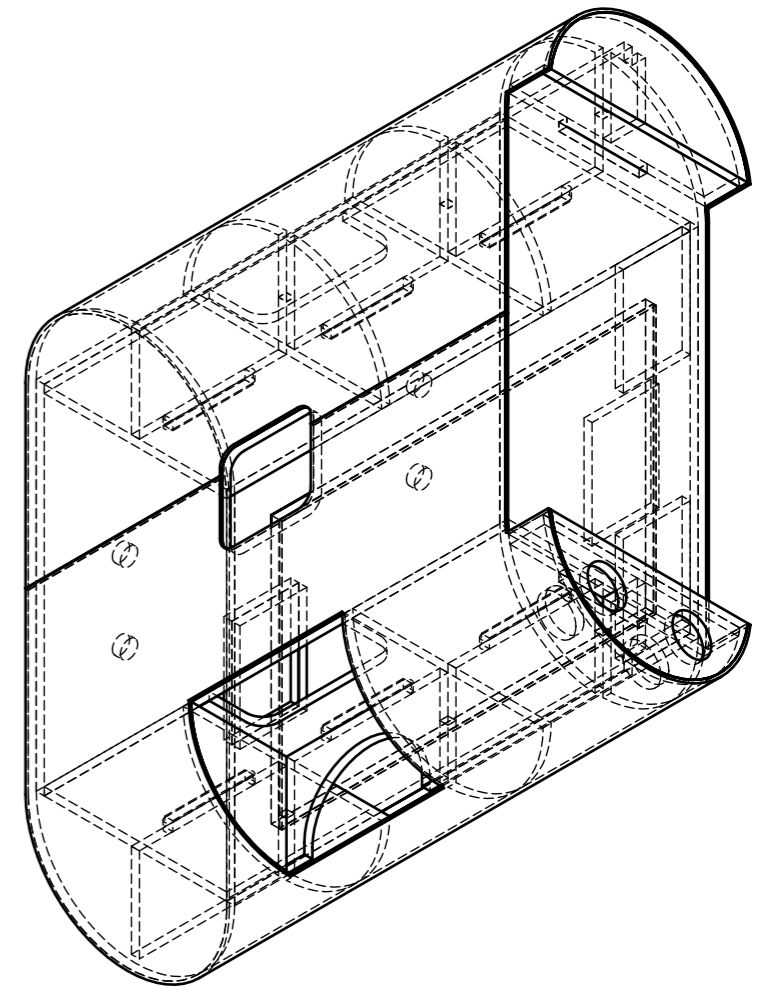
CUT 1mm DOOR  
OPENING  
(OTHER SIDE)

CUT 1mm OPEN  
ANKLE SCREW  
ACCESS



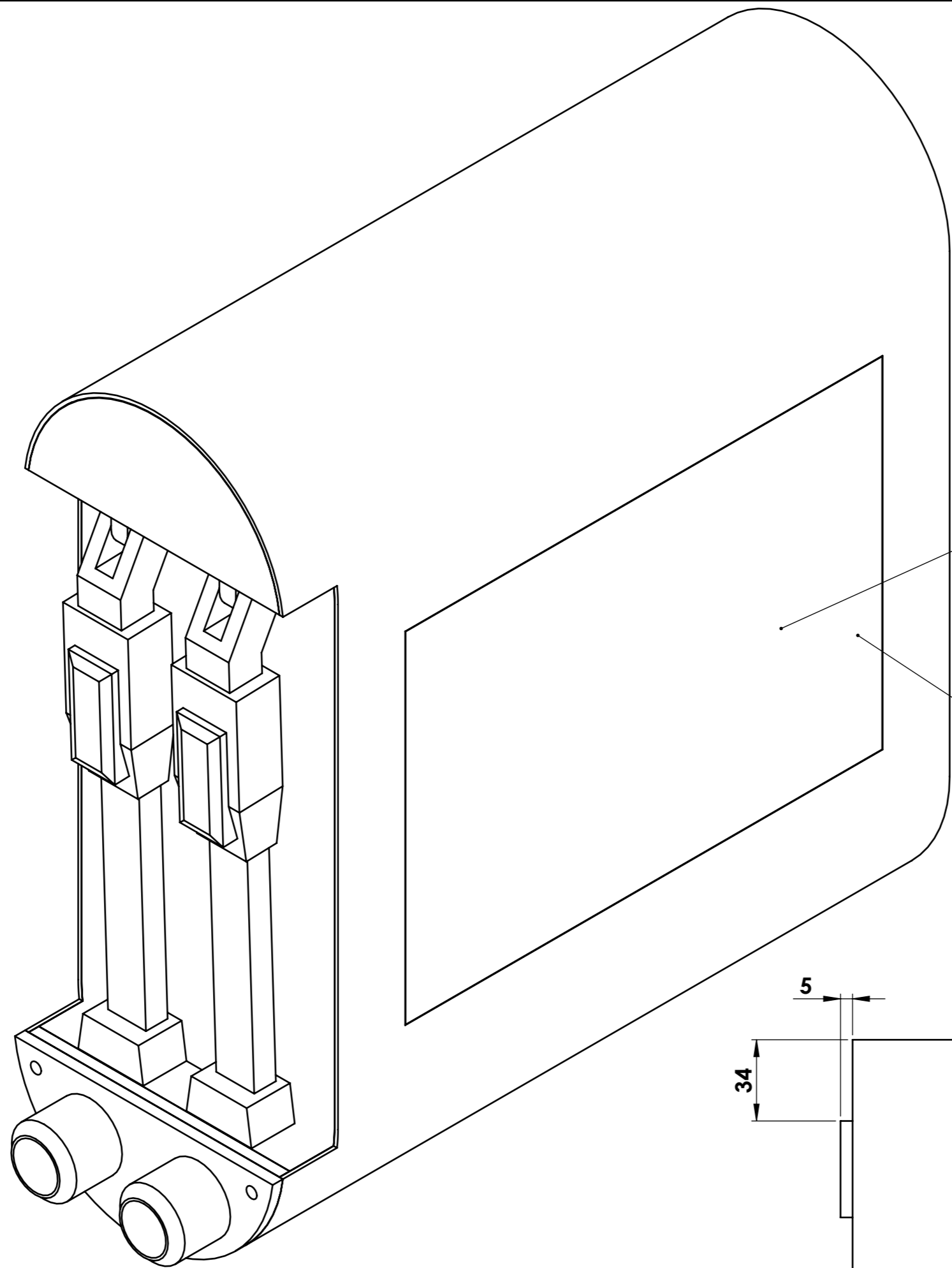
4x SCREW MOUNTING  
HOLES

CUT 1mm OPEN FOR  
MOTOR CLEARANCE



**STEP 7**

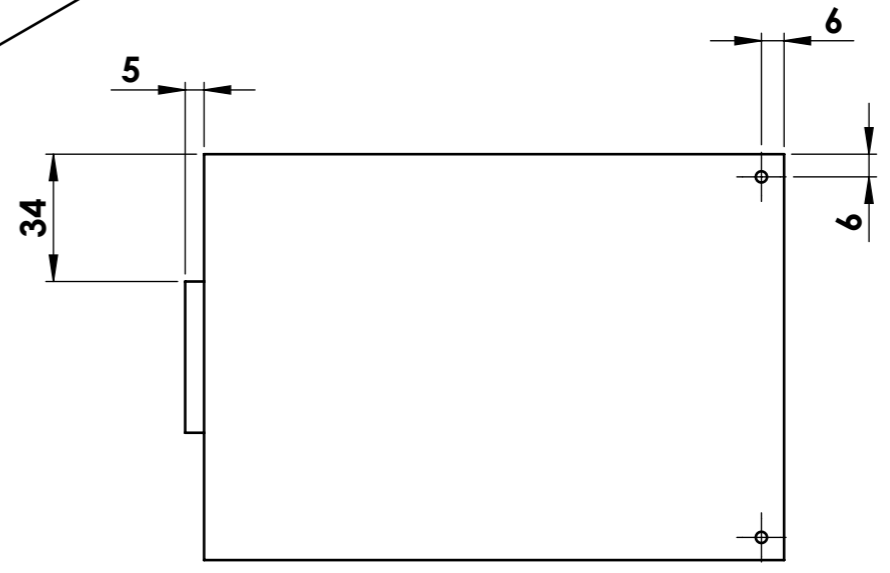




HAND FIT DOOR & SKIN TO SUITE

- DRILL THROUGH SKIN, DOOR & TAB  $\phi 2.5$
- TAP "2 TABS" M3
- DRILL OUT DOOR TO  $\phi 3$  AND COUNTERSINK AFTER SKINNING

(COULD USE SELF-TAPPING OR WOOD SCREW)



# STEP 8