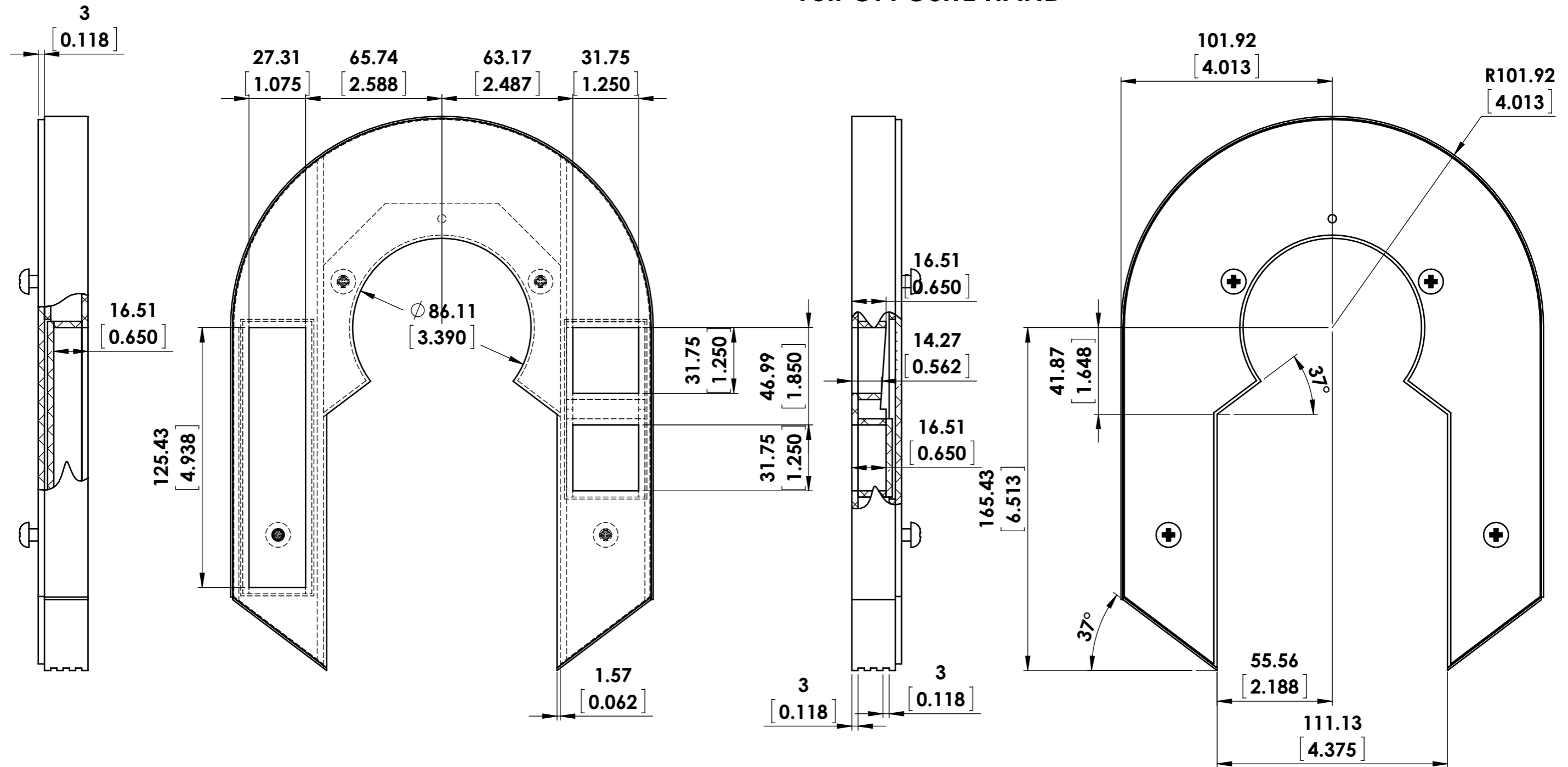
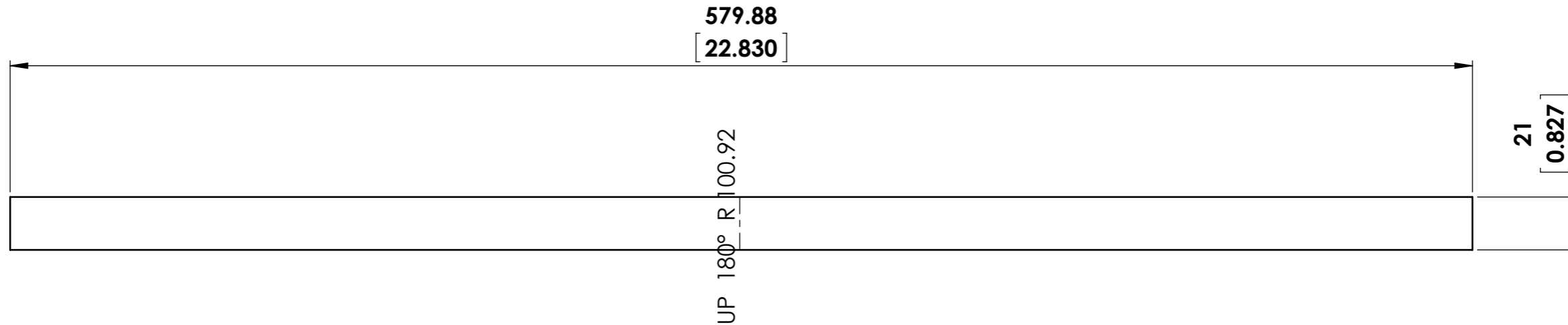


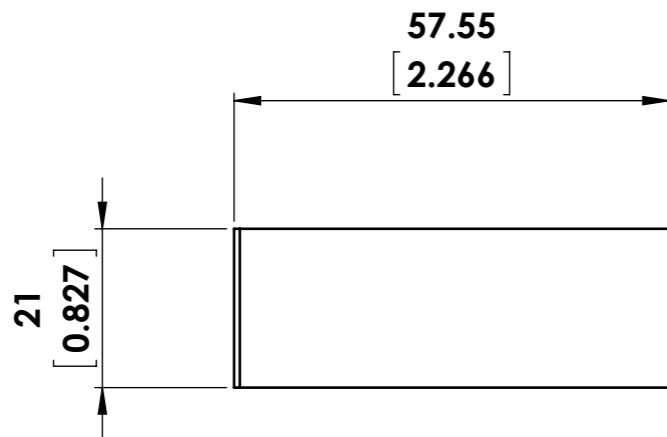
1 off AS DRAWN (RHS)
1 off OPPOSITE HAND



UNLESS OTHERWISE SPECIFIED: DIMENSIONS ARE IN MILLIMETERS SURFACE FINISH: TOLERANCES: LINEAR: ANGULAR:				FINISH:		DEBUR AND BREAK SHARP EDGES		DO NOT SCALE DRAWING		REVISION A	
								TITLE:			
DRAWN	NAME	SIGNATURE	DATE	DRG DATE							
CHK'D	CHECK		CHK DATE								
APPV'D	R. RUDD		ENG DATE								
MFG	R.CARTER		TECH DATE								
Q.A							MATERIAL:	DWG NO. SHOULDER ASSEMBLY Y3			
				WEIGHT: 394.73				SCALE: 1:2		SHEET 1 OF 14	



!! HALF SIZE !!
1off REQUIRED

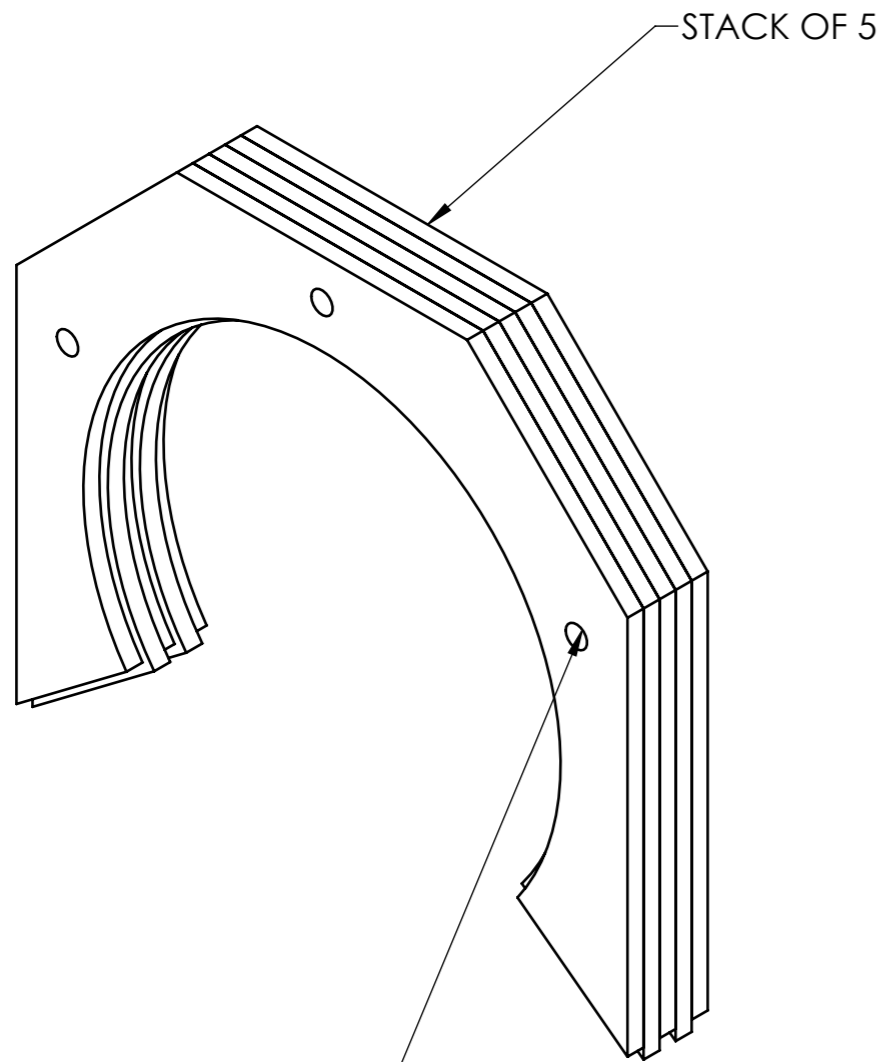


!! FULL SIZE !!
2off REQUIRED

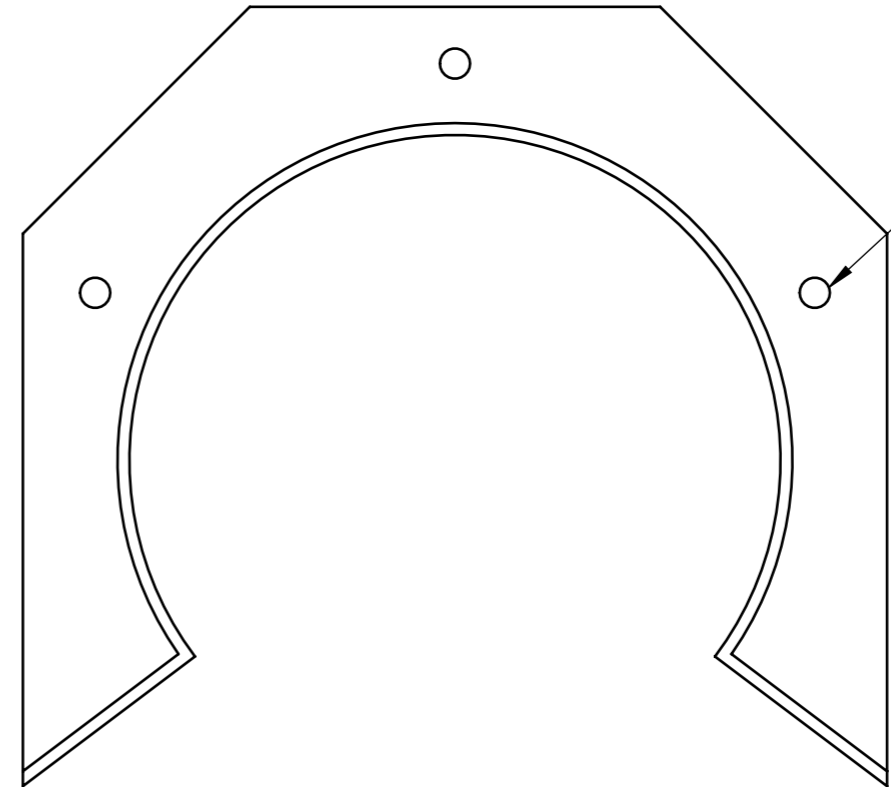
**IT IS BETTER TO MAKE 1mm PARTS
LARGER THAN REQUIRED, AND THEN
TRIM BACK ONCE GLUED IN POSITION**

UNLESS OTHERWISE SPECIFIED: DIMENSIONS ARE IN MILLIMETERS SURFACE FINISH: TOLERANCES: LINEAR: ANGULAR:				FINISH:		DEBUR AND BREAK SHARP EDGES		DO NOT SCALE DRAWING		REVISION A	
								TITLE:			
DRAWN				NAME		SIGNATURE		DATE		DRAWN	
CHK'D				CHECK				CHK DATE		DRAWN	
APPV'D				R. RUDD				ENG DATE		DRAWN	
MFG				R.CARTER				TECH DATE		DRAWN	
Q.A								MATERIAL:		DRAWN	
								ABS		DRAWN	
								WEIGHT: 0.01		DRAWN	
								SCALE:1:1		DRAWN	
								SHEET 2 OF 14		DRAWN	

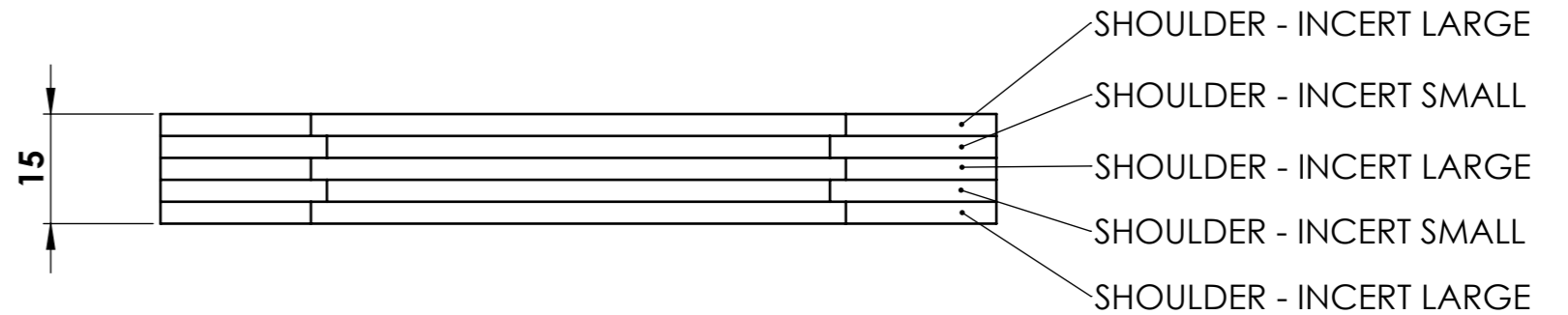
SHOULDER - OUTER SKIN
SHOULDER ASSEMBLY



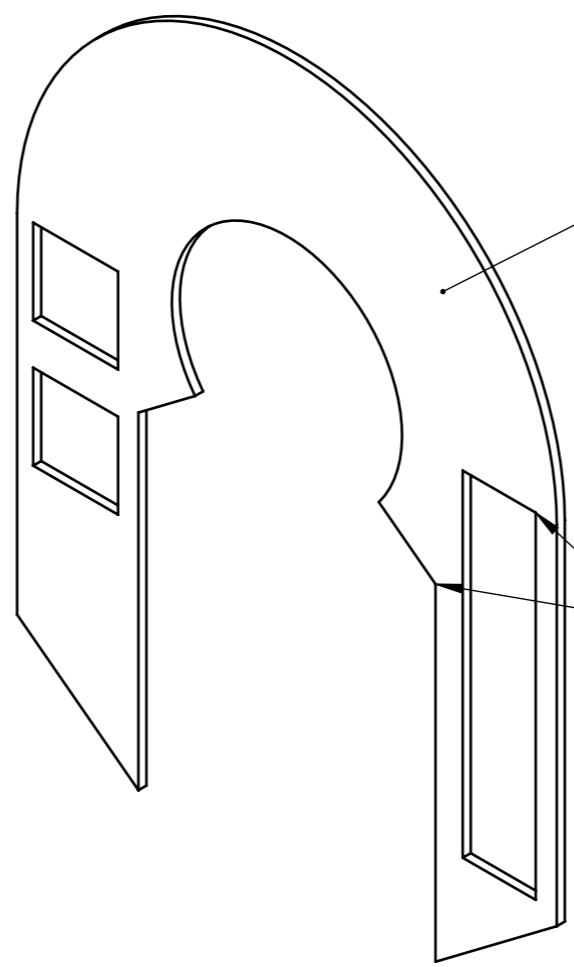
DIA 6 ALIGNING HOLES
CAN USE THE SHANK OF A 6mm
DRILL, OR SIMILAR TO ENSURE CURRENT
ALIGNMENT OF PARTS



NOTE:
INCERT LARGE HAS 3 HOLES
INCERT SMALL ONLY HAS 2



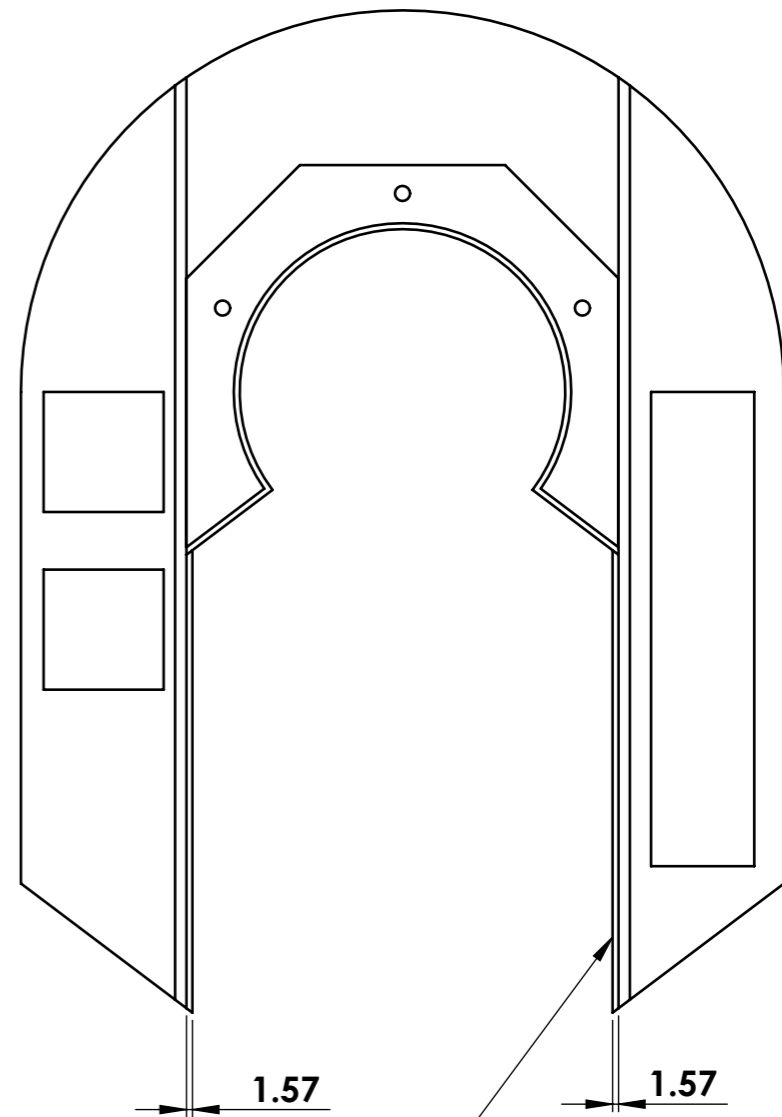
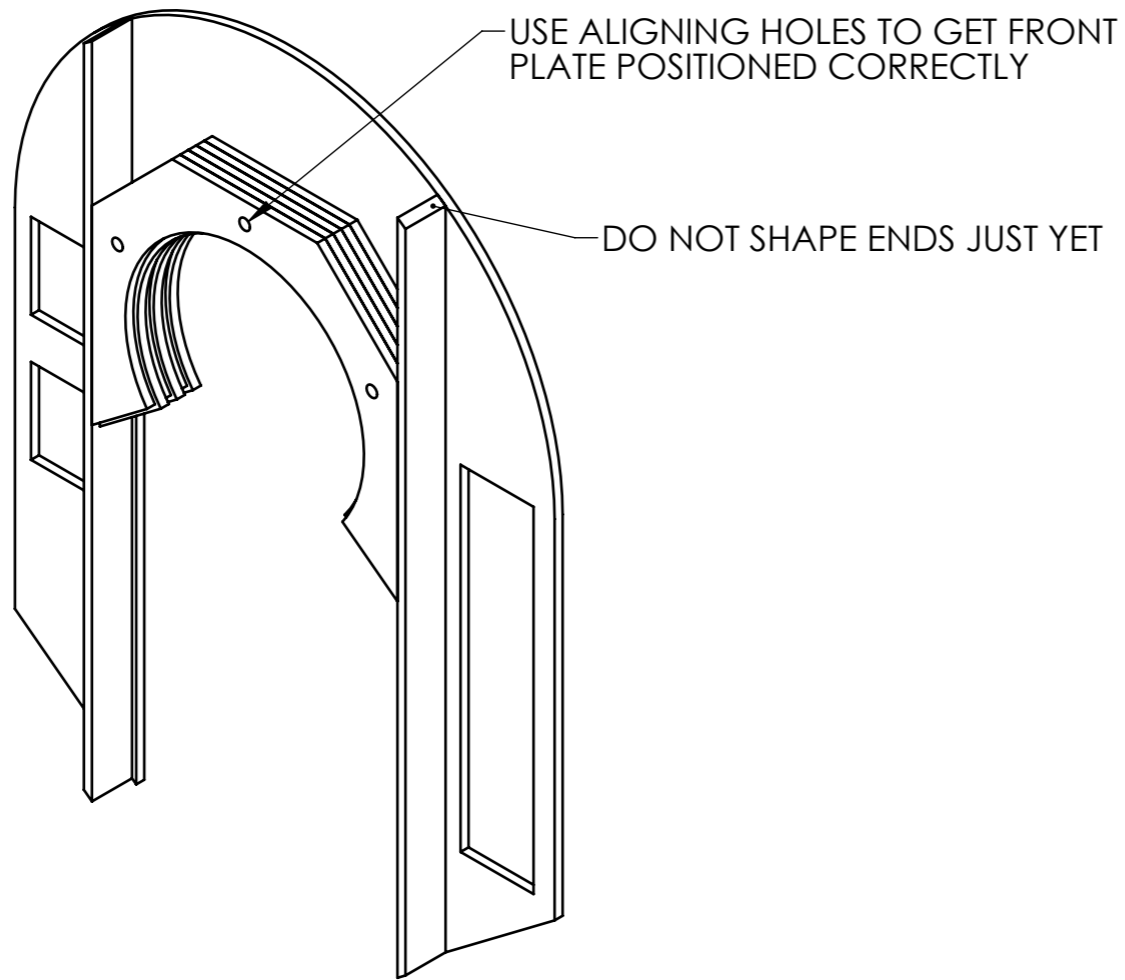
UNLESS OTHERWISE SPECIFIED: DIMENSIONS ARE IN MILLIMETERS SURFACE FINISH: TOLERANCES: LINEAR: ANGULAR:				FINISH:		DEBUR AND BREAK SHARP EDGES		DO NOT SCALE DRAWING		REVISION A	
								TITLE:			
DRAWN	NAME DRAWN	SIGNATURE	DATE DRG DATE								
CHK'D	CHECK		CHK DATE								
APPV'D	R. RUDD		ENG DATE								
MFG	R.CARTER		TECH DATE								
Q.A						MATERIAL:		DRAWING NO SHOULDER ASSEMBLY			
						WEIGHT: 394.73		SCALE: 1:1		SHEET 3 OF 14	



NOTE: NO ALIGNING HOLES

WITH A KNIFE & FILE, SQUARE-OFF ALL INTERNAL CORNERS (14 LOCATIONS)

UNLESS OTHERWISE SPECIFIED: DIMENSIONS ARE IN MILLIMETERS SURFACE FINISH: TOLERANCES: LINEAR: ANGULAR:				FINISH:		DEBUR AND BREAK SHARP EDGES		DO NOT SCALE DRAWING		REVISION A	
	NAME	SIGNATURE	DATE					TITLE:			
DRAWN	DRAWN		DRG DATE								
CHK'D	CHECK		CHK DATE								
APPV'D	R. RUDD		ENG DATE								
MFG	R.CARTER		TECH DATE								
Q.A				MATERIAL:			DWG NO		SHOULDER ASSEMBLY 13		
				WEIGHT: 394.73			SCALE:1:2				
								SHEET 4 OF 14			

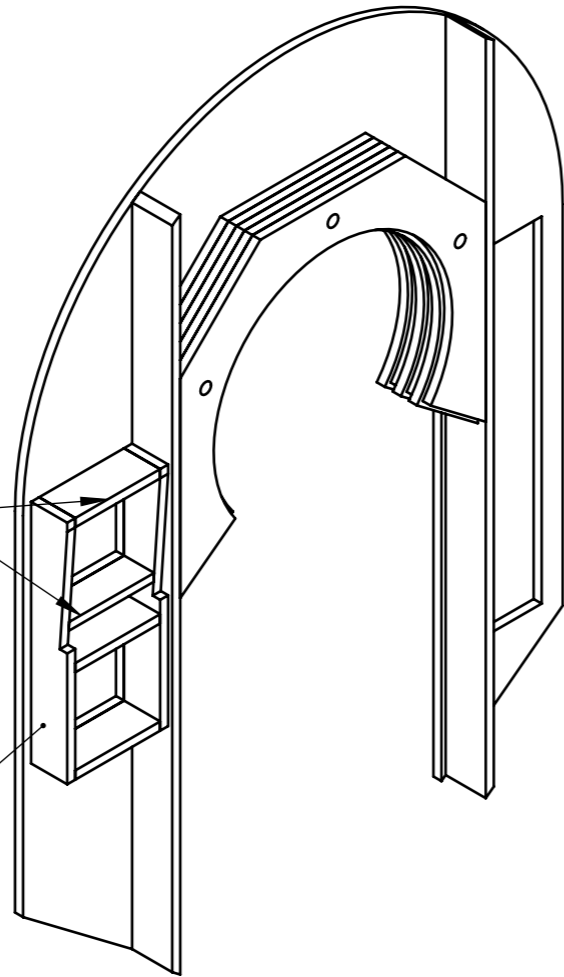


CHECK THAT THERE IS EVEN GAP BOTH SIDES

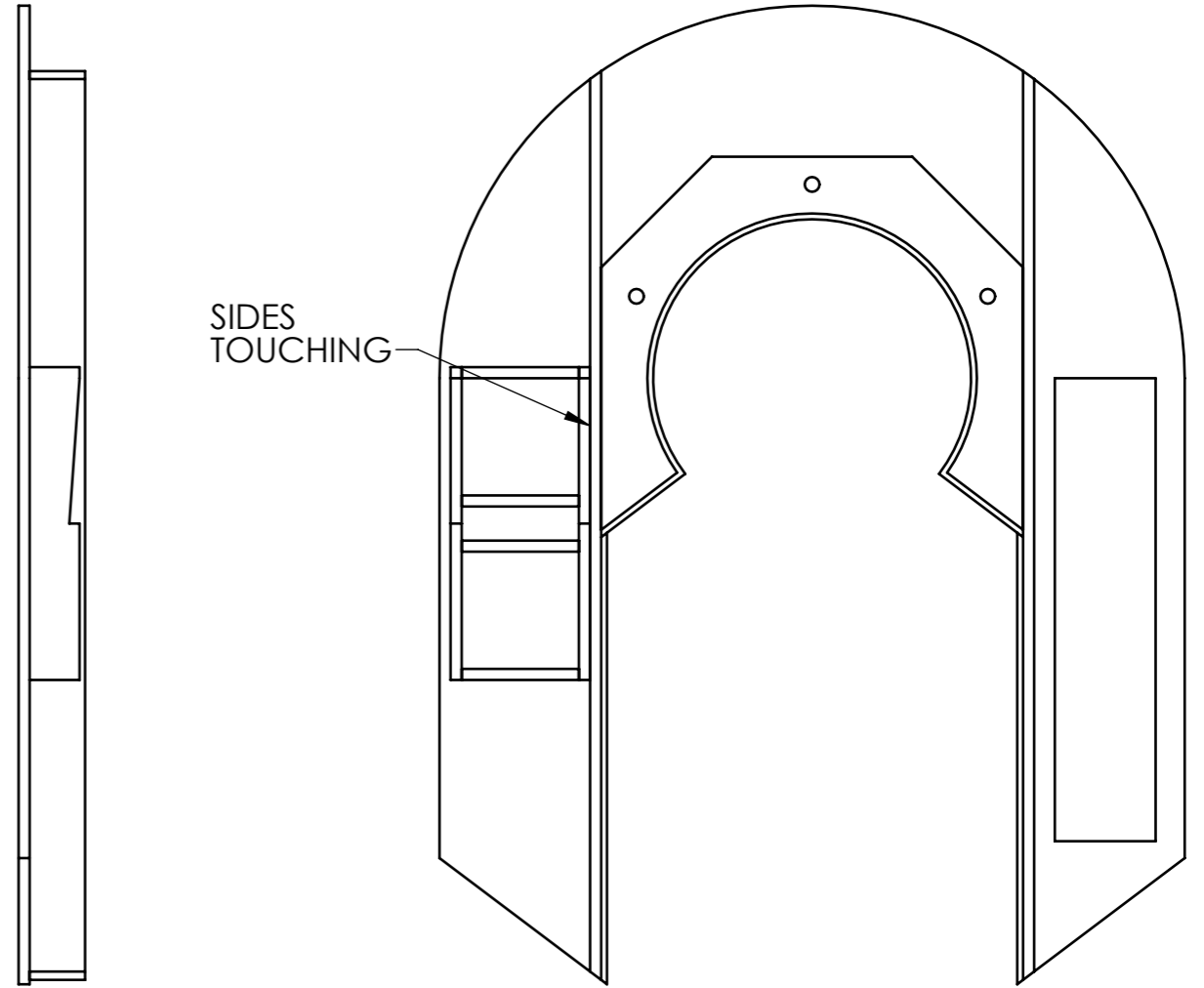
UNLESS OTHERWISE SPECIFIED: DIMENSIONS ARE IN MILLIMETERS SURFACE FINISH: TOLERANCES: LINEAR: ANGULAR:				FINISH:		DEBUR AND BREAK SHARP EDGES		DO NOT SCALE DRAWING		REVISION A	
								TITLE:			
DRAWN	NAME	SIGNATURE	DATE								
CH'K'D	CHECK		CHK DATE								
APP'V'D	R. RUDD		ENG DATE								
MFG	R.CARTER		TECH DATE								
Q.A				MATERIAL:				DRAWING NO. SHOULDER ASSEMBLY 3			
				WEIGHT: 394.73		SCALE: 1:2		SHEET 5 OF 14			

SAND SLOPING ENDS
LEVEL TO SIDES

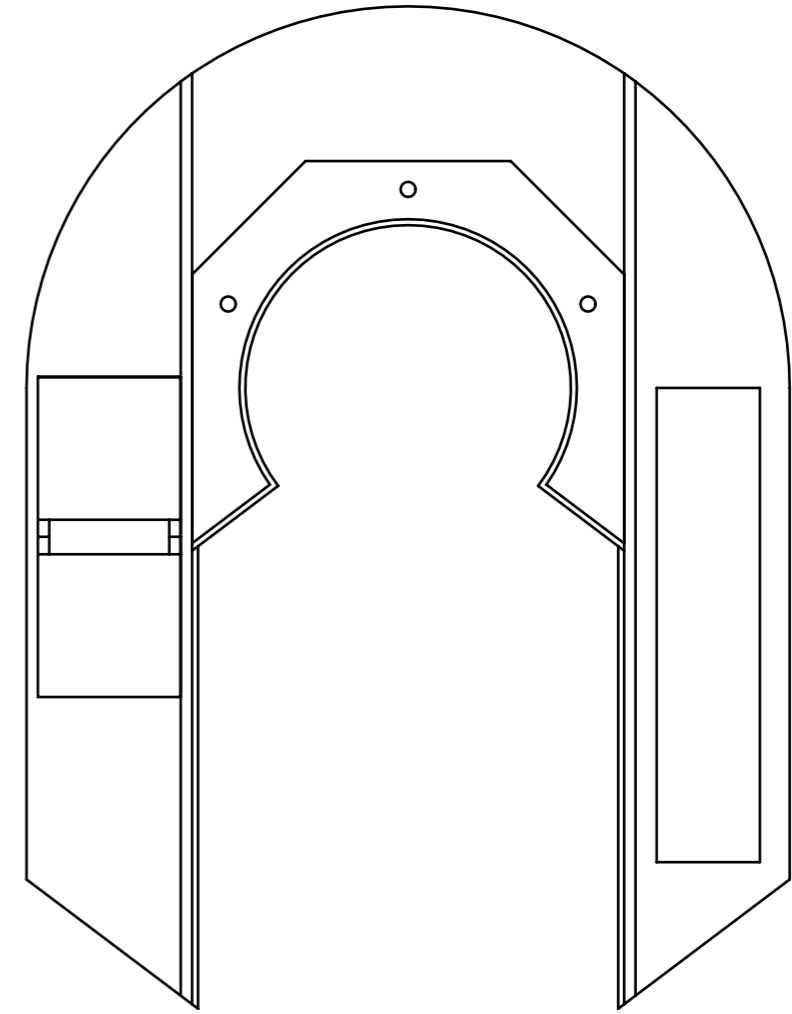
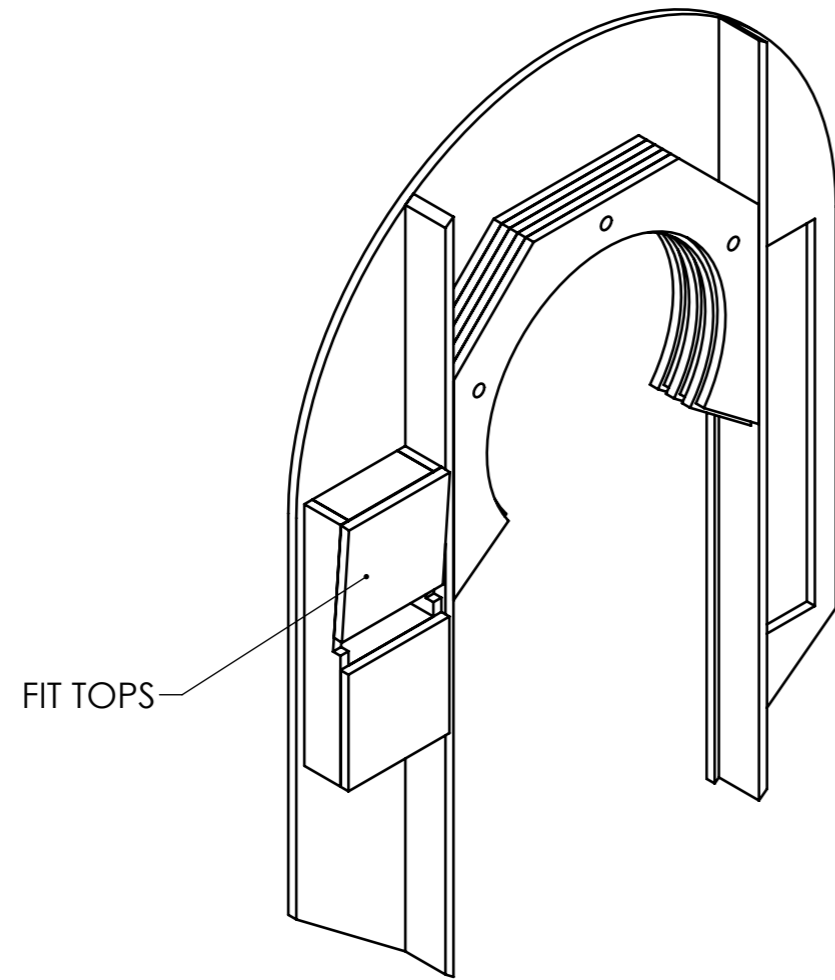
BUILD UP SMALL
BOX SIDES
NOTE POSITION OF
SLOPING SIDE



SIDES
TOUCHING

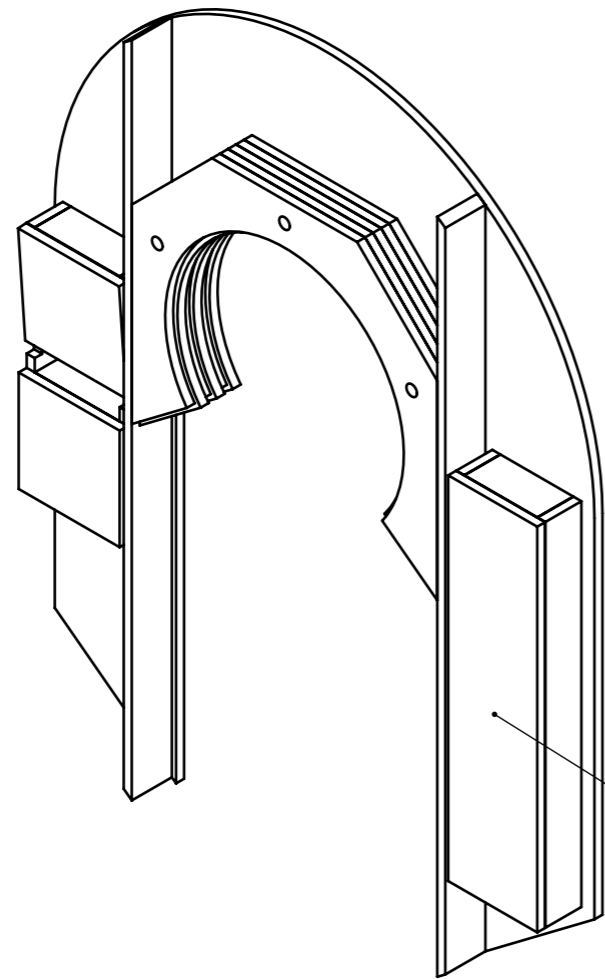


UNLESS OTHERWISE SPECIFIED: DIMENSIONS ARE IN MILLIMETERS SURFACE FINISH: TOLERANCES: LINEAR: ANGULAR:				FINISH:		DEBUR AND BREAK SHARP EDGES		DO NOT SCALE DRAWING		REVISION A	
								TITLE:			
								DRAWN DRAWN			
								CHK'D CHECK			
								APP'VD R. RUDD			
								MFG R.CARTER			
								Q.A.			
								MATERIAL:			
								WEIGHT: 394.73			
								SCALE:1:2			
								SHEET 6 OF 14			
								DRAWING NO.		SHOULDER ASSEMBLY	
										3	

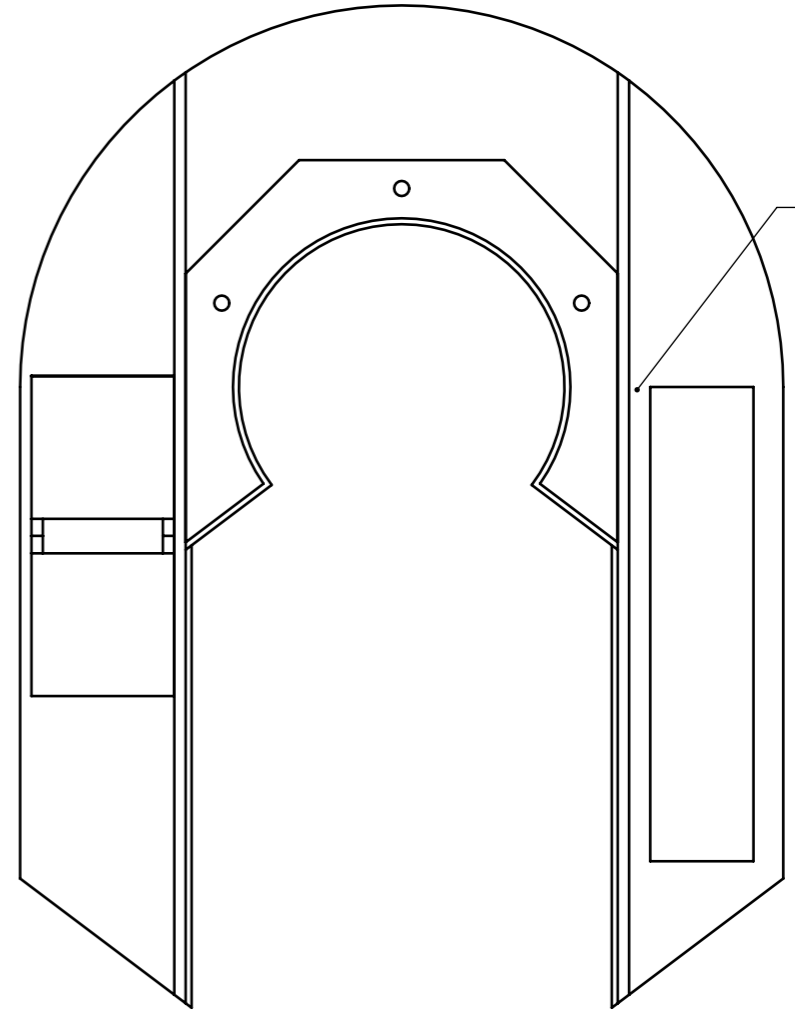


UNLESS OTHERWISE SPECIFIED: DIMENSIONS ARE IN MILLIMETERS SURFACE FINISH: TOLERANCES: LINEAR: ANGULAR:				FINISH:		DEBUR AND BREAK SHARP EDGES		DO NOT SCALE DRAWING		REVISION A	
								TITLE:			
						MATERIAL:		DRAWING NO.		3	
						WEIGHT: 394.73		SCALE: 1:2		SHEET 7 OF 14	

SHOULDER ASSEMBLY

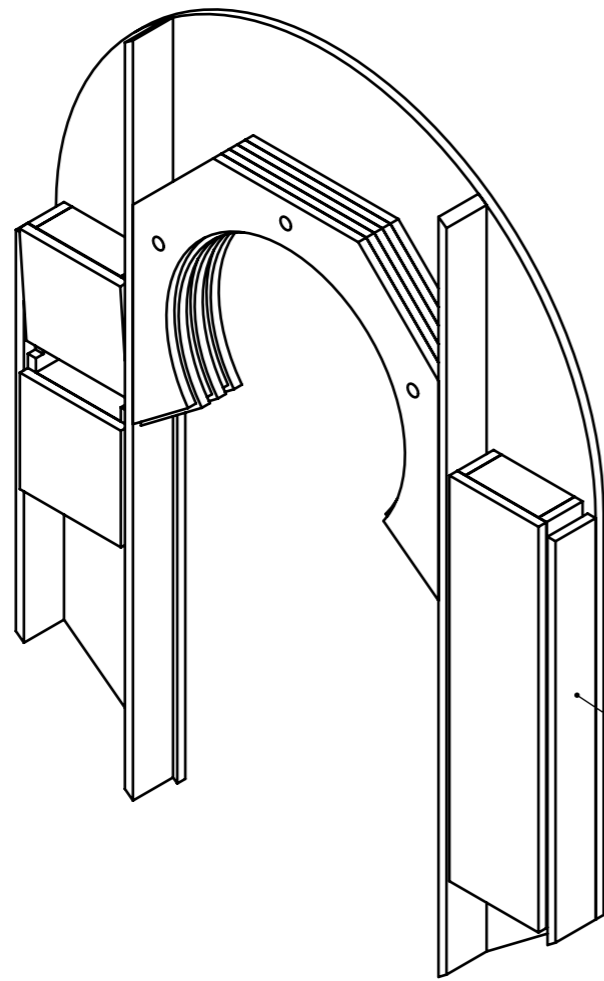


BUILD OTHER SIDE



GAP

UNLESS OTHERWISE SPECIFIED: DIMENSIONS ARE IN MILLIMETERS SURFACE FINISH: TOLERANCES: LINEAR: ANGULAR:				FINISH:		DEBUR AND BREAK SHARP EDGES		DO NOT SCALE DRAWING		REVISION A			
								TITLE:					
DRAWN		DRAWN		SIGNATURE		DATE						DRG DATE	
CHK'D		CHECK		SIGNATURE		DATE						CHK DATE	
APPV'D		R. RUDD		SIGNATURE		DATE						ENG DATE	
MFG		R.CARTER		SIGNATURE		DATE						TECH DATE	
Q.A								MATERIAL:		DWG NO			
								WEIGHT: 394.73		SHOULDER ASSEMBLY 13			
								SCALE:1:2		SHEET 8 OF 14			

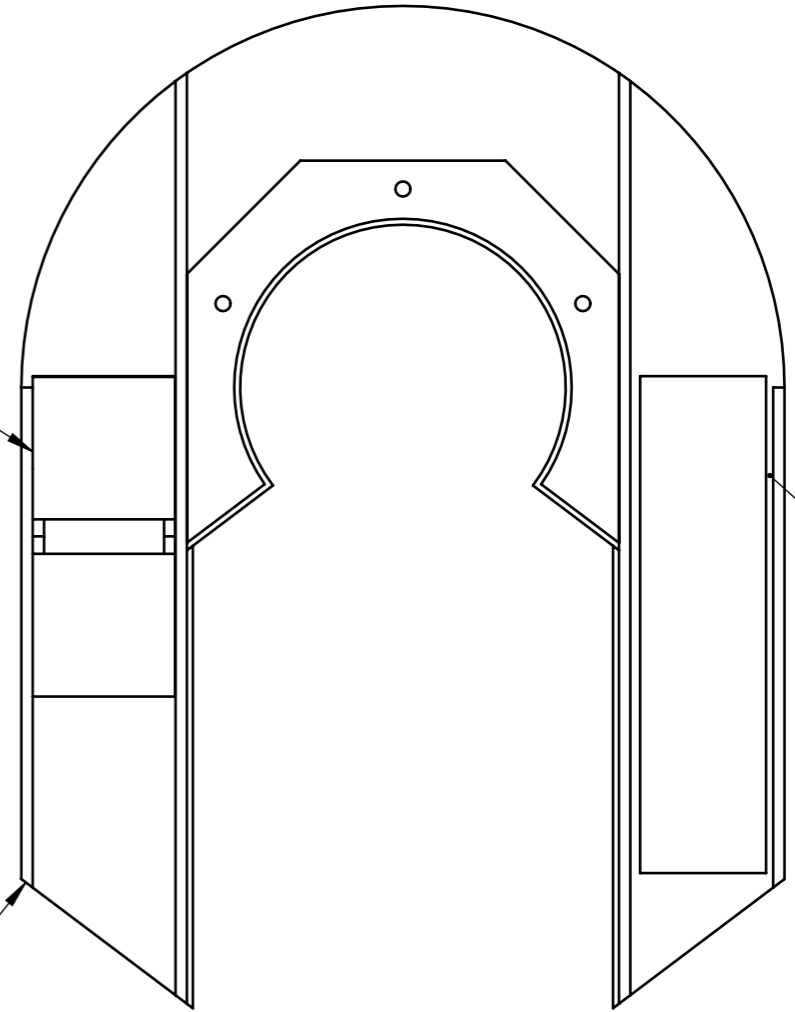


ADD SIDE PIECES

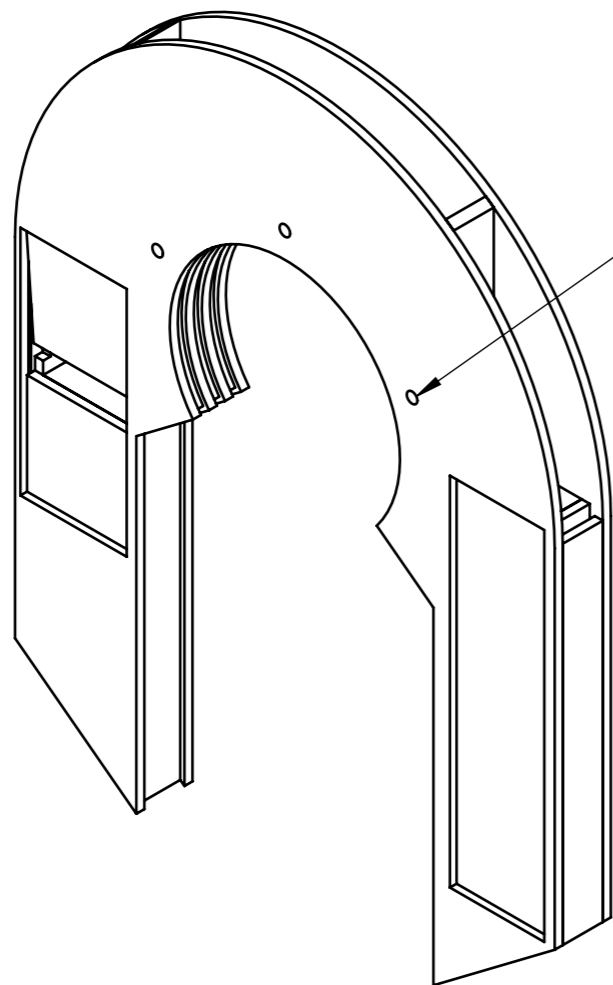
SIDES TOUCH

DONT SHAPE ENDS JUST YET

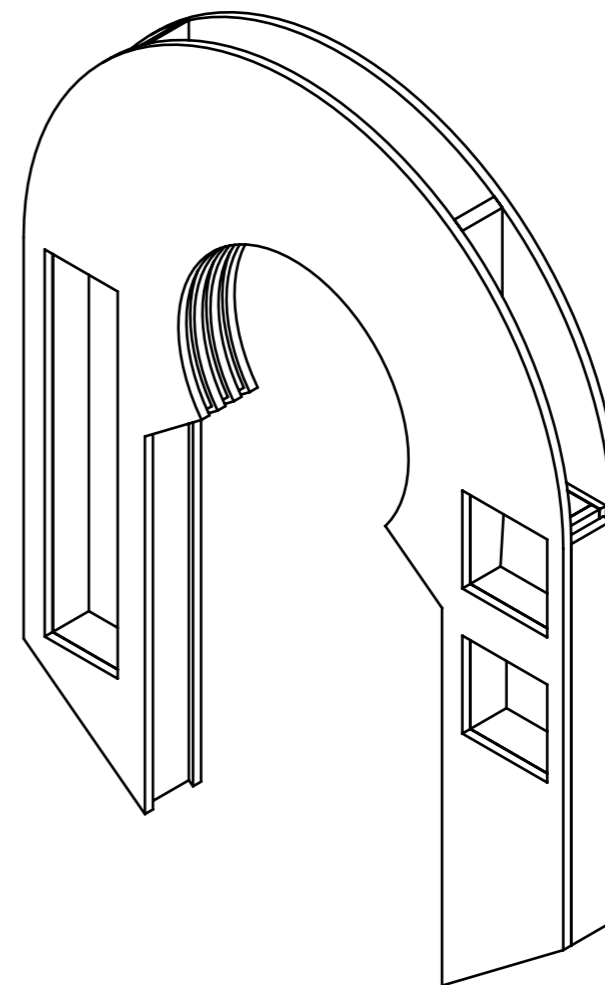
SMALL GAP



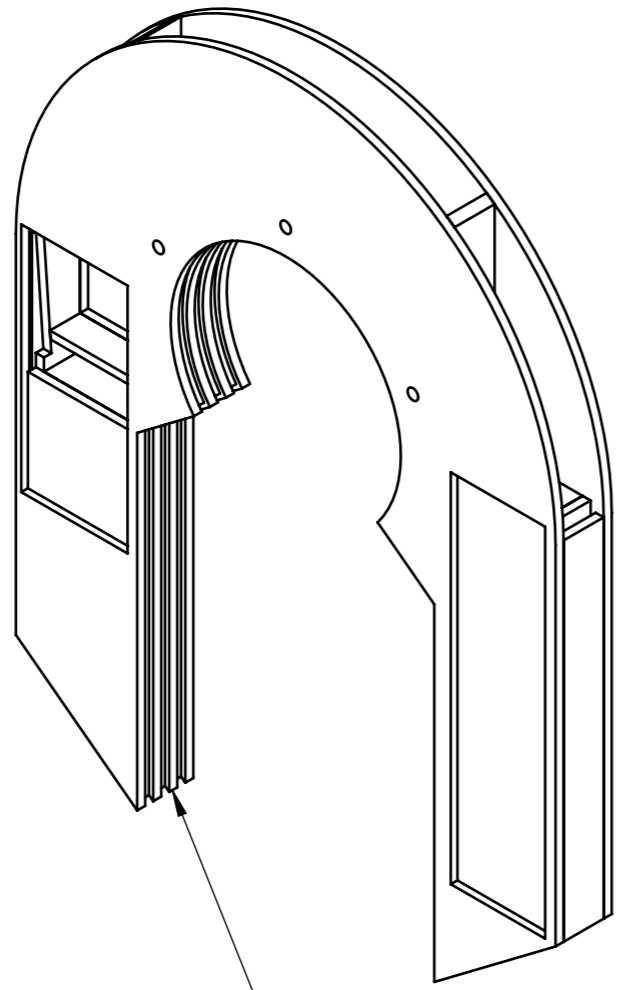
UNLESS OTHERWISE SPECIFIED: DIMENSIONS ARE IN MILLIMETERS SURFACE FINISH: TOLERANCES: LINEAR: ANGULAR:				FINISH:		DEBUR AND BREAK SHARP EDGES		DO NOT SCALE DRAWING		REVISION A	
								TITLE:			
DRAWN	NAME	SIGNATURE	DATE								
CHK'D	CHECK		DRG DATE								
APPV'D	R. RUDD		CHK DATE								
MFG	R.CARTER		ENG DATE								
Q.A			TECH DATE					MATERIAL:		DRAWING NO. SHOULDER ASSEMBLY 3	
						WEIGHT: 394.73		SCALE: 1:2		SHEET 9 OF 14	



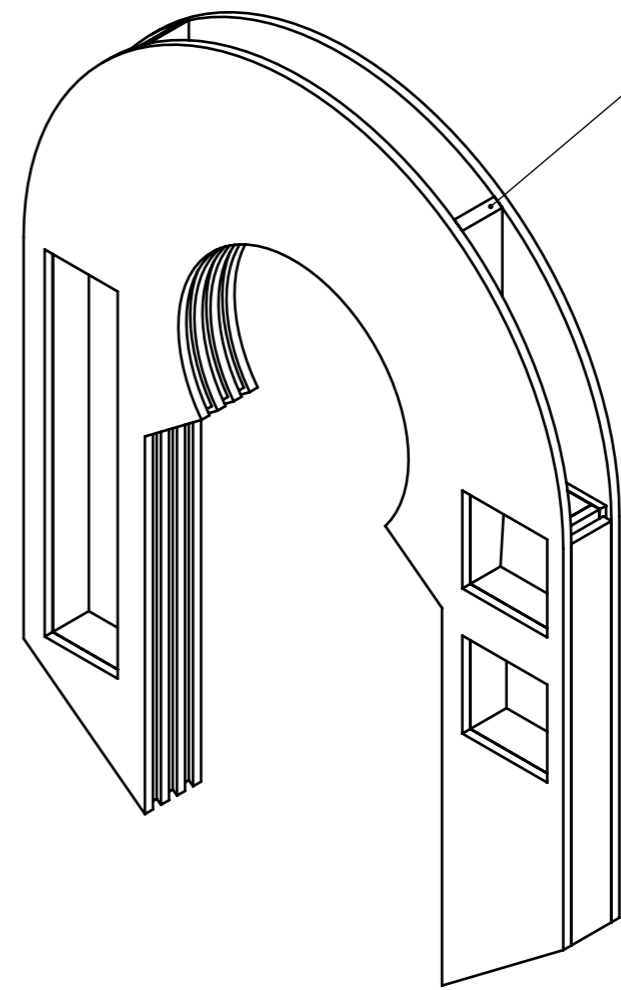
ADD BACK USING
ALIGNING HOLES
FOR ASSISTANCE



UNLESS OTHERWISE SPECIFIED: DIMENSIONS ARE IN MILLIMETERS SURFACE FINISH: TOLERANCES: LINEAR: ANGULAR:				FINISH:		DEBUR AND BREAK SHARP EDGES		DO NOT SCALE DRAWING		REVISION A	
								TITLE:			
	NAME	SIGNATURE	DATE								
DRAWN	DRAWN		DRG DATE								
CHK'D	CHECK		CHK DATE								
APPV'D	R. RUDD		ENG DATE								
MFG	R.CARTER		TECH DATE								
Q.A				MATERIAL:		DWG NO. SHOULDER ASSEMBLY 3					
				WEIGHT: 394.73		SCALE: 1:2		SHEET 10 OF 14			



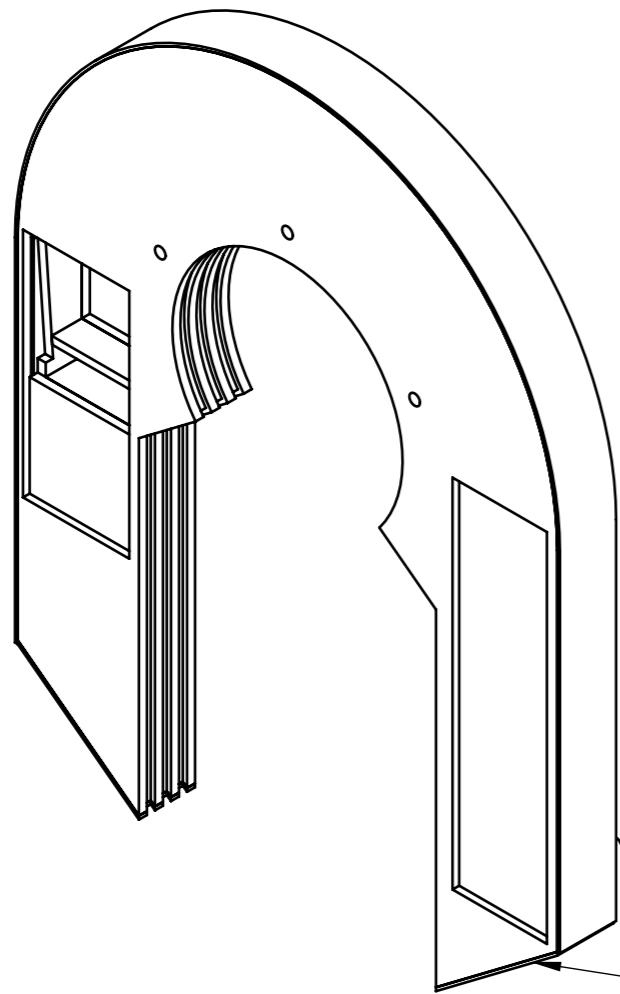
CARFULLY POSITION 4 x THIN STRIPS
(RECOMMEND YOU BUY 3mm x 1.5
FROM YOUR LOCAL HOBBY SHOP)



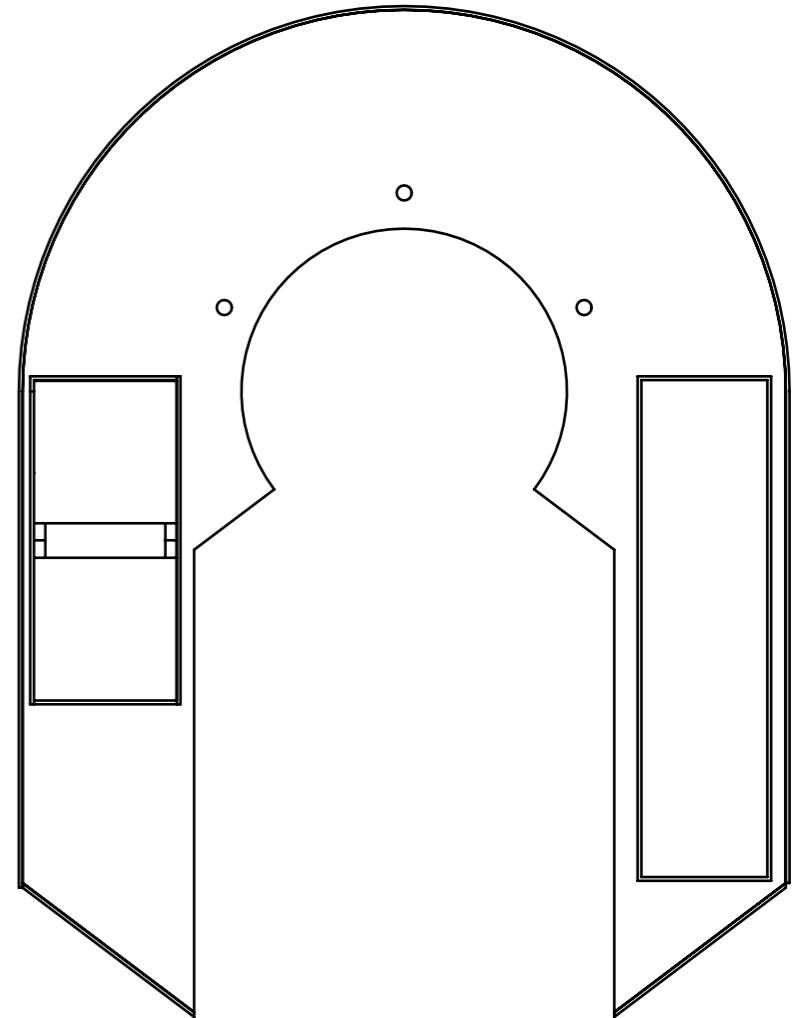
SHAPE ALL PROTUDING BITS
FLUSH WITH OUTER BODY

IT IS RECOMMENDED TO BUY THE MATERIAL
FOR THE THIN STRIPS
HOWEVER, WE HAVE INCLUDED SOME PRE-CUT PIECES
SHOULD YOU WISH TO GIVE HAND-CUTTING A GO

UNLESS OTHERWISE SPECIFIED: DIMENSIONS ARE IN MILLIMETERS SURFACE FINISH: TOLERANCES: LINEAR: ANGULAR:				FINISH:		DEBUR AND BREAK SHARP EDGES		DO NOT SCALE DRAWING		REVISION A	
								TITLE:			
NAME	SIGNATURE	DATE									
DRAWN	DRAWN	DRG DATE									
CHK'D	CHECK	CHK DATE									
APPV'D	R. RUDD	ENG DATE									
MFG	R.CARTER	TECH DATE									
Q.A						MATERIAL:		DRAWING NO. SHOULDER ASSEMBLY 13			
						WEIGHT: 394.73		SCALE: 1:2		SHEET 11 OF 14	

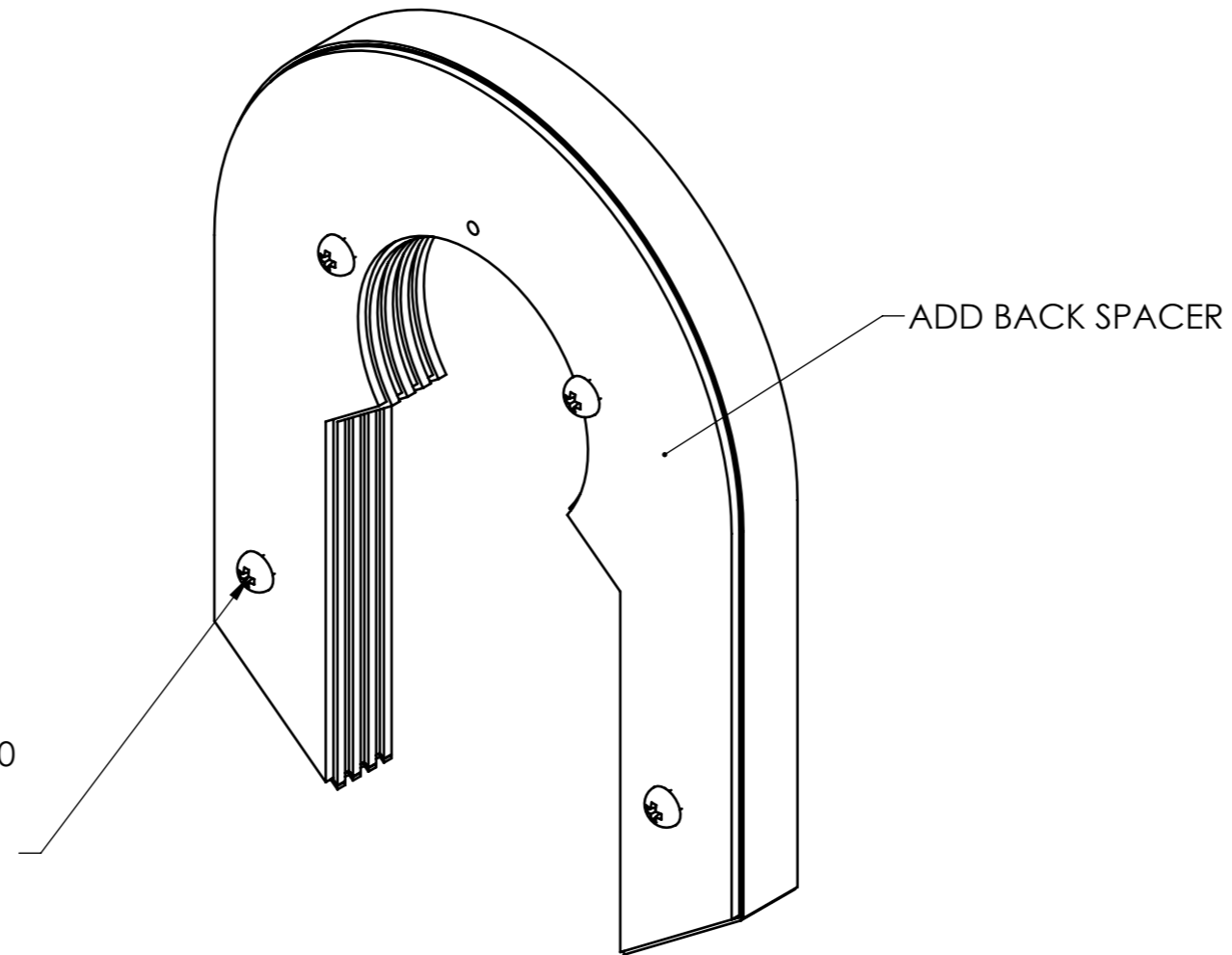


SKIN THE OUTER
FACES



UNLESS OTHERWISE SPECIFIED: DIMENSIONS ARE IN MILLIMETERS SURFACE FINISH: TOLERANCES: LINEAR: ANGULAR:				FINISH:		DEBUR AND BREAK SHARP EDGES		DO NOT SCALE DRAWING		REVISION A	
								TITLE:			
DRAWN	NAME DRAWN	SIGNATURE	DATE DRG DATE								
CHK'D	CHECK		CHK DATE								
APPV'D	R. RUDD		ENG DATE								
MFG	R.CARTER		TECH DATE								
Q.A						MATERIAL:		DRAWING NO. SHOULDER ASSEMBLY 3			
						WEIGHT: 394.73		SCALE: 1:2		SHEET 12 OF 14	

OPTIONAL:
 TAP M6 FOR
 Machine Screw Phillips Pan Head M6 x 20
 FOR HANGING ON LEGS
 (OR GLUE ON ONCE YOUVE ADDED
 THE EXTRA BITS - YOUR CALL)



DONE !!

UNLESS OTHERWISE SPECIFIED: DIMENSIONS ARE IN MILLIMETERS SURFACE FINISH: TOLERANCES: LINEAR: ANGULAR:				FINISH:		DEBUR AND BREAK SHARP EDGES		DO NOT SCALE DRAWING		REVISION A	
								TITLE:			
DRAWN				NAME		SIGNATURE		DATE			
CHK'D				DRAWN				DRG DATE			
APPV'D				CHECK				CHK DATE			
MFG				R. RUDD				ENG DATE			
Q.A				R.CARTER				TECH DATE			
								MATERIAL:		DRAWING NO	
										SHOULDER ASSEMBLY 13	
								WEIGHT: 394.73		SCALE:1:2	
										SHEET 13 OF 14	

ITEM	DESCRIPTION	THK	MM MASS	Default /QTY	MASS
1	SHOULDER - FRONT	3	0.07	1	0.0
2	SHOULDER - BACK	3	0.06	1	0.0
3	SHOULDER - INNER FACE	3	0.01	2	0.0
4	SHOULDER - SMALL SIDES	3	0.00	2	0.0
5	SHOULDER - SMALL ENDS	3	0.00	3	0.0
6	SHOULDER - SMALL ENDS - SHORT	3	0.00	1	0.0
7	SHOULDER - LARGE SIDES	3	0.01	2	0.0
8	SHOULDER - LARGE ENDS	3	0.00	2	0.0
9	SHOULDER - SPACER	3	0.08	1	0.0
10	SHOULDER - INCERT LARGE	3	0.01	3	0.0
11	SHOULDER - INCERT SMALL	3	0.01	2	0.0
12	SHOULDER - SIDE	3	0.01	2	0.0
13	SHOUL - SMALL BOTTOM	3	0.00	2	0.0
14	SHOULDER - LARGE BOTTOM	3	0.01	1	0.0
15	SHOULDER - STRIP (BUY !)	3	0.00	4	0.0
16				29	0.0
17	SHOULDER - OUTER SKIN	1	0.01	1	0.0
18	SHOULDER - END SKIN	1	0.00	2	0.0
19	Machine Screw Phillips Pan Head M6 x 20			4	0.0

