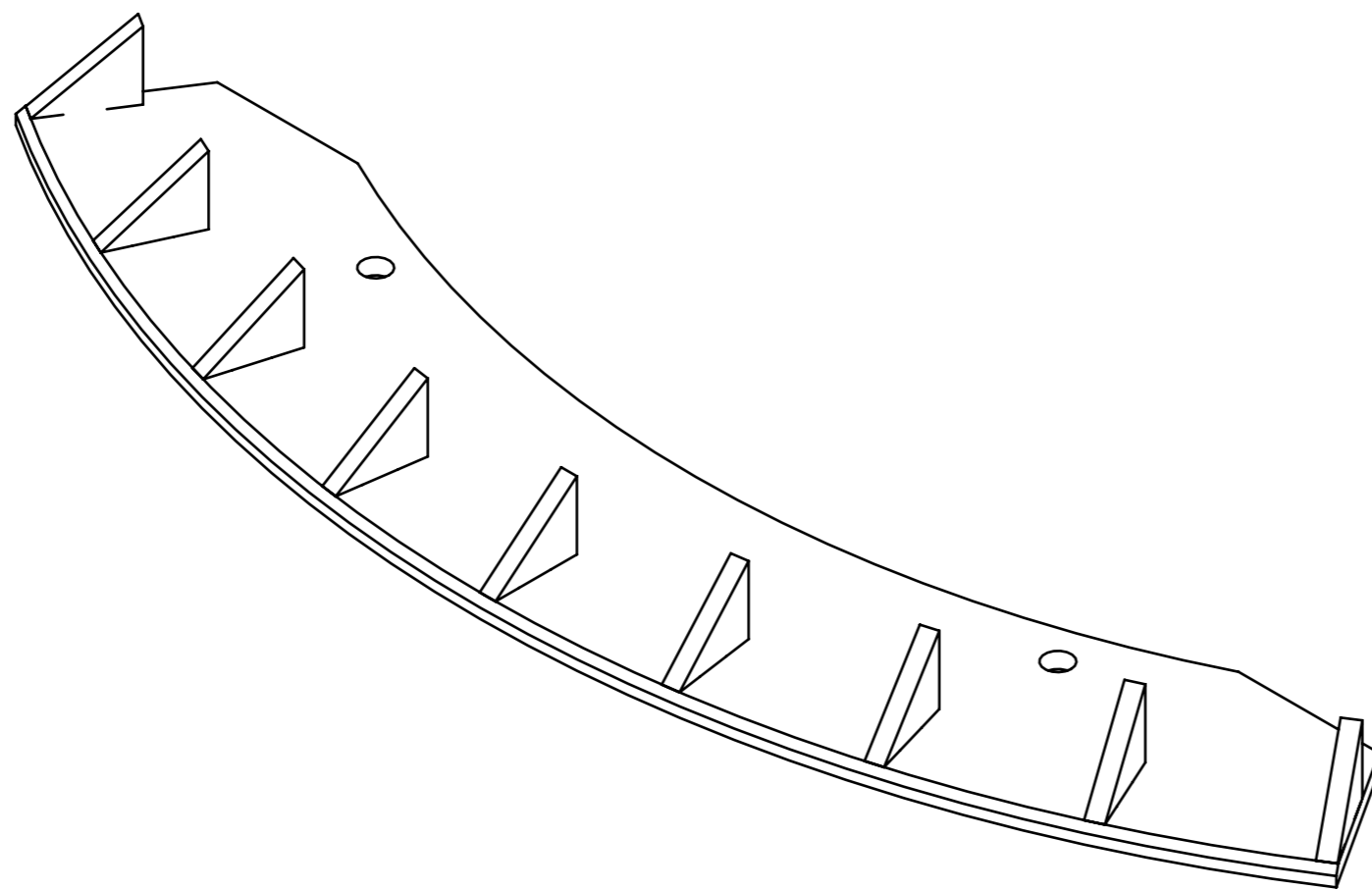
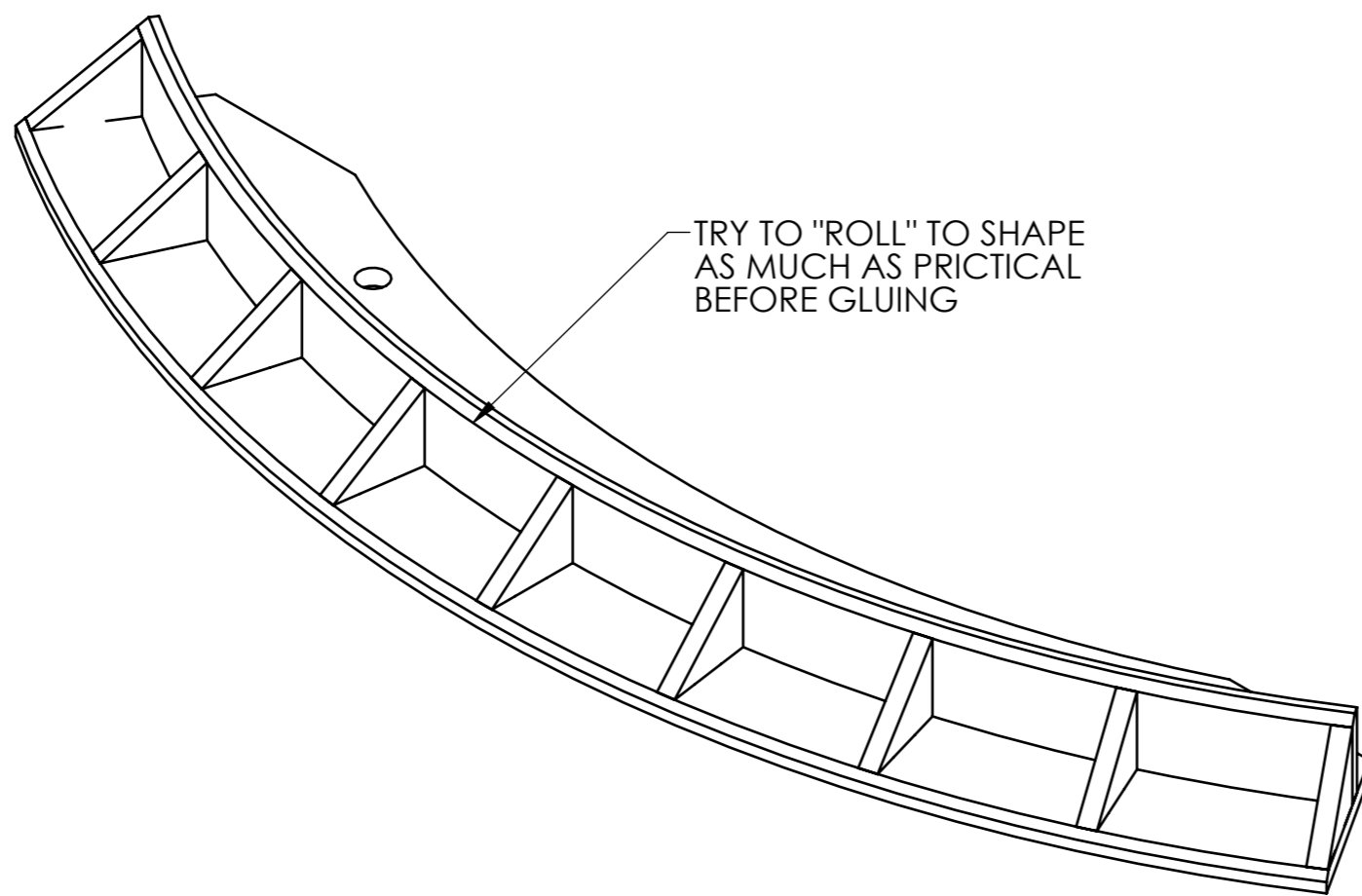


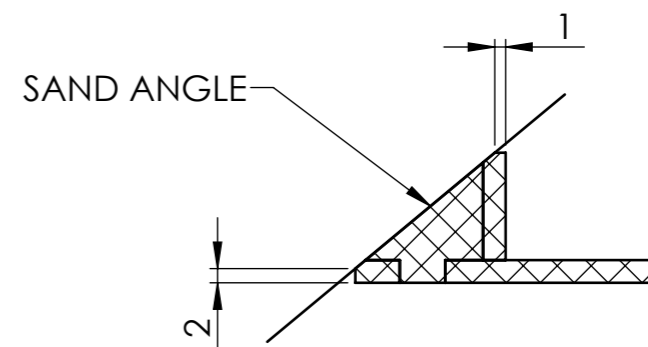
ITEM	DESCRIPTION	THK	QTY.
1	LDP - TOP-PL		1
2	LDP - TOP-PL		1
3	LDP - BOTTOM-PL		1
4	LDP - RIB		9
5	LDP - END		2
6	LDP - TAB		2
7	LDP - BACK-PL		1
8	LDP - BACK	1	1
9	LDP - SLOPE-SKIN	1	1



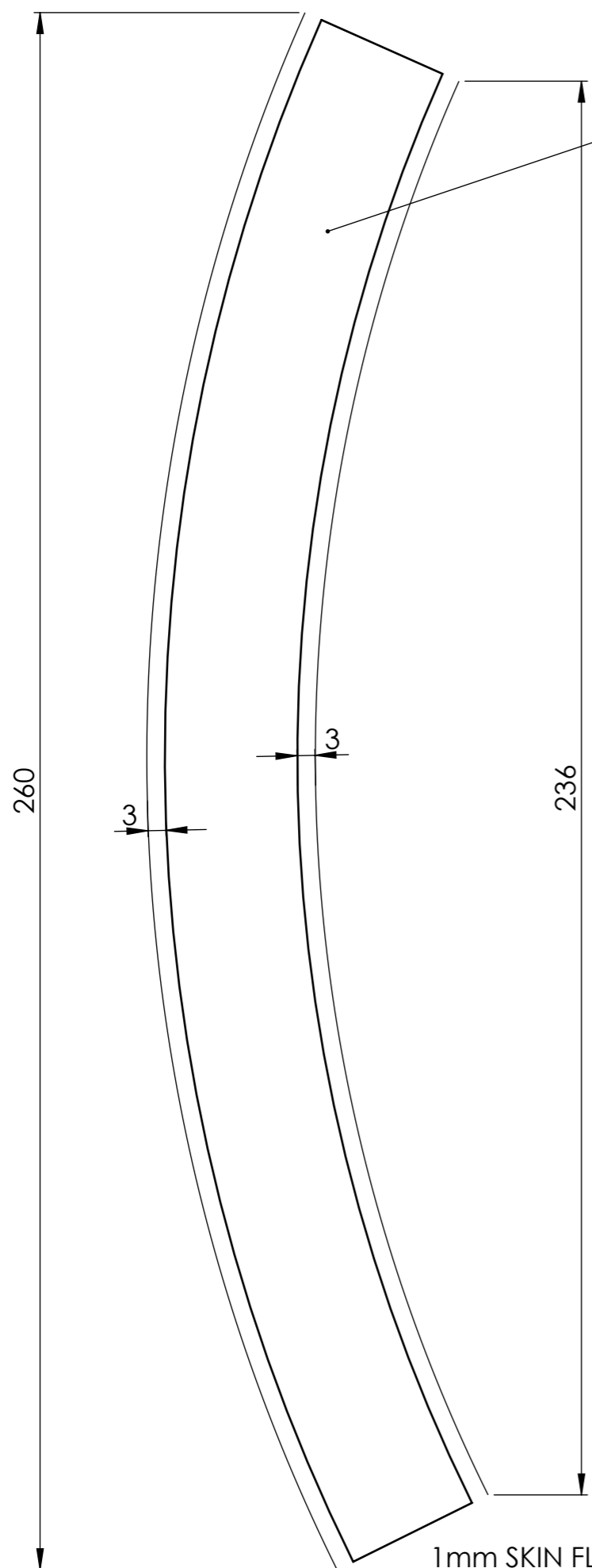
STEP 1



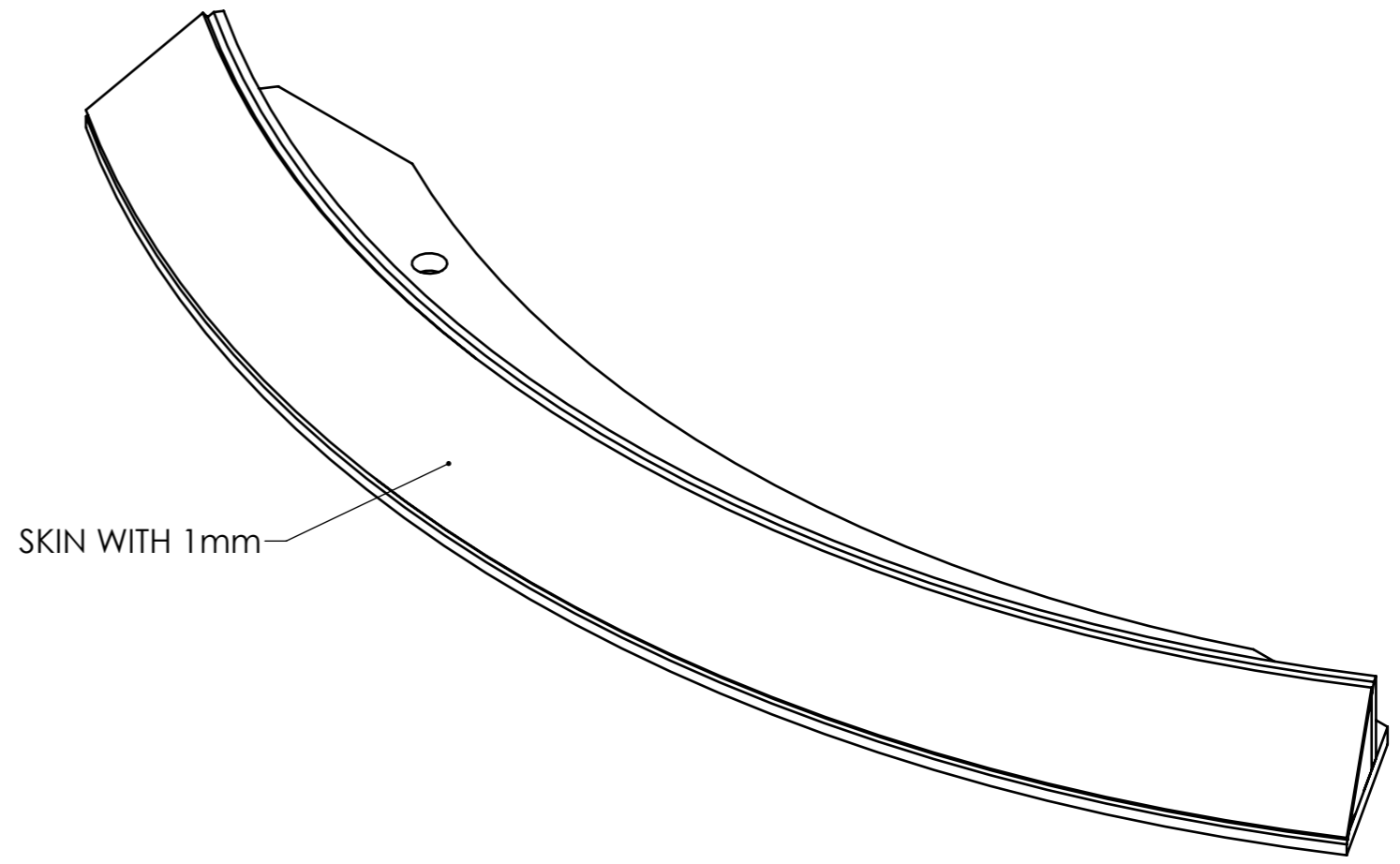
TRY TO "ROLL" TO SHAPE
AS MUCH AS PRACTICAL
BEFORE GLUING



STEP 2

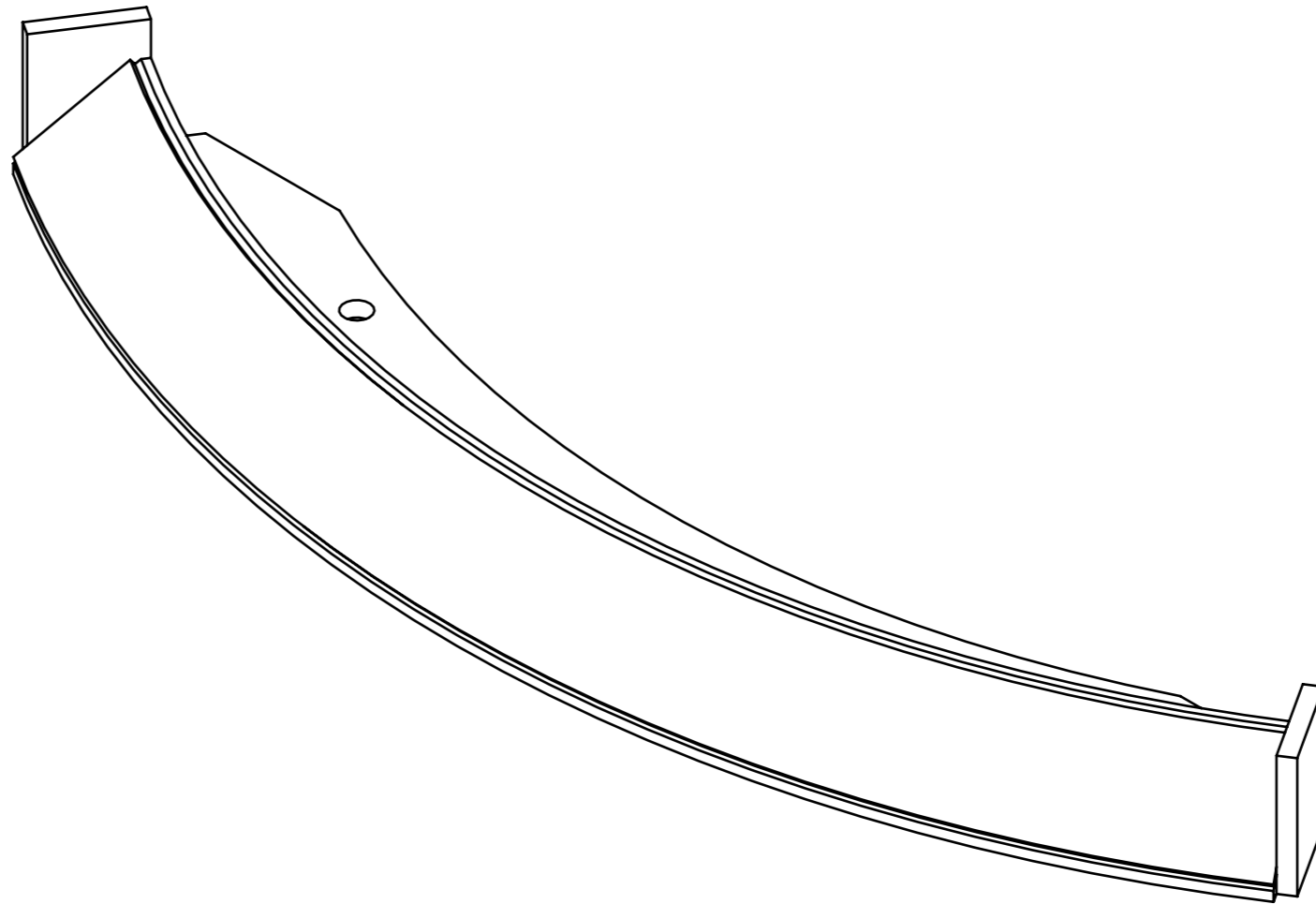


CUT A LITTLE WIDER (3mm EACH SIDE)
AND TRIM BACK TO SUITE ONCE
GLUE CURES

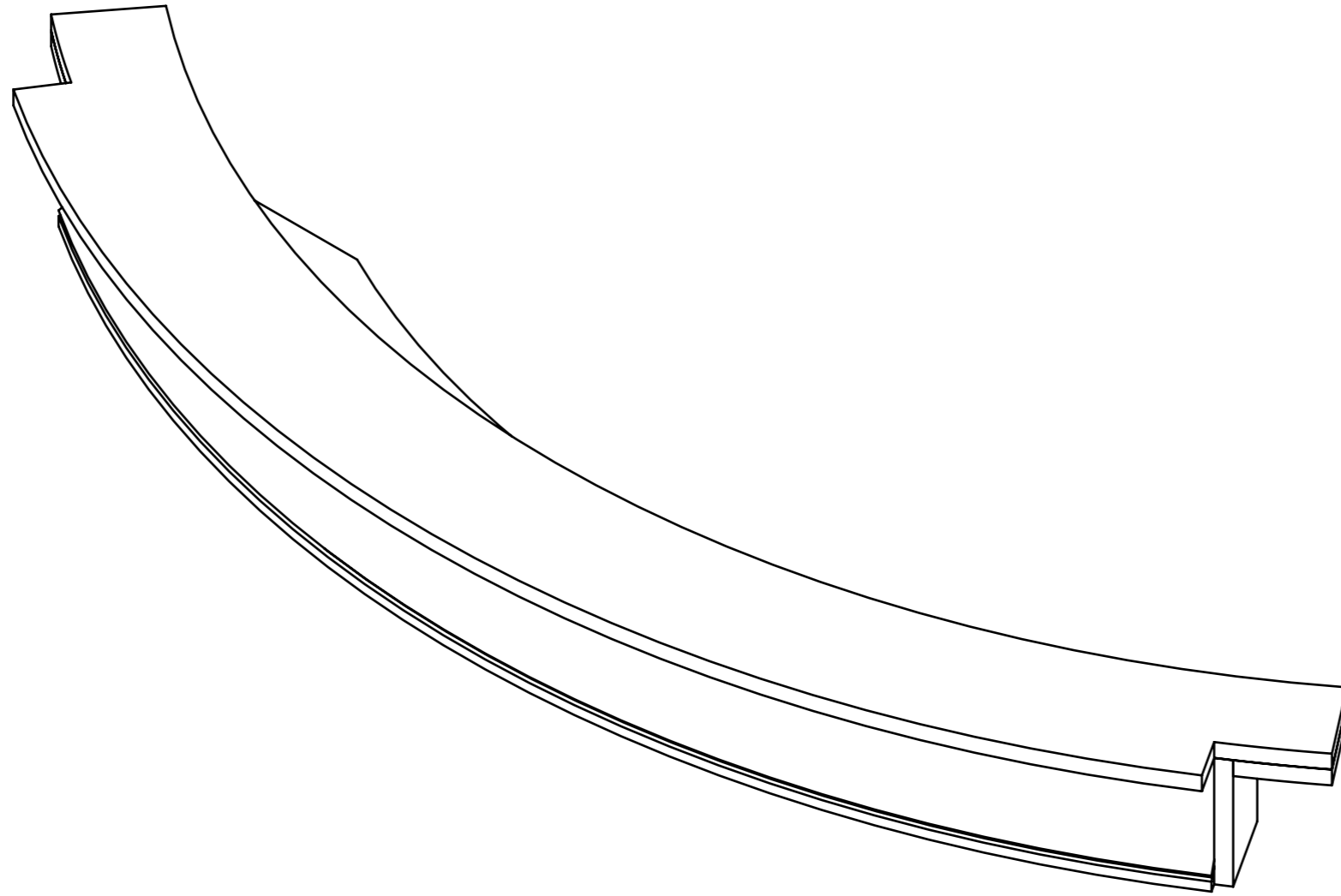


1mm SKIN FLAT PATTERN
PRINT "FULL SIZE" ON A4 PORTRATE
AND CHECK DIMENSIONS

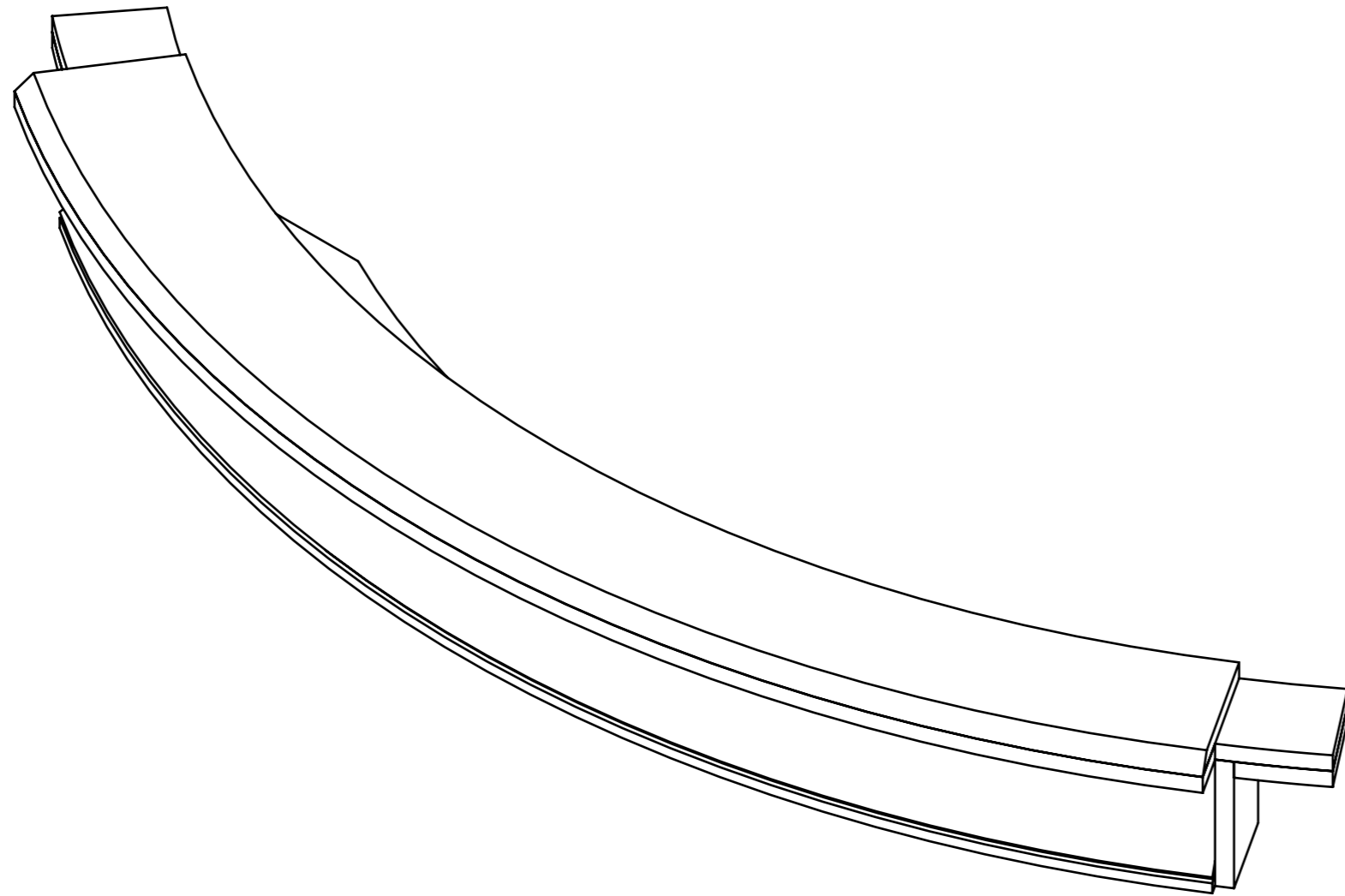
STEP 3



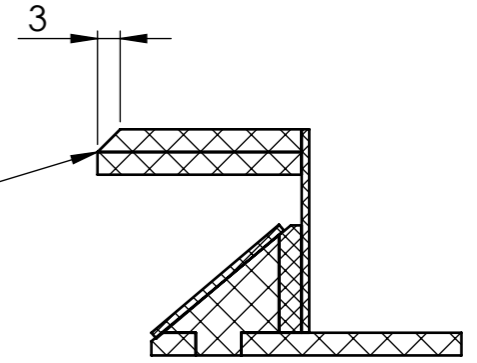
STEP 4



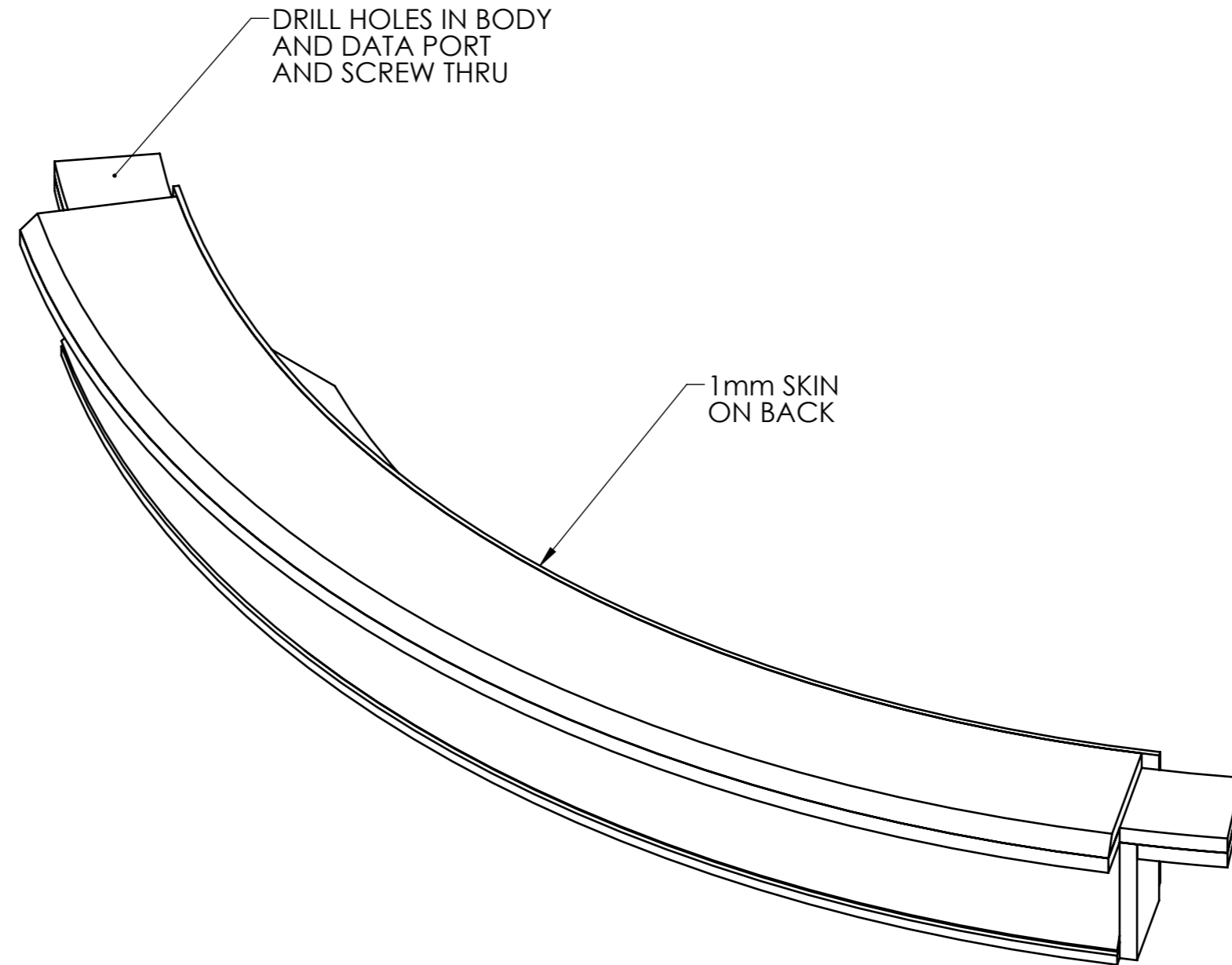
STEP 5



ALTERNATE DESIGN
BULL-NOSE



STEP 6



STEP 7