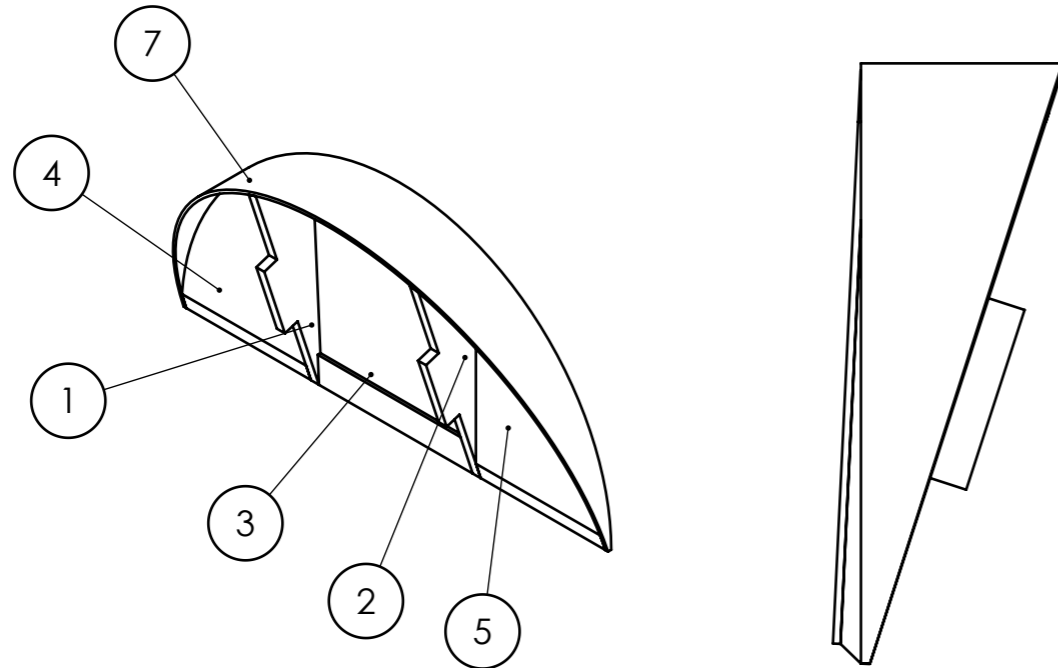
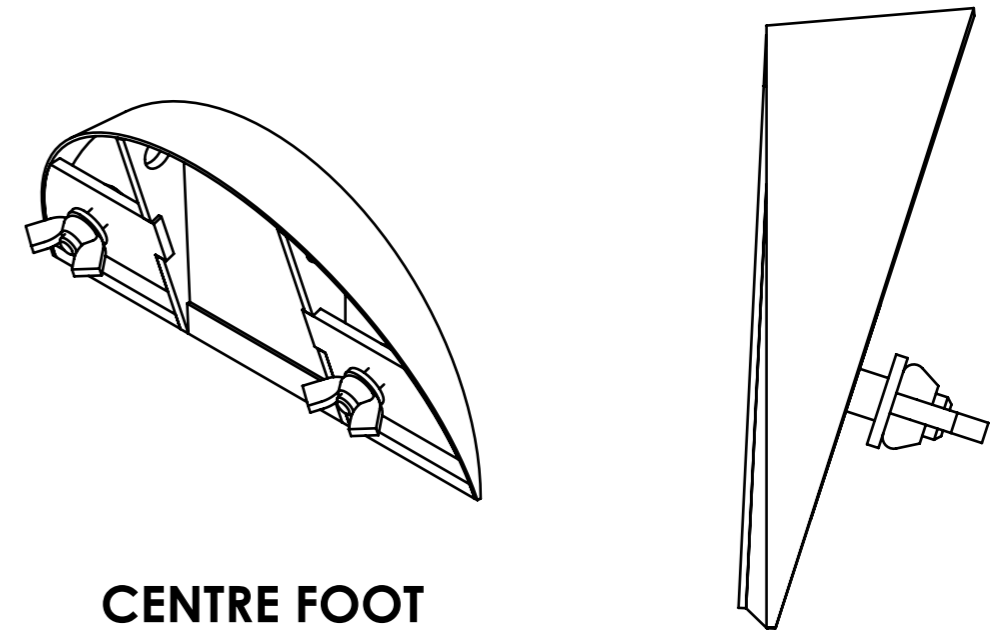


ITEM	DESCRIPTION	THK	QTY.
1	RIBS - 3mm - DESCRIPTION		1
2	RIBS - 3mm - DESCRIPTION		1
3	FRONT - 3mm - DESCRIPTION		1
4	SIDES - 3mm - DESCRIPTION		1
5	SIDES - 3mm - DESCRIPTION		1
6	FRONT - 1mm - DESCRIPTION	1	1
7	WRAP - DESCRIPTION	1	1
8	FILL - 1mm	1	1

ITEM	DESCRIPTION	THK	QTY.
1	RIBS - 3mm - DESCRIPTION		1
2	RIBS - 3mm - DESCRIPTION		1
3	FRONT - 3mm - DESCRIPTION		1
4	SIDES - 3mm - DESCRIPTION		1
5	SIDES - 3mm - DESCRIPTION		1
6	CENTRE BOLT PL	3	2
7	FRONT - 1mm - DESCRIPTION	1	1
8	CENTRE WRAP	1	1
9	FILL - 1mm	1	1
10	WRAP - DESCRIPTION	1	1
11	Hex Bolt M6 x 16		2
12	M6 PLAIN WASHER ZINC		2
13	Wing Nut M6		2



OUTER FEET



CENTRE FOOT

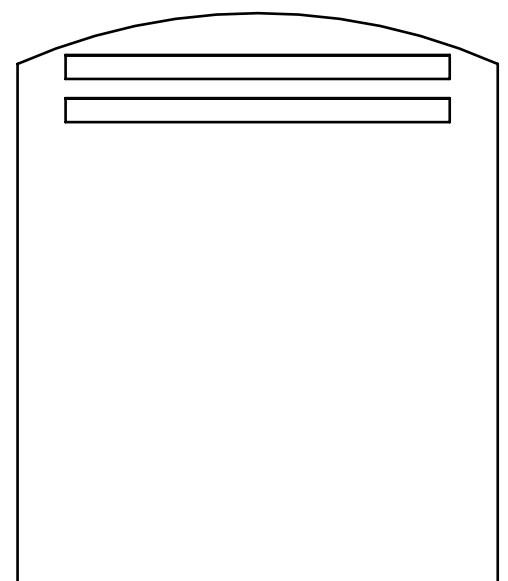
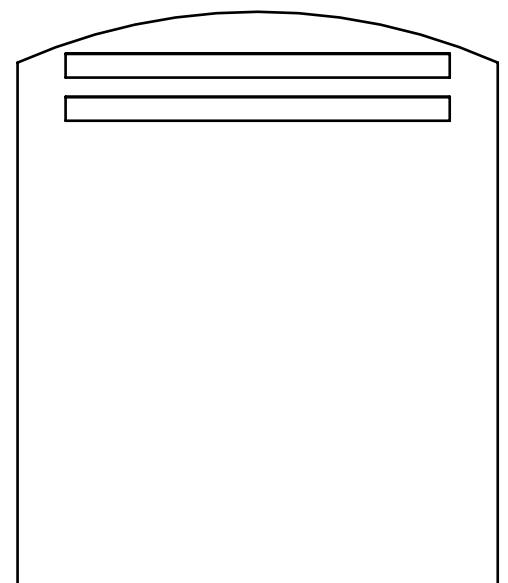
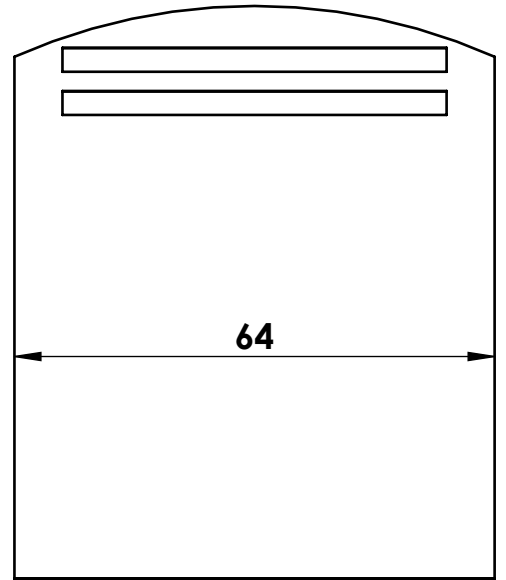
UNLESS OTHERWISE SPECIFIED: DIMENSIONS ARE IN MILLIMETERS SURFACE FINISH: TOLERANCES: LINEAR: ANGULAR:				FINISH:		DEBUR AND BREAK SHARP EDGES		DO NOT SCALE DRAWING		REVISION A	
DRAWN				NAME		SIGNATURE		DATE		TITLE:	
CHK'D				DRAWN				DRG DATE		HALF MOON	
APPV'D				CHECK				CHK DATE			
MFG				R. RUDD				ENG DATE			
Q.A				R.CARTER				TECH DATE			
								MATERIAL:		DWG NO. HALF MOON	
								WEIGHT: 0.06		SCALE:1:2	
										SHEET 1 OF 5	
										A3	

UP 180° R 78.38 UP 180° R 78.38

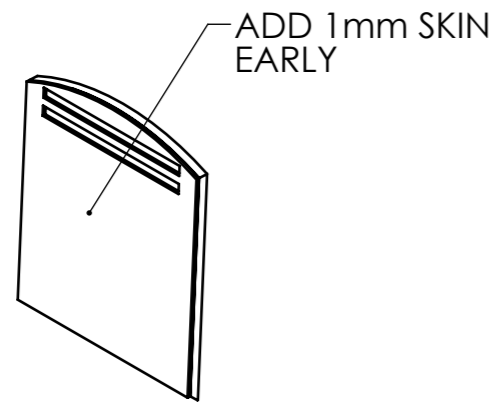
OUTER FOOT

OUTER FOOT

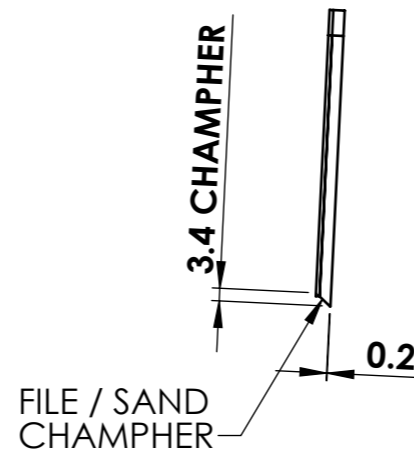
CENTRE FOOT



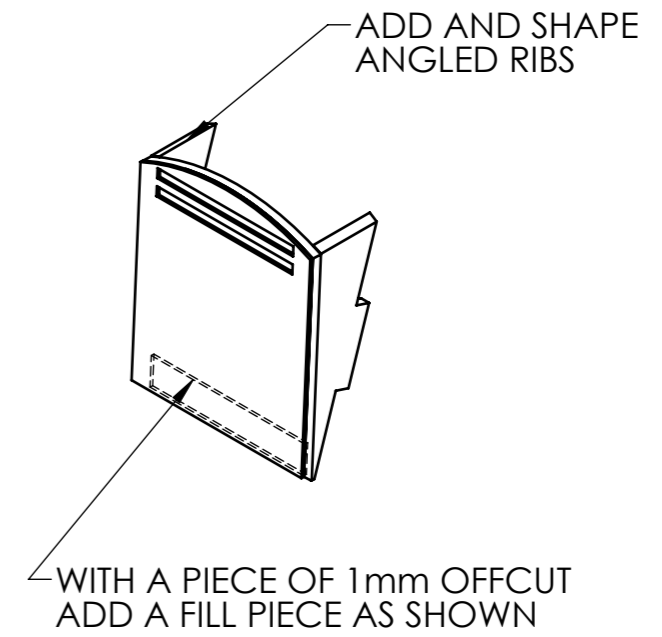
1mm BITS
(PRINT A4 FULL SIZE THIS PAGE ONLY)



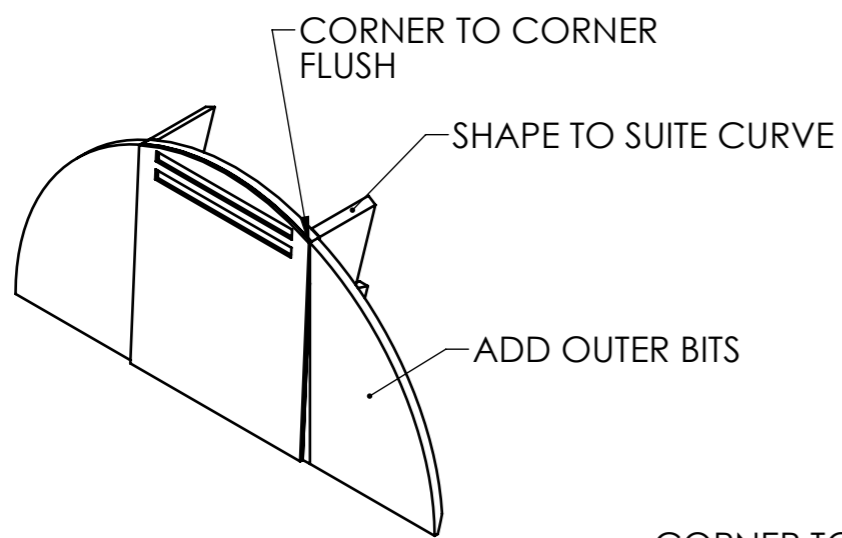
STEP 1



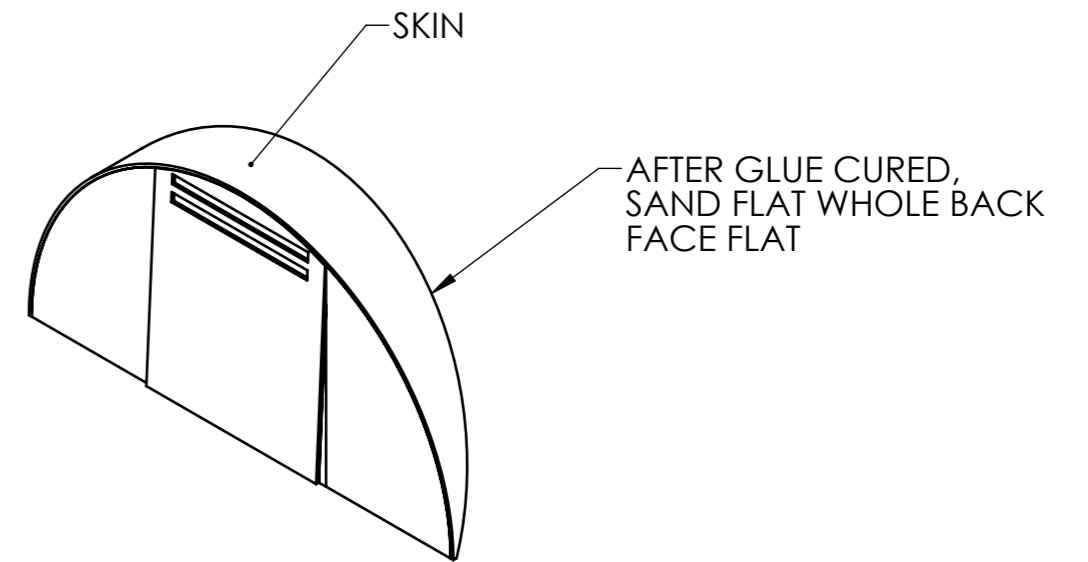
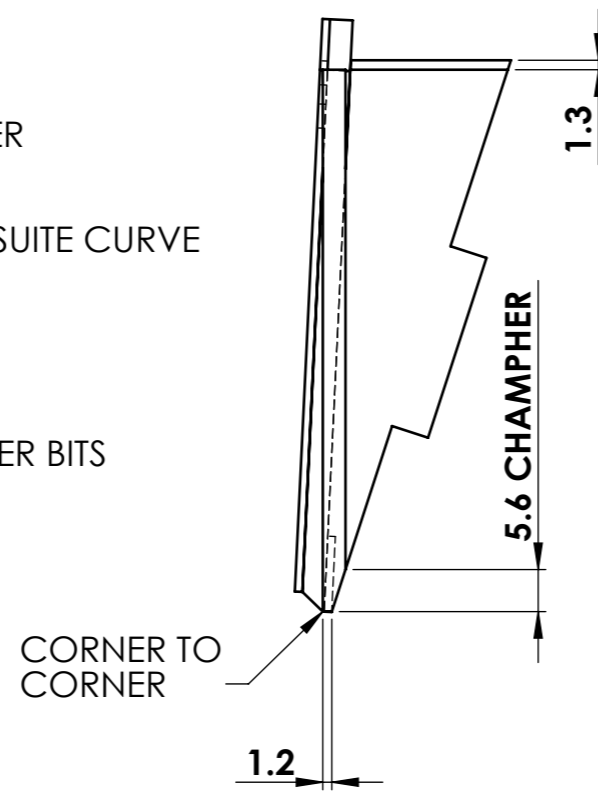
STEP 2



STEP 3

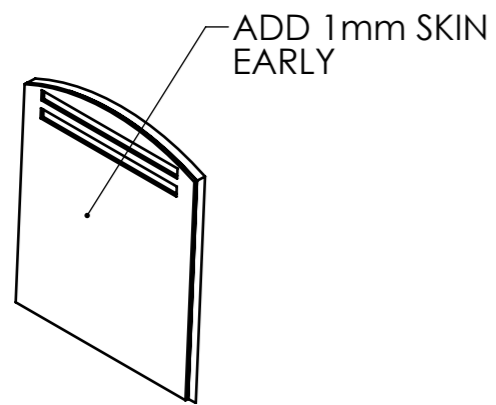


STEP 4

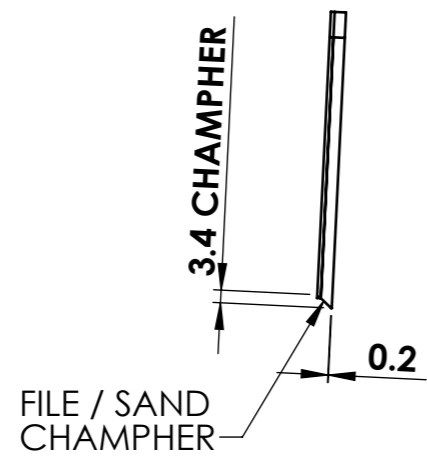


STEP 5

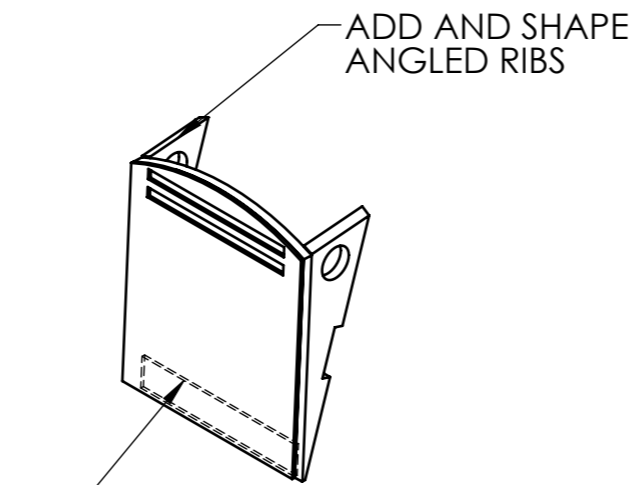
OUTER FOOT HALF MOONS



STEP 1

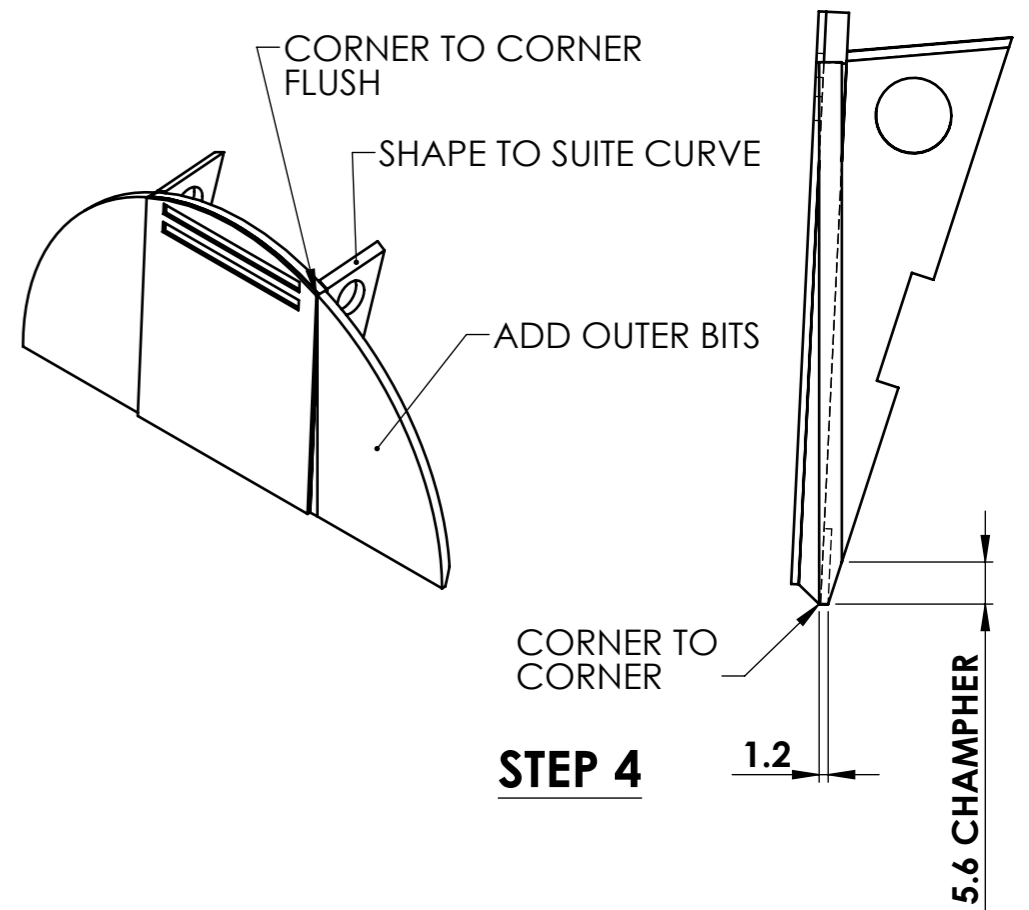


STEP 2

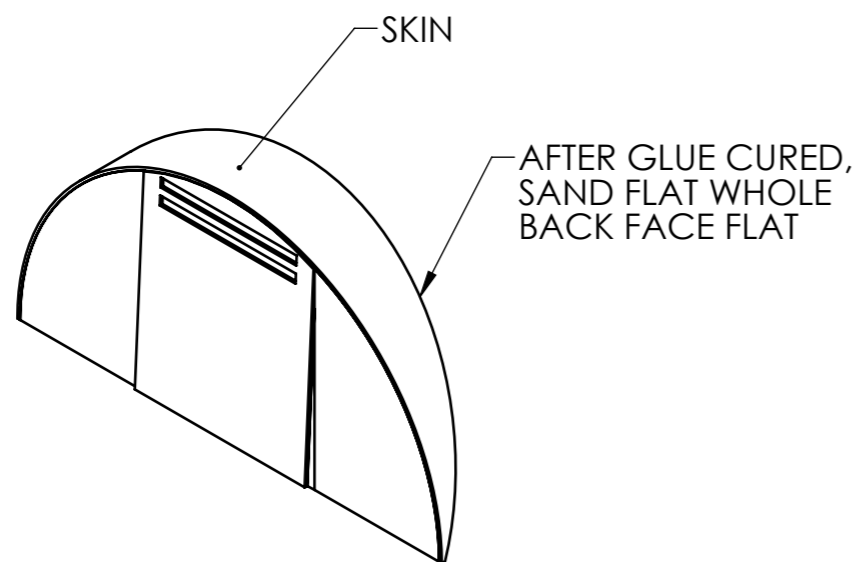


WITH A PIECE OF 1mm OFFCUT ADD A FILL PIECE AS SHOWN

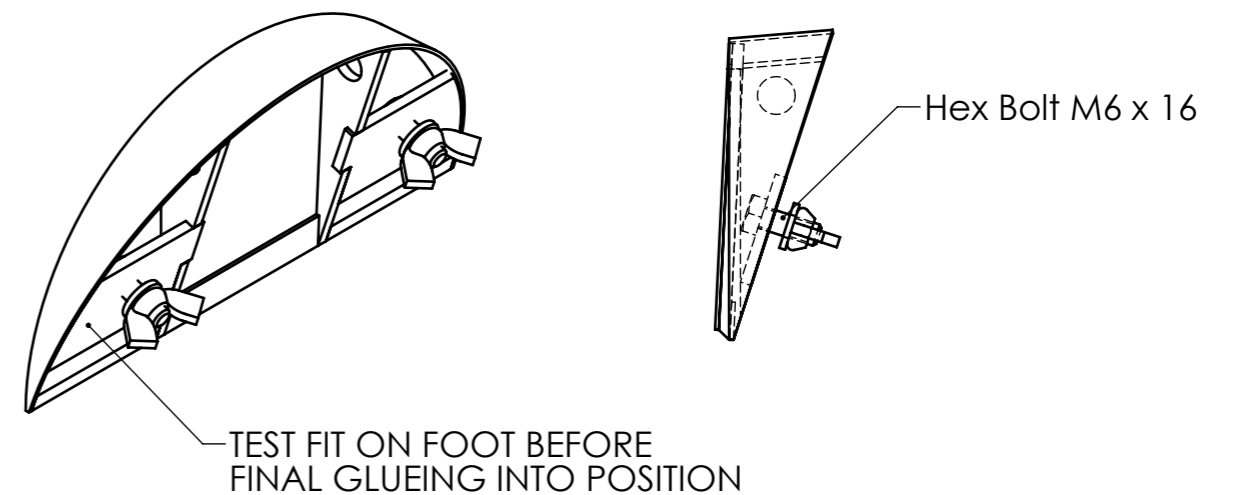
STEP 3



STEP 4



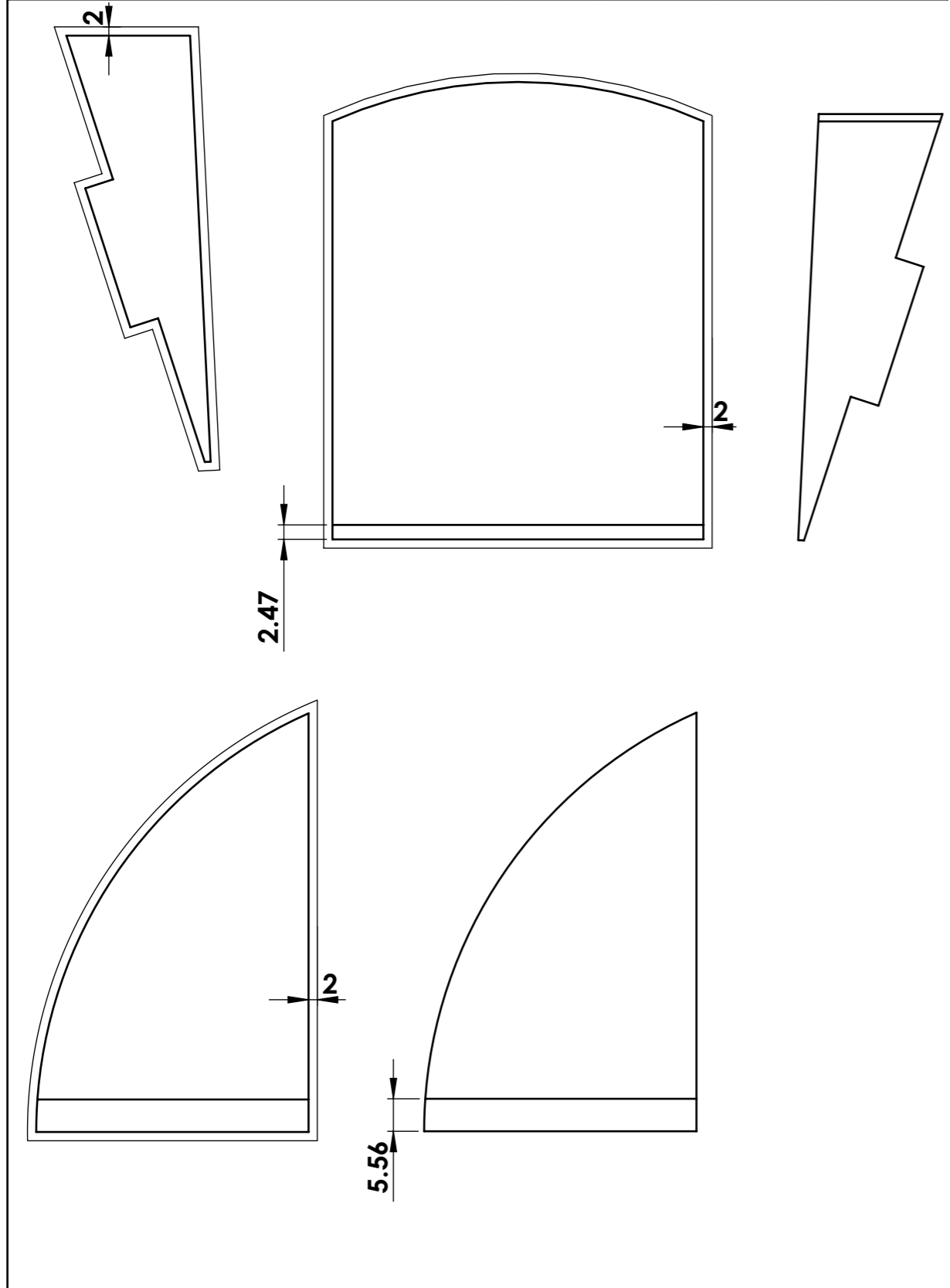
STEP 5



STEP 6

CENTRE FOOT HALF MOONS

ITEM	DESCRIPTION	THK	ITEM MASS	QTY.	MASS
1	RIBS - 3mm - DESCRIPTION		0.00	1	0.0
2	RIBS - 3mm - DESCRIPTION		0.00	1	0.0
3	FRONT - 3mm - DESCRIPTION		0.02	1	0.0
4	SIDES - 3mm - DESCRIPTION		0.01	1	0.0
5	SIDES - 3mm - DESCRIPTION		0.01	1	0.0
6	FRONT - 1mm - DESCRIPTION	1	0.01	1	0.0
7	WRAP - DESCRIPTION	1	0.01	1	0.0
8	FILL - 1mm	1	0.00	1	0.0



ITEM	DESCRIPTION	THK	ITEM MASS	QTY.	MASS
1	RIBS - 3mm - DESCRIPTION		0.00	1	0.0
2	RIBS - 3mm - DESCRIPTION		0.00	1	0.0
3	FRONT - 3mm - DESCRIPTION		0.02	1	0.0
4	SIDES - 3mm - DESCRIPTION		0.01	1	0.0
5	SIDES - 3mm - DESCRIPTION		0.01	1	0.0
6	CENTRE BOLT PL	3	0.00	2	0.0
7	FRONT - 1mm - DESCRIPTION	1	0.01	1	0.0
8	CENTRE WRAP	1	0.01	1	0.0
9	FILL - 1mm	1	0.00	1	0.0
10	Hex Bolt M6 x 16			2	0.0
11	M6 PLAIN WASHER ZINC			2	0.0
12	Wing Nut M6		0.01	2	0.0
13	WRAP - DESCRIPTION	1	0.01	1	0.0

