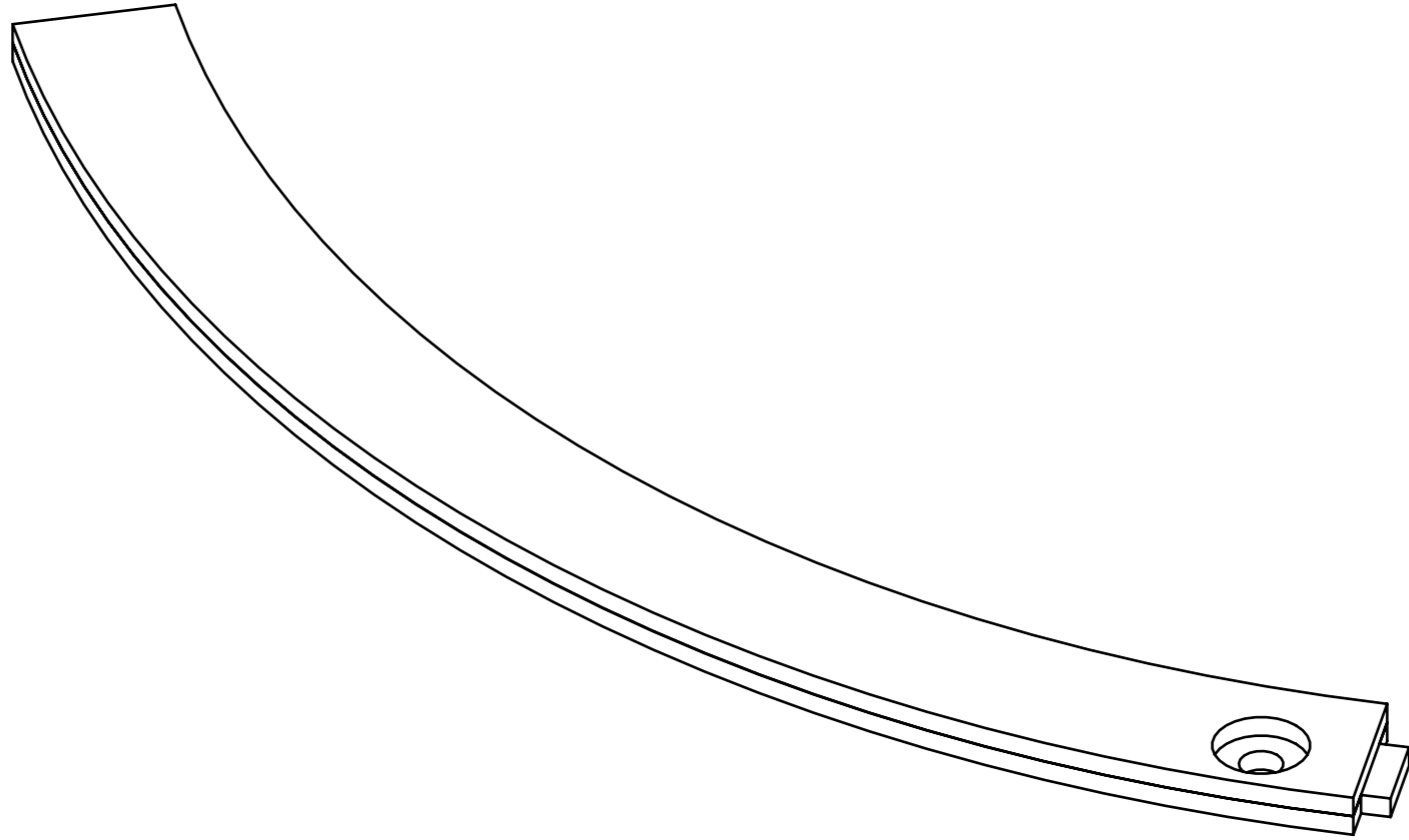
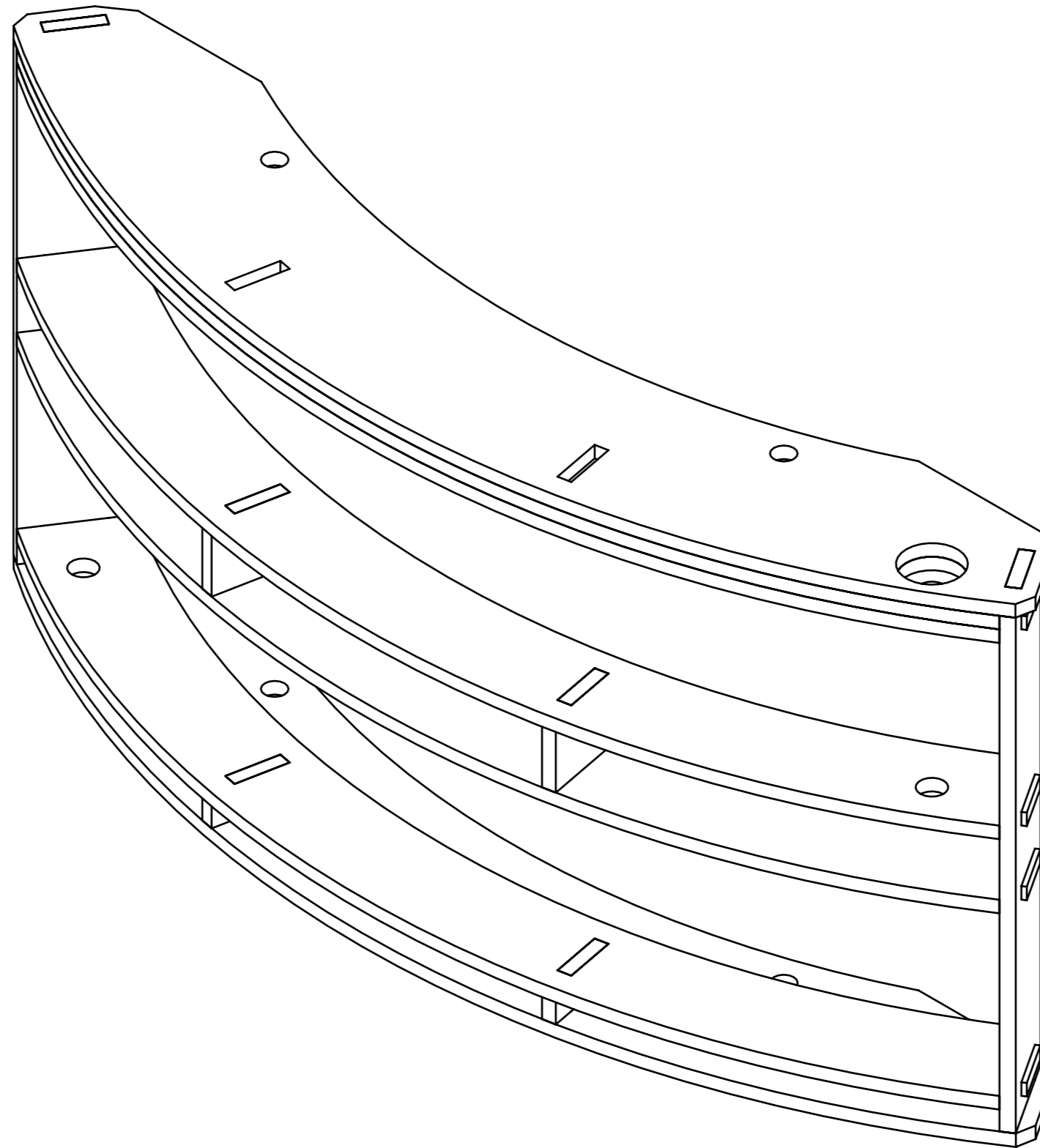


| ITEM | DESCRIPTION                             | THK | QTY. |
|------|---|-----|------|
| 1    | AB - BASE                               |     | 3    |
| 2    | AB - BASE - TOP                         |     | 1    |
| 3    | AB - END                                |     | 2    |
| 4    | AB - BASE - NO TAB                      |     | 1    |
| 5    | AB - SPACER                             |     | 4    |
| 6    | AB - BOTTOM PL                          |     | 2    |
| 7    | AB - BOTTOM RIB                         |     | 2    |
| 8    | AB - BOTTOM RIB - LONG                  |     | 2    |
| 9    | AB - ROUND SPACER                       |     | 8    |
| 10   | AB - SKIN                               | 1   | 1    |
| 11   |   |     |      |
| 12   | 6mm ID BRASS TUBE (FROM HOBBY SHOP)     |     | 2    |
| 13   | FRONT ARM                               |     | 2    |
| 14   | Nyloc Nut Thin M6                       |     | 2    |
| 15   | Machine Screw Phillips Pan Head M6 x 55 |     | 2    |

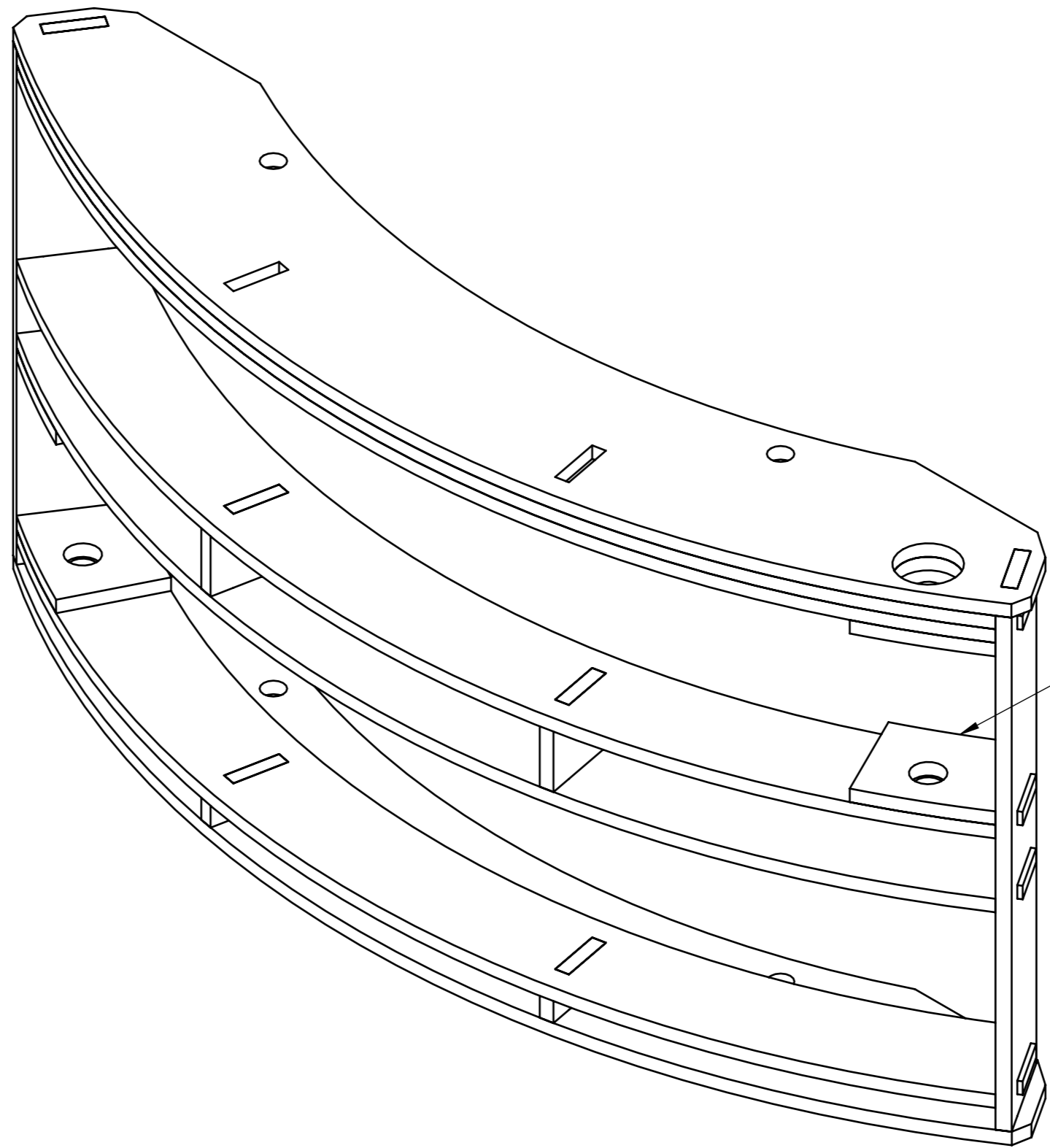


STEP 1



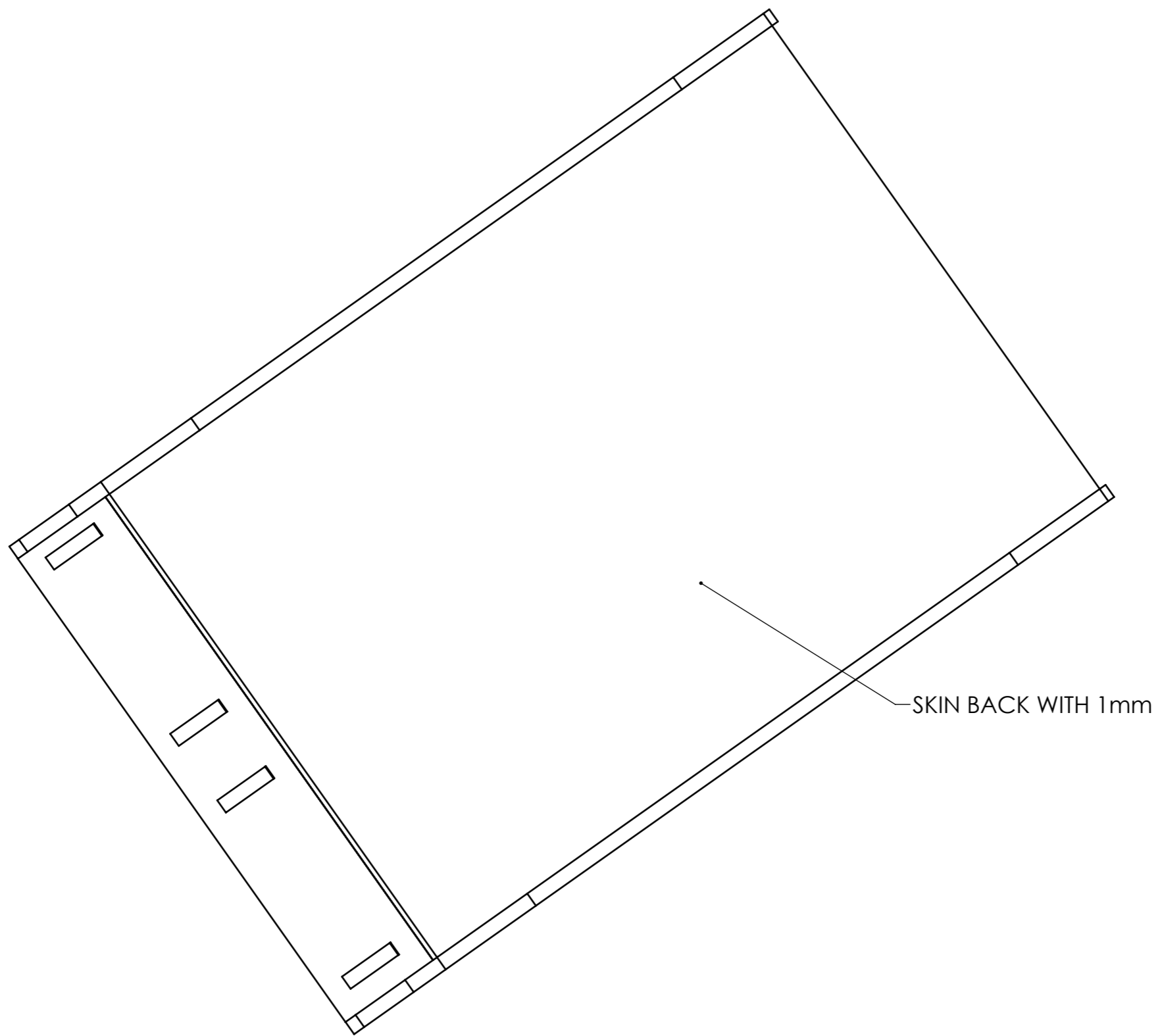
DRY ASSEMBLE  
BEFORE GLUEING

STEP 2

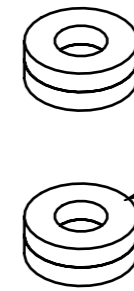
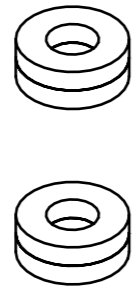


ADD 4x DOUBLING PLATES

STEP 3

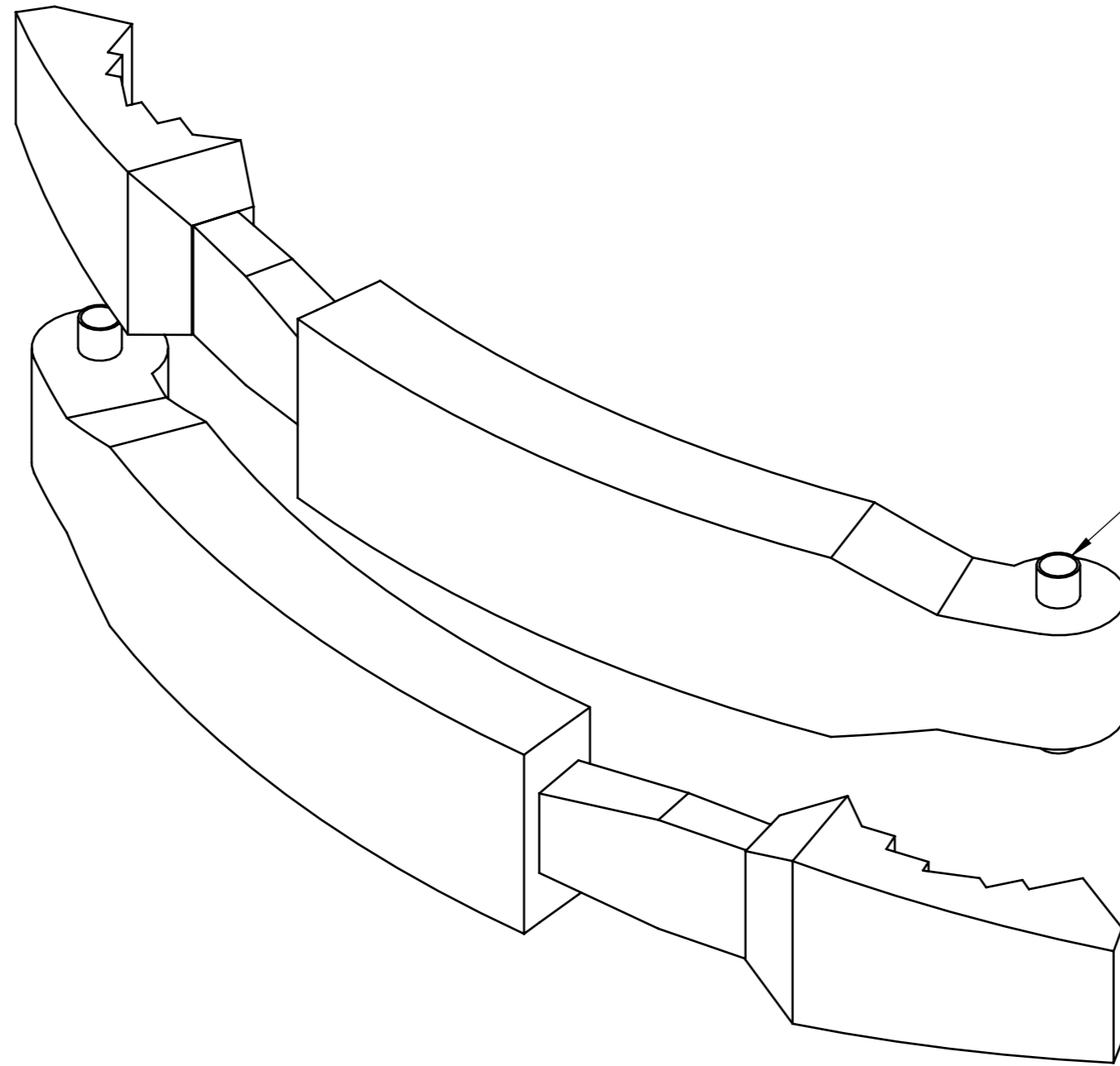


STEP 4

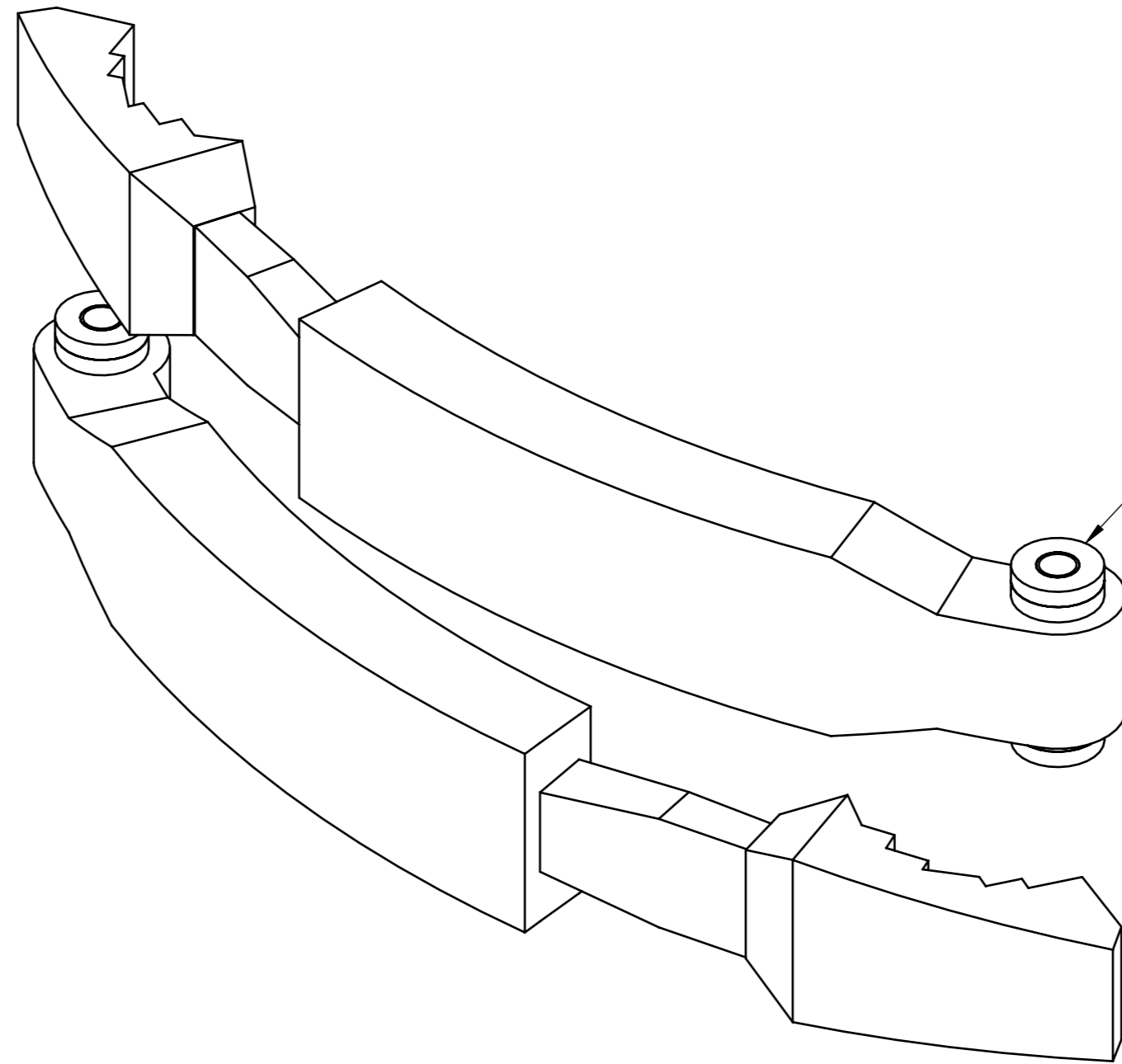


MAKE 4 SETS  
OF SPACERS

STEP 5

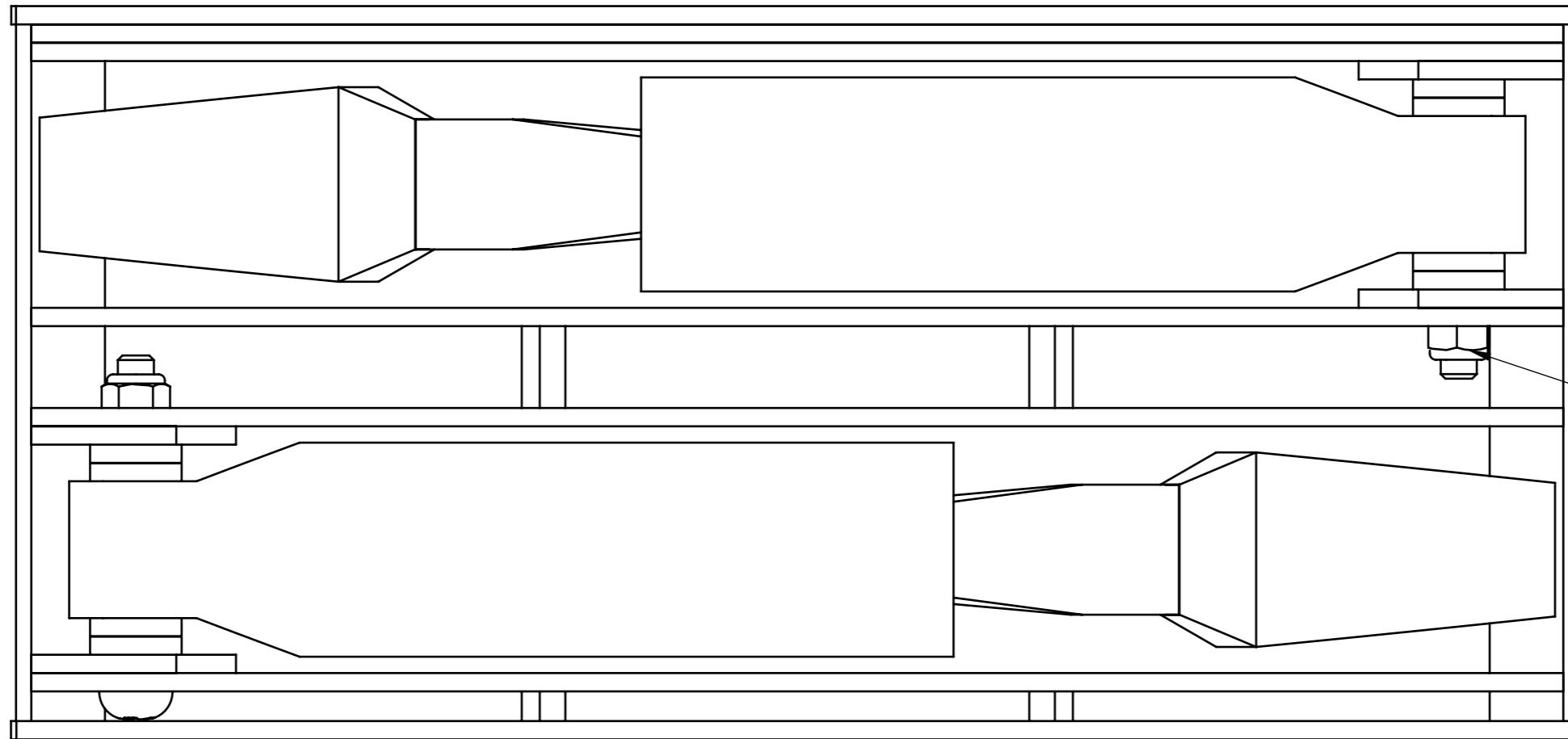


ADD BRASS BUSHES TO  
ARMS - GLUE IN PLACE  
CHECK LENGTH IS SUITABLE  
(REFER STEP 7)



— LOOSE FIT SPACER  
ONTO BRASS ARMS  
(NO GLUE)





SNUG FIT NUT  
DO NOT OVER TIGHTEN

STEP 8