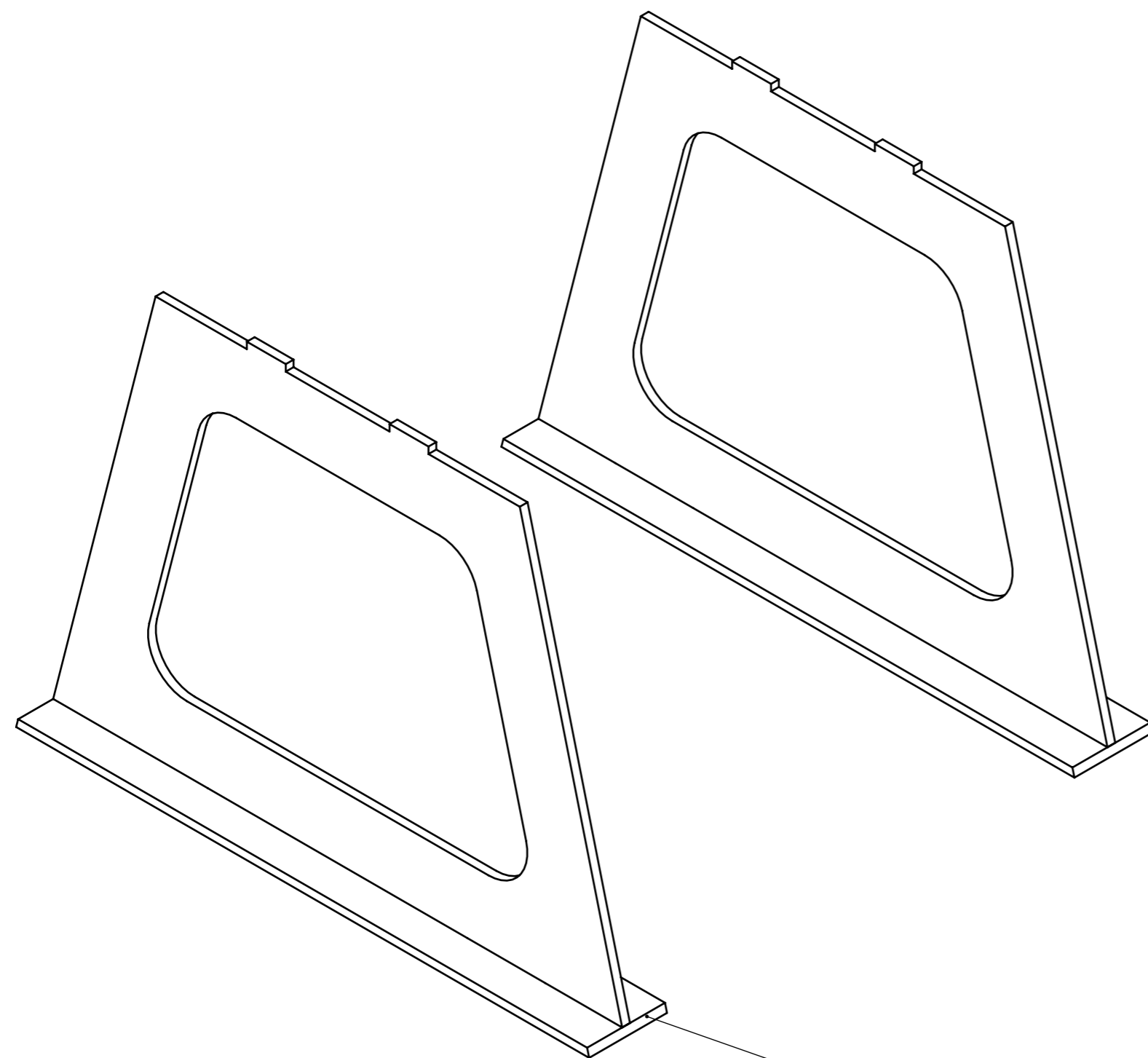
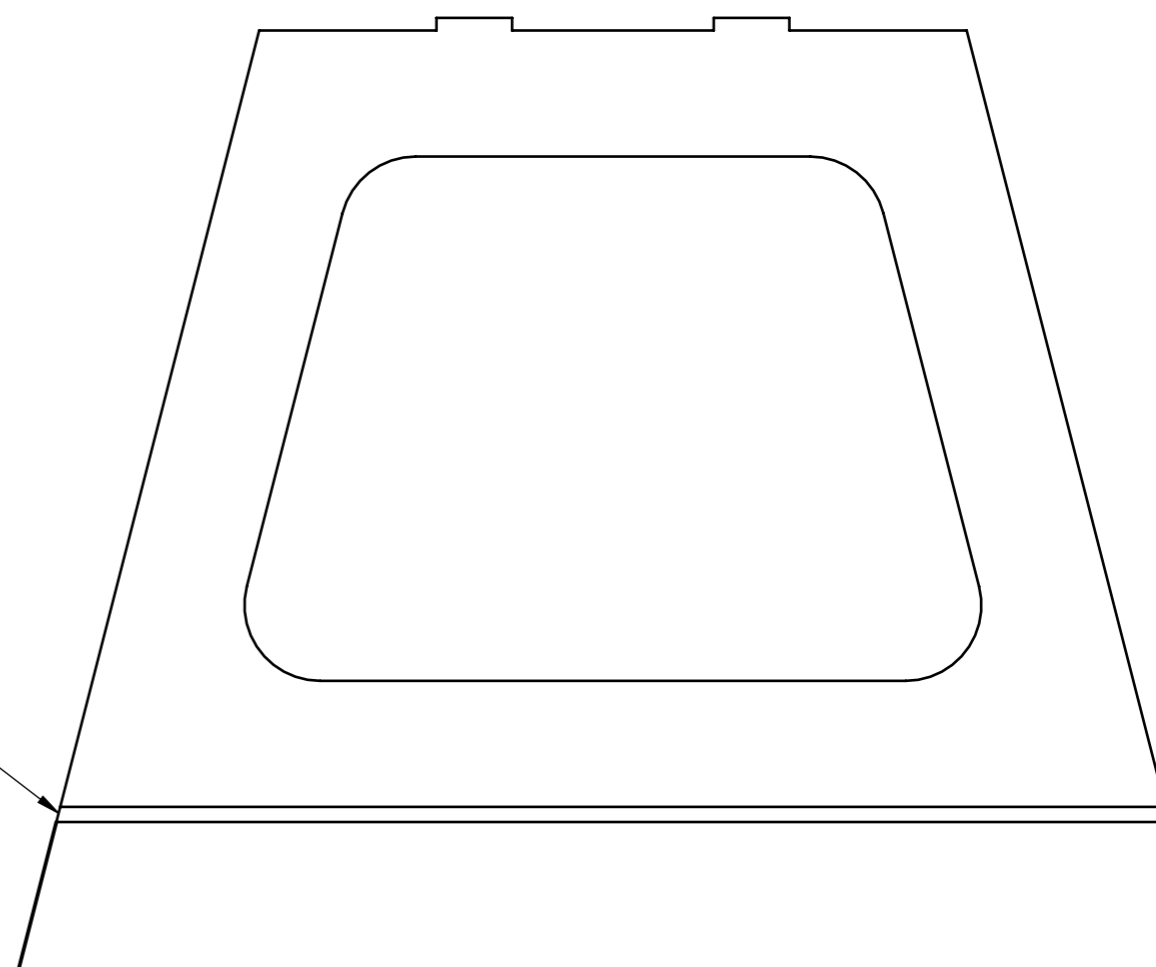


STEP 1

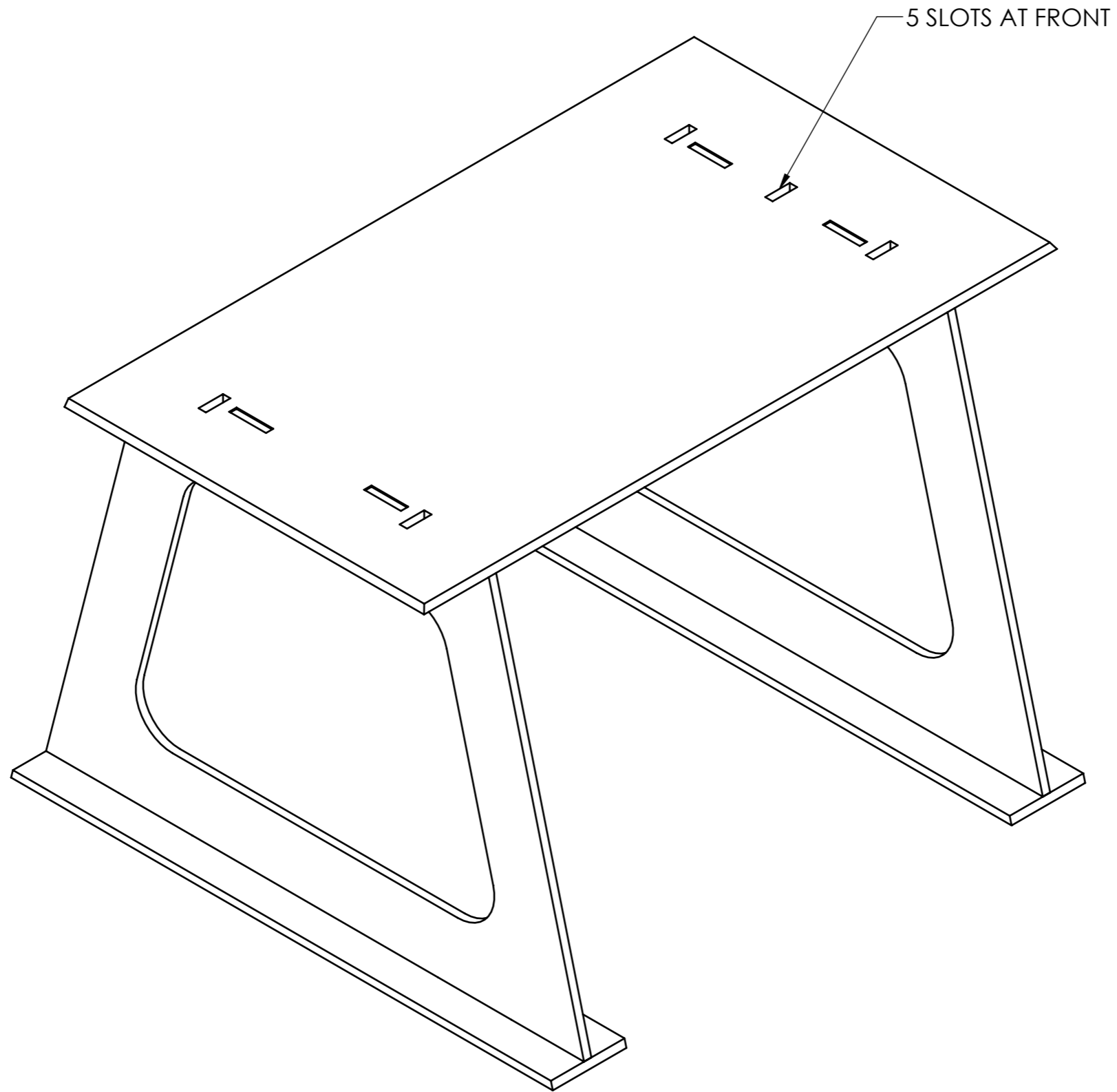


MAKE 2 FRAMES

SAND / FILE BOTTOM
STRIP TO BE FLUSH WITH
MAIN FRAME



STEP 2



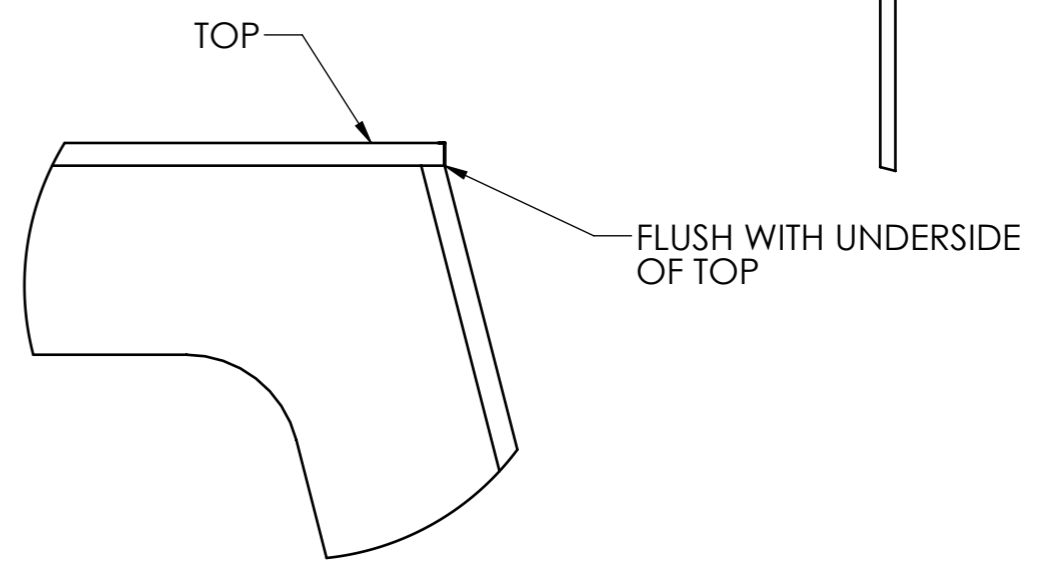
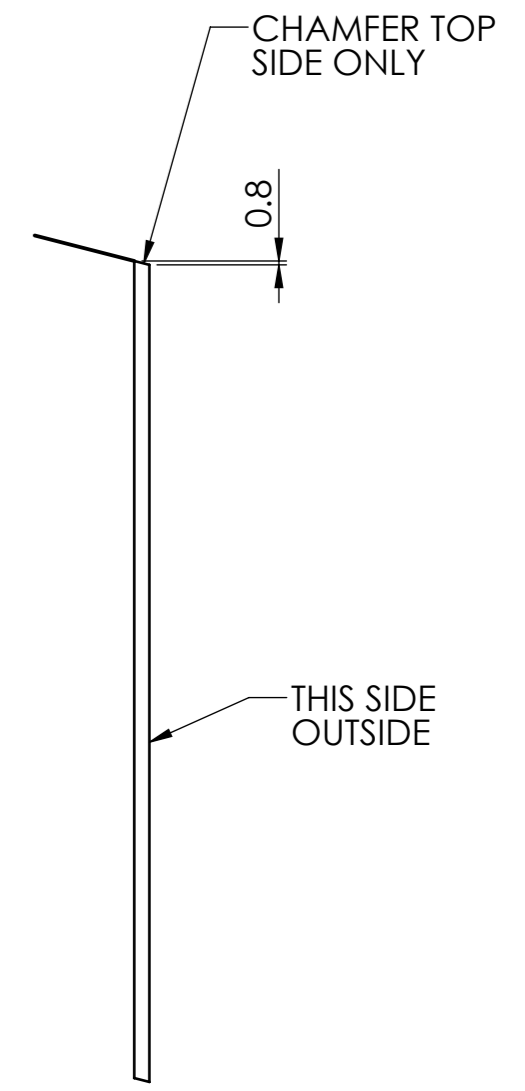
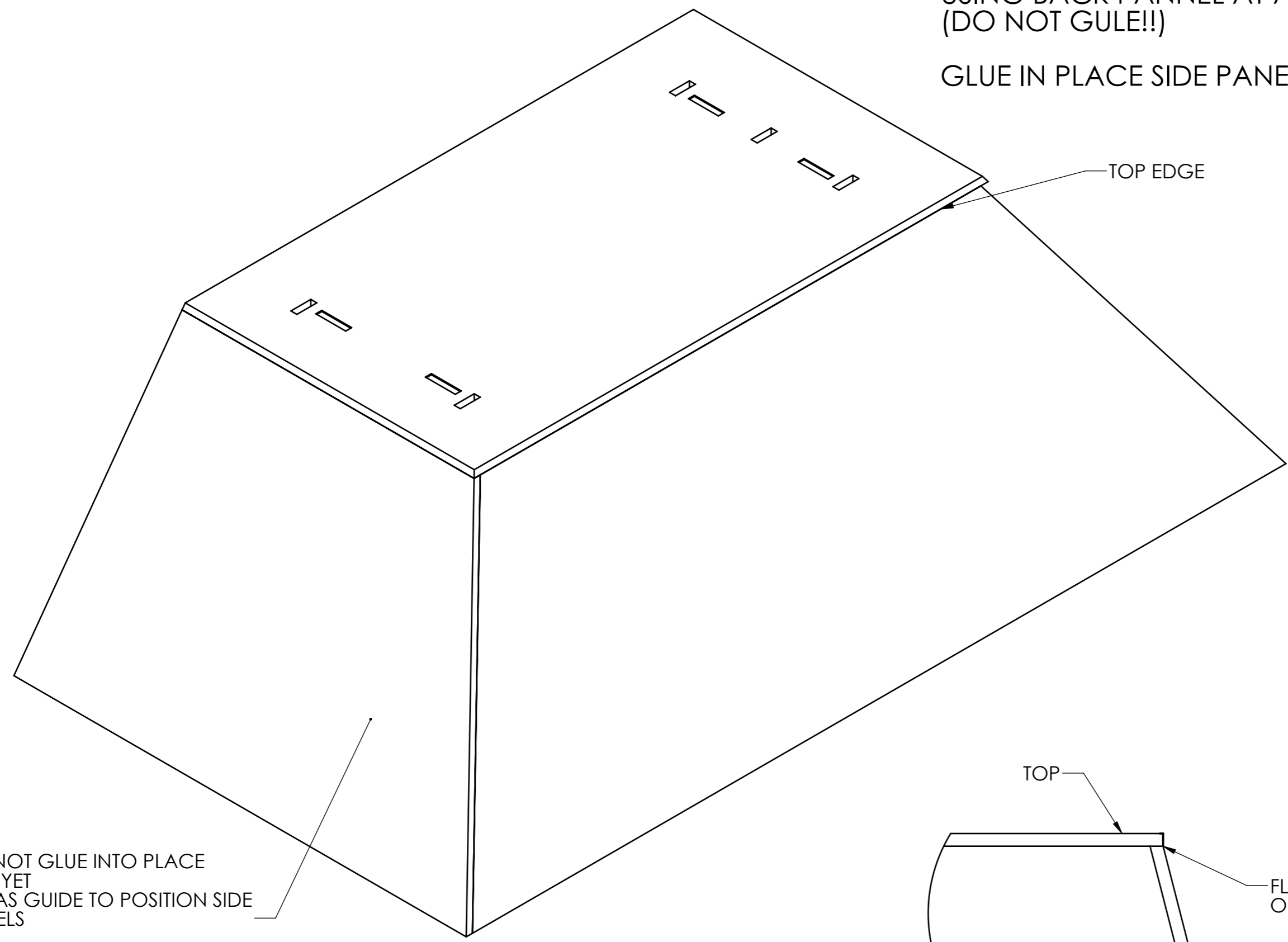
ADD TOP

STEP 3

FILE/SANDER/PLANE TOP CHAMFER ON SIDE PANELS

USING BACK PANNEL AT A GUIDE ONLY
(DO NOT GULE!!)

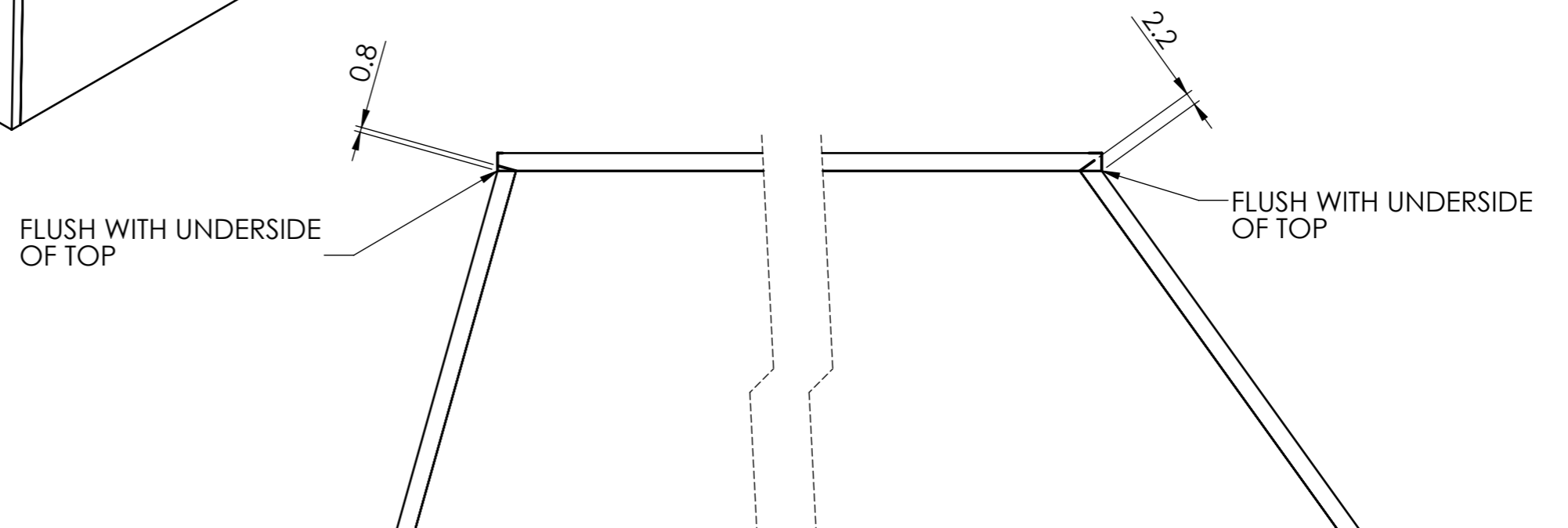
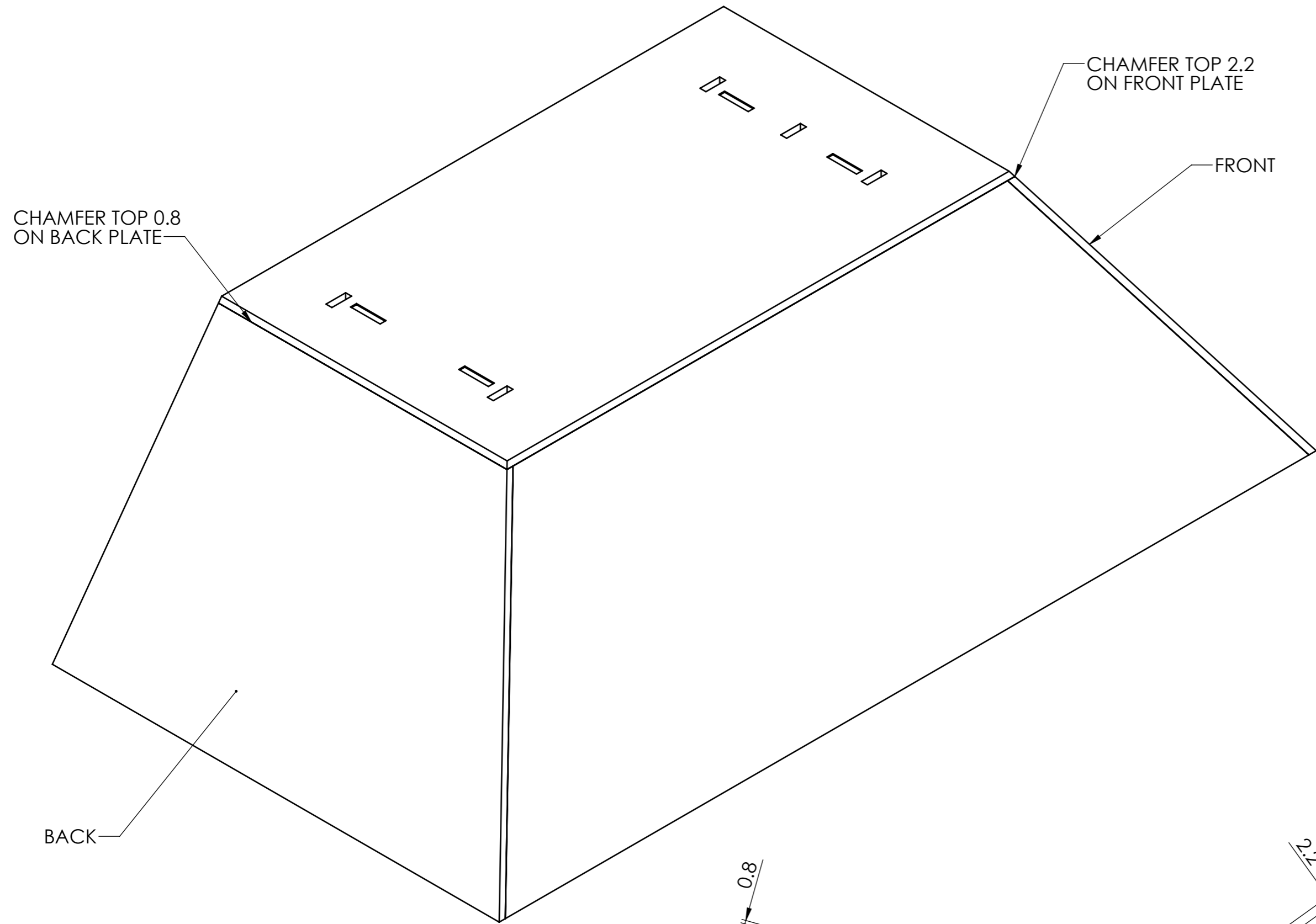
GLUE IN PLACE SIDE PANELS



DO NOT GLUE INTO PLACE
JUST YET
USE AS GUIDE TO POSITION SIDE
PANELS

STEP 4 PART 1

NOW GLUE IN FRONT
AND BACK PANELS



CHAMFER TOP 0.8
ON BACK PLATE

CHAMFER TOP 2.2
ON FRONT PLATE

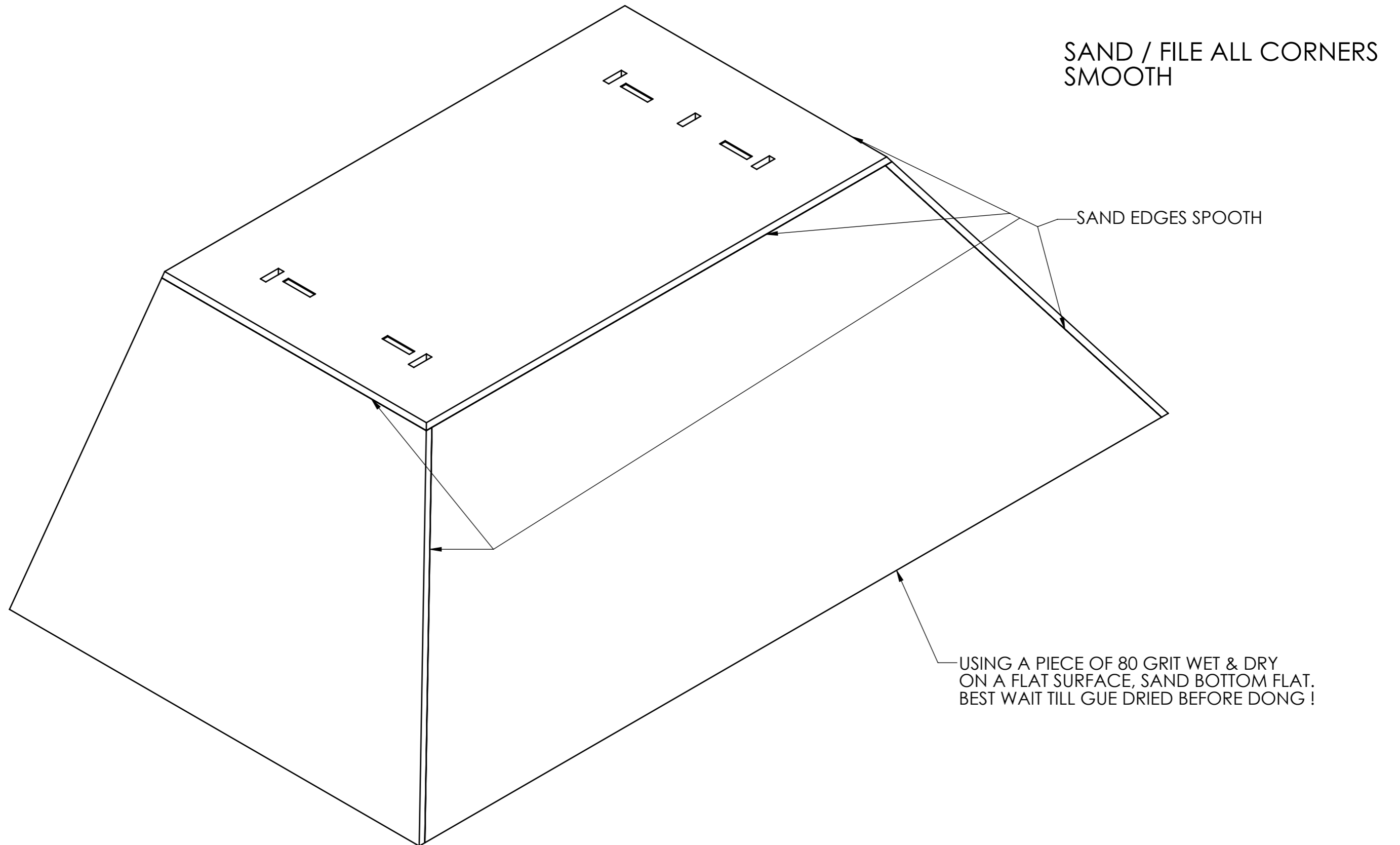
FRONT

BACK

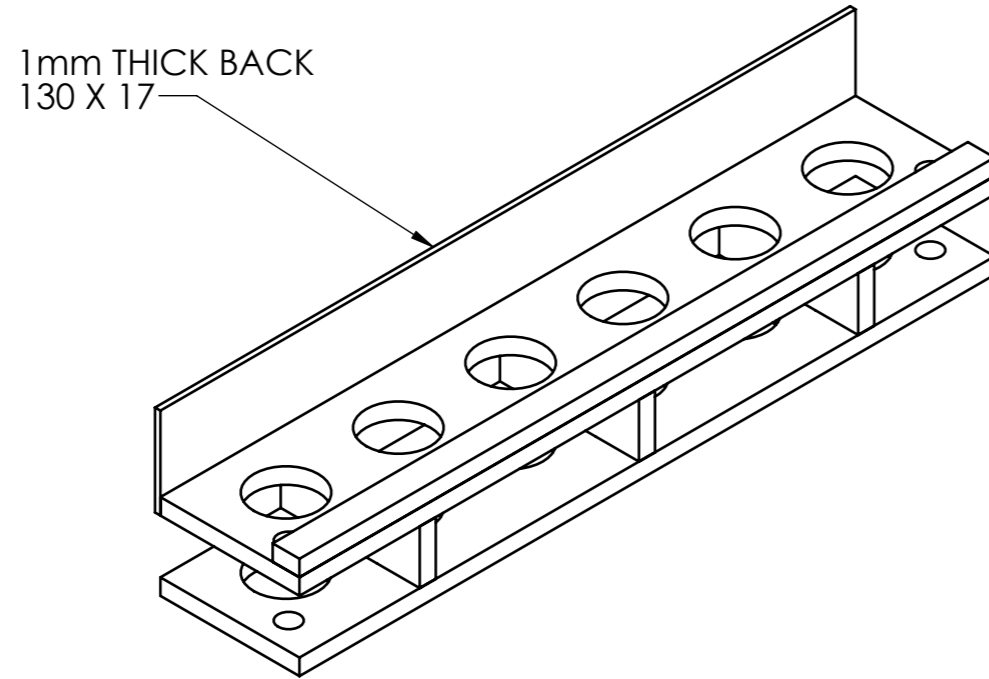
FLUSH WITH UNDERSIDE
OF TOP

FLUSH WITH UNDERSIDE
OF TOP

STEP 4 PART 2

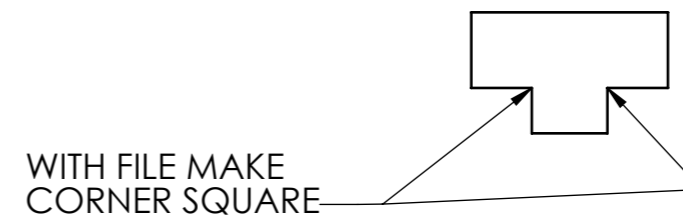
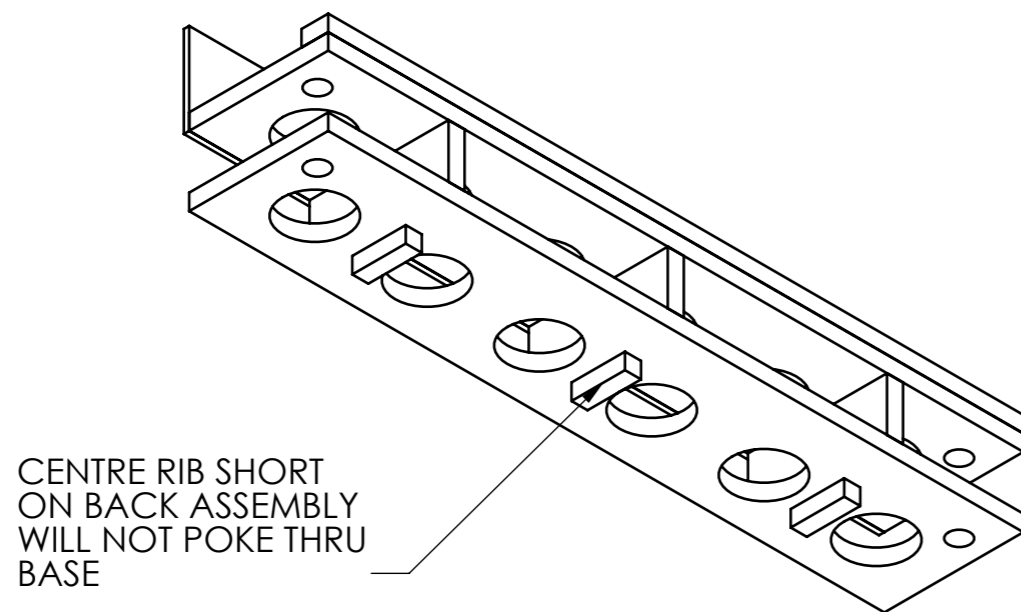


STEP 5

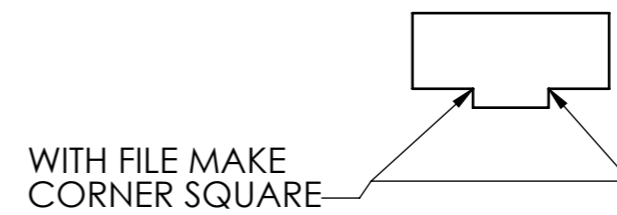


MAKE 2 UNITS

NOTE!
BACK ONE HAS A SHORT TAB
ON CENTRE RIB



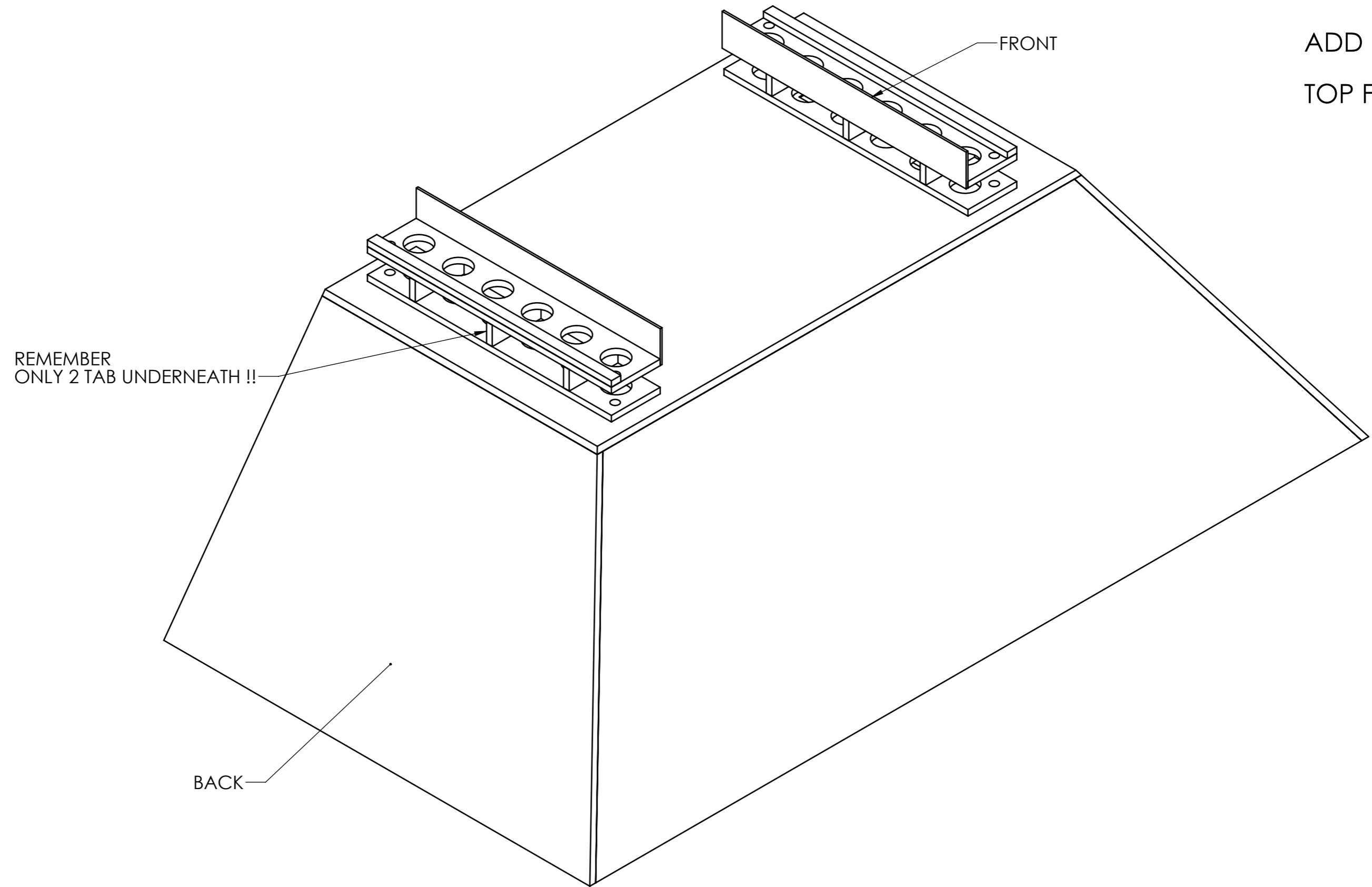
YOU WILL HAVE 5 LONG



AND 1 SHORT
(SHORT CENTRE BACK)

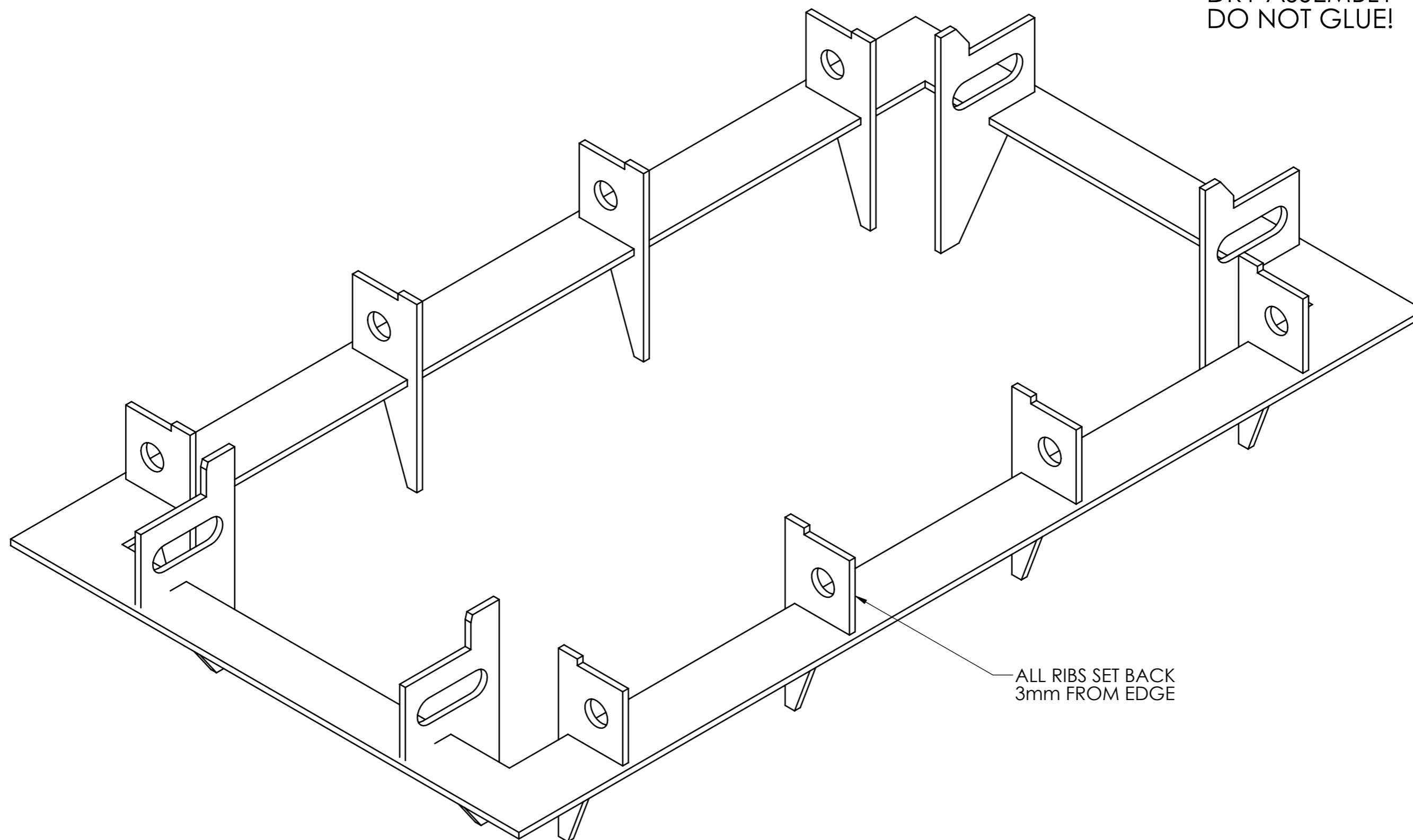
STEP 6

ADD DETAIL
TOP FINISHED !



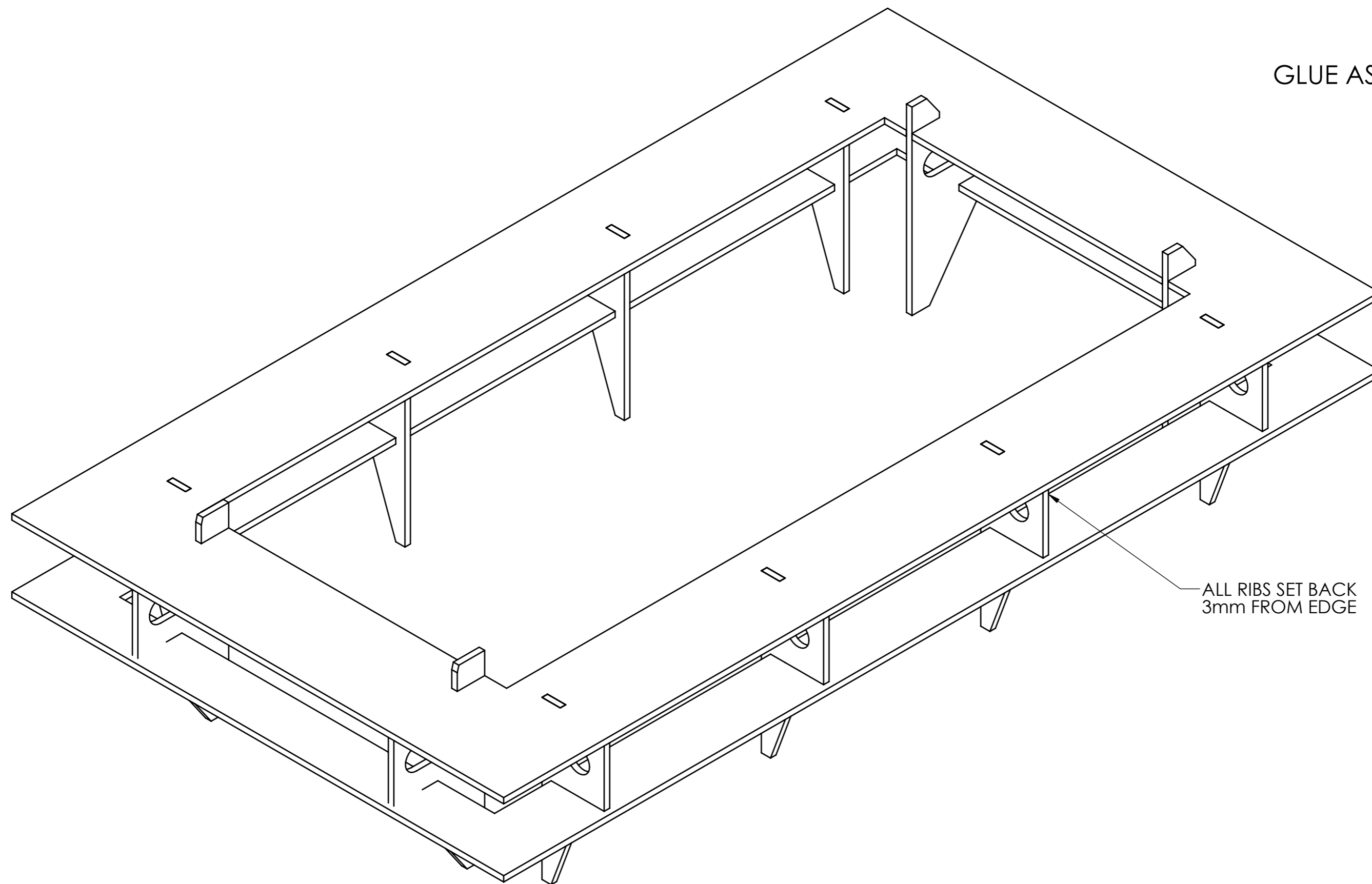
STEP 7

DRY ASSEMBLY
DO NOT GLUE!



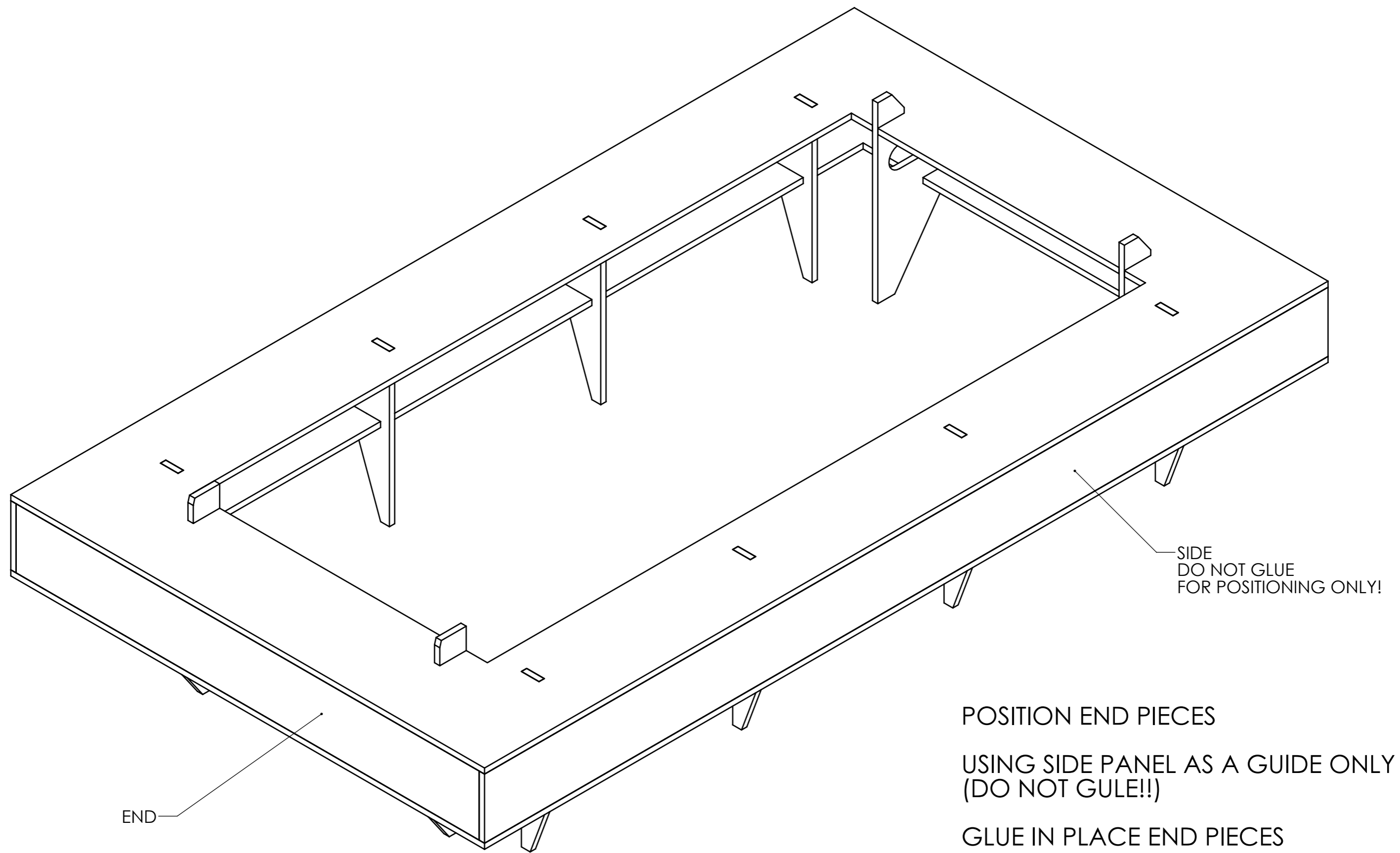
STEP 8

GLUE ASSEMBLY

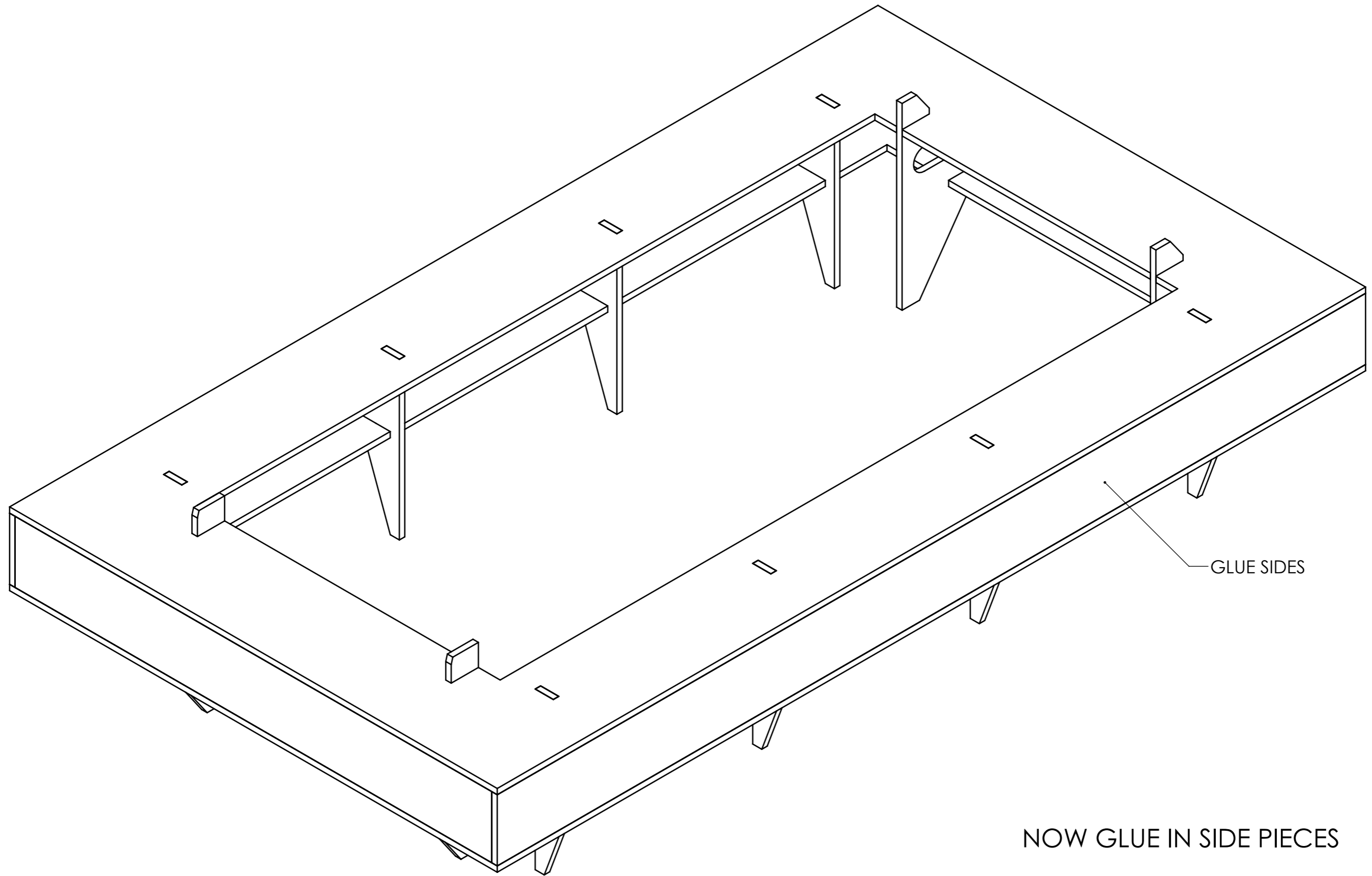


ALL RIBS SET BACK
3mm FROM EDGE

STEP 9



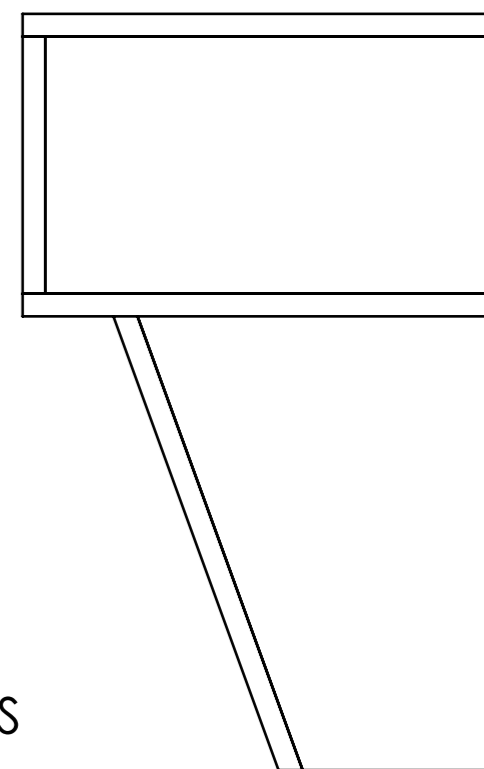
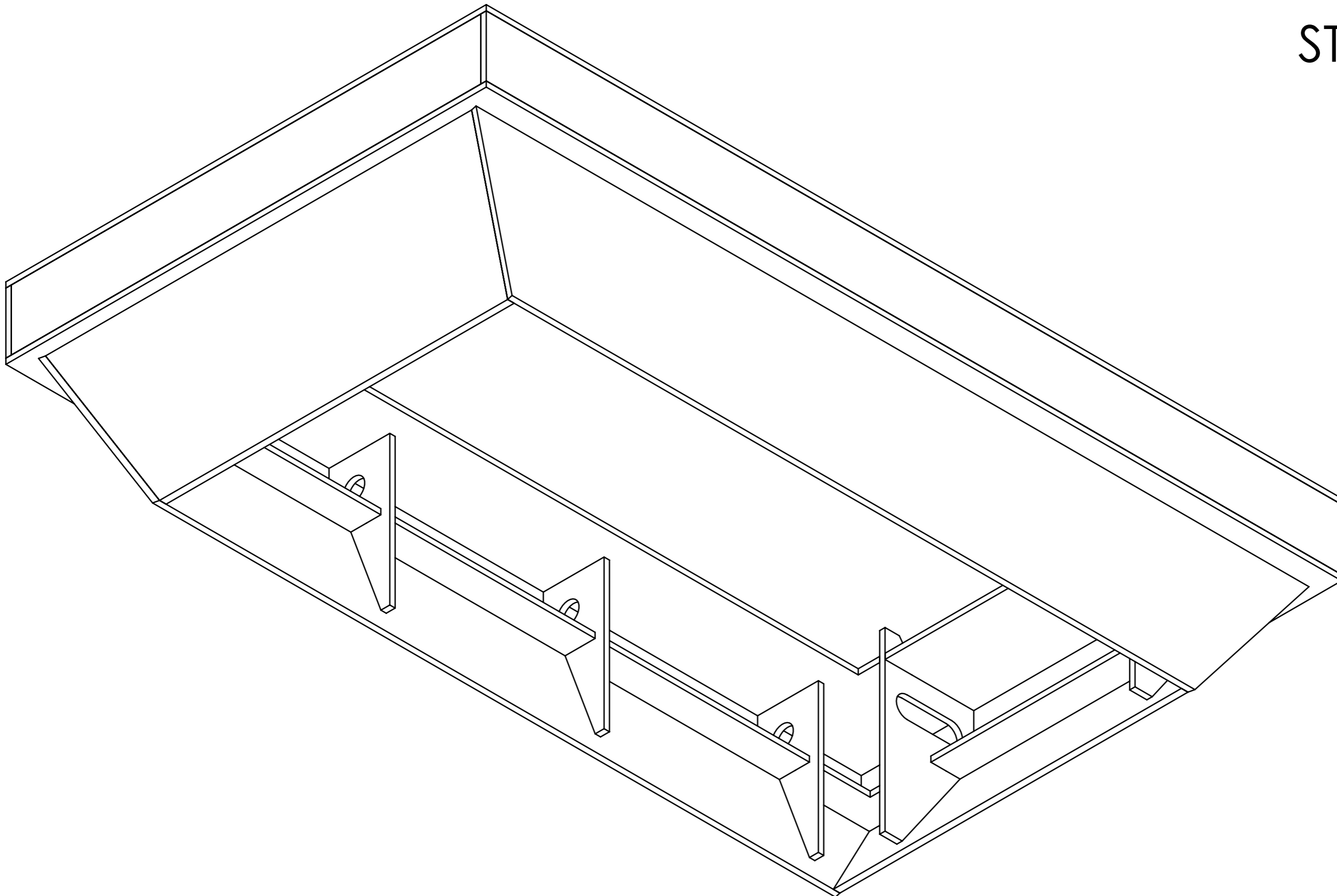
STEP 10



GLUE SIDES

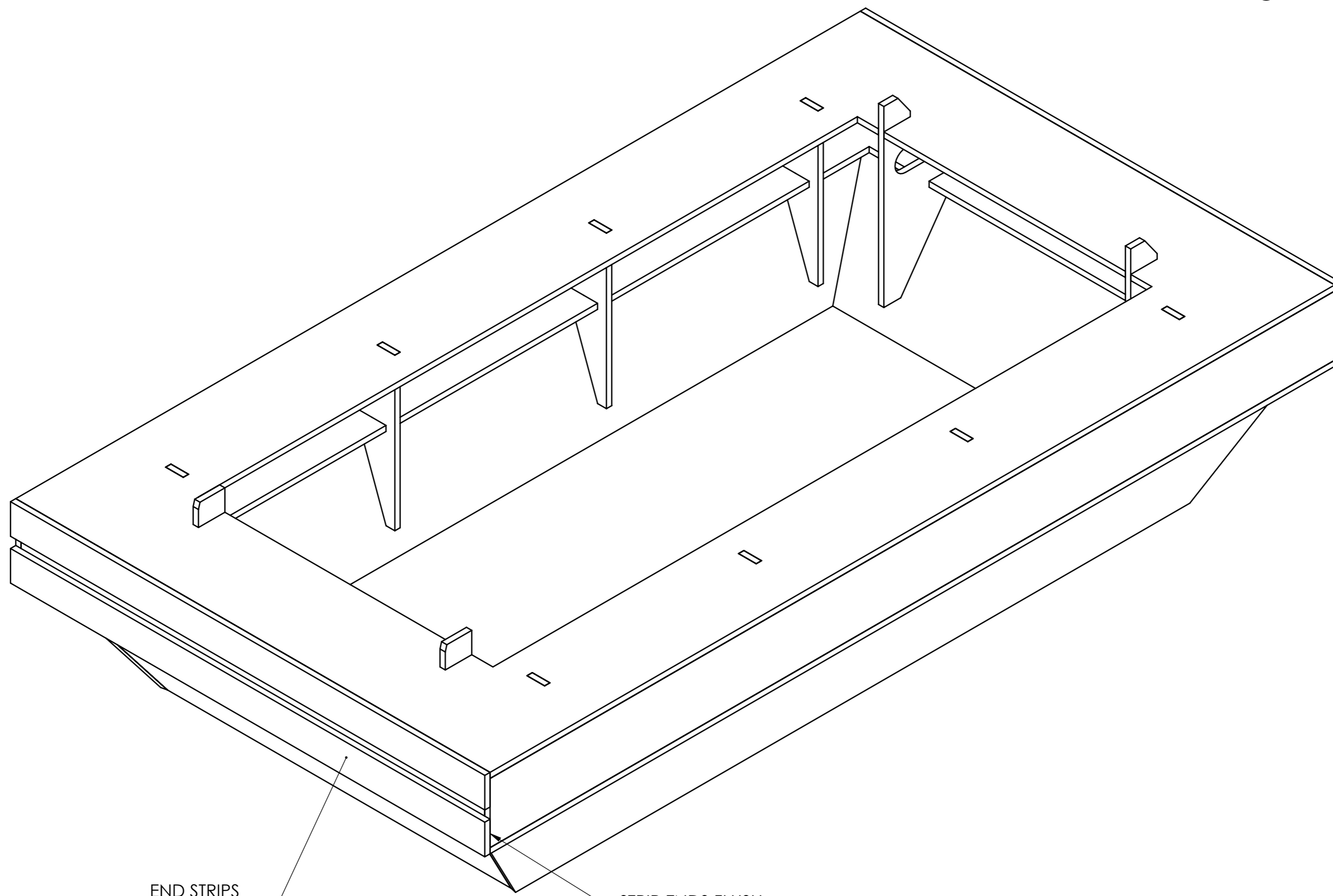
NOW GLUE IN SIDE PIECES

STEP 12



NOW GLUE IN SKIRT SIDES

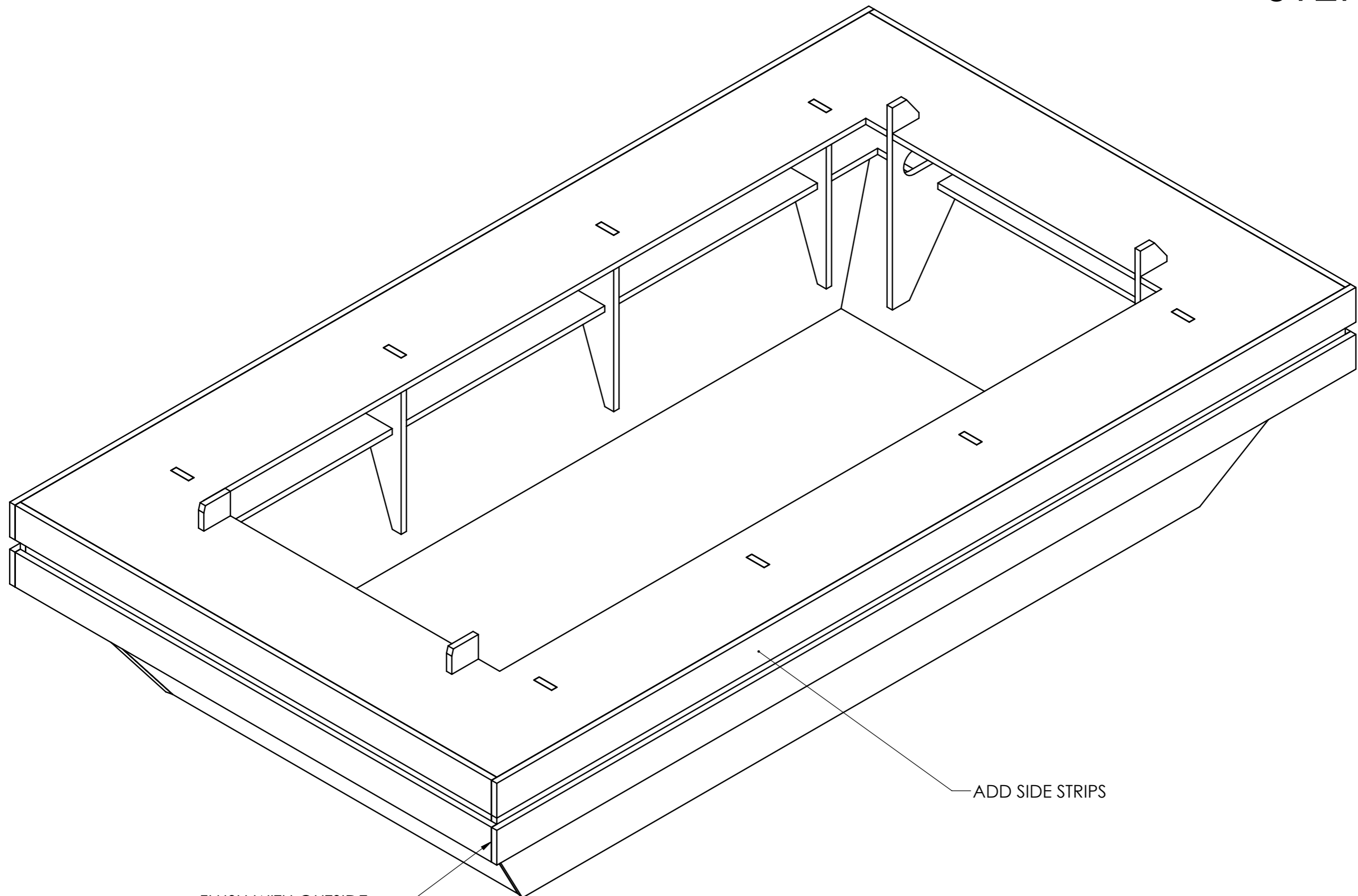
STEP 13



END STRIPS
(BOTH ENDS)

STRIP ENDS FLUSH
WITH SIDES

STEP 14



FLUSH WITH OUTSIDE
OF END STRIPS

ADD SIDE STRIPS

DONE !