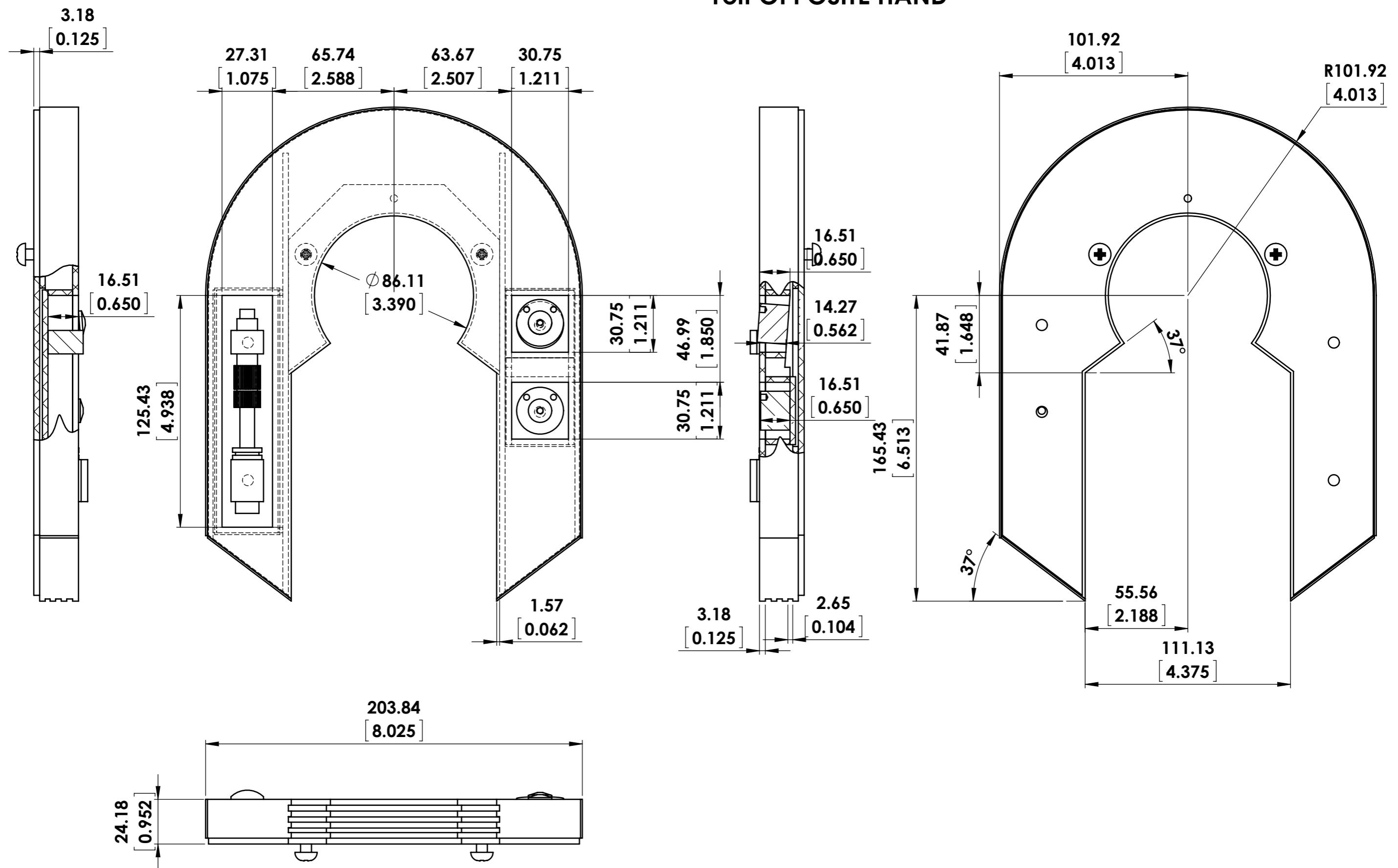
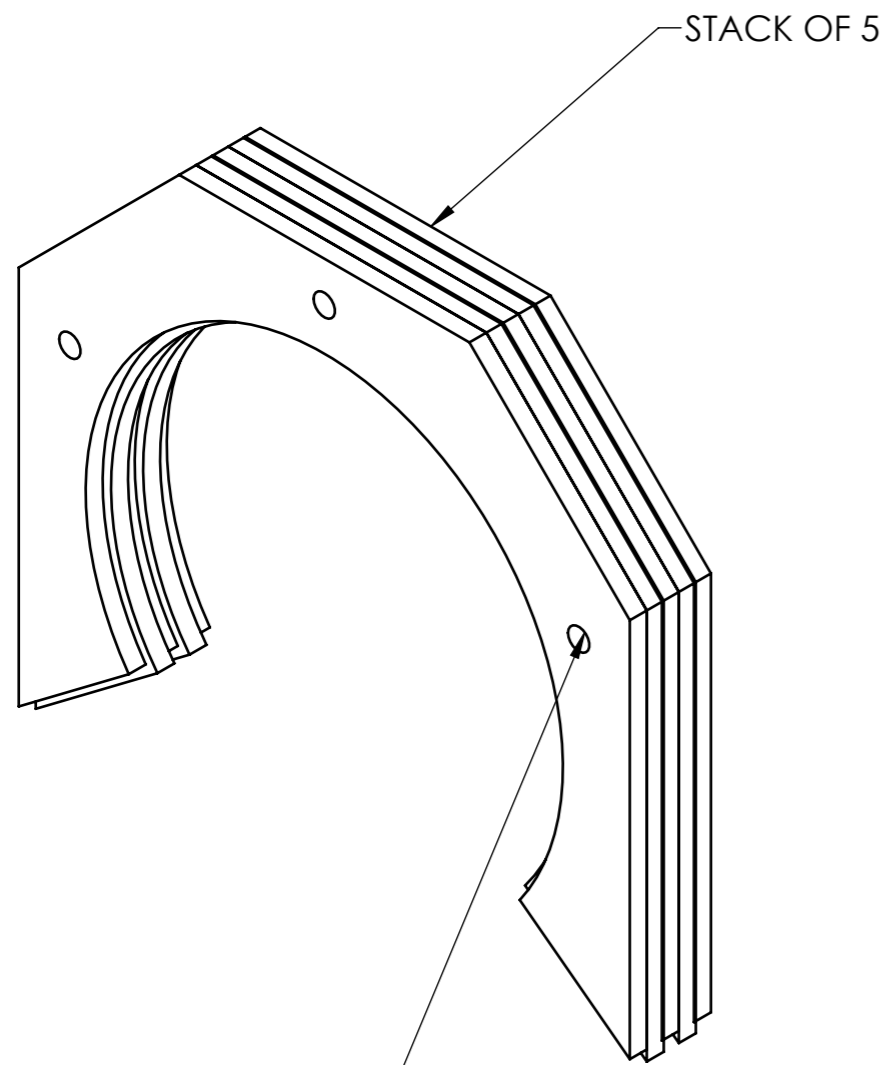


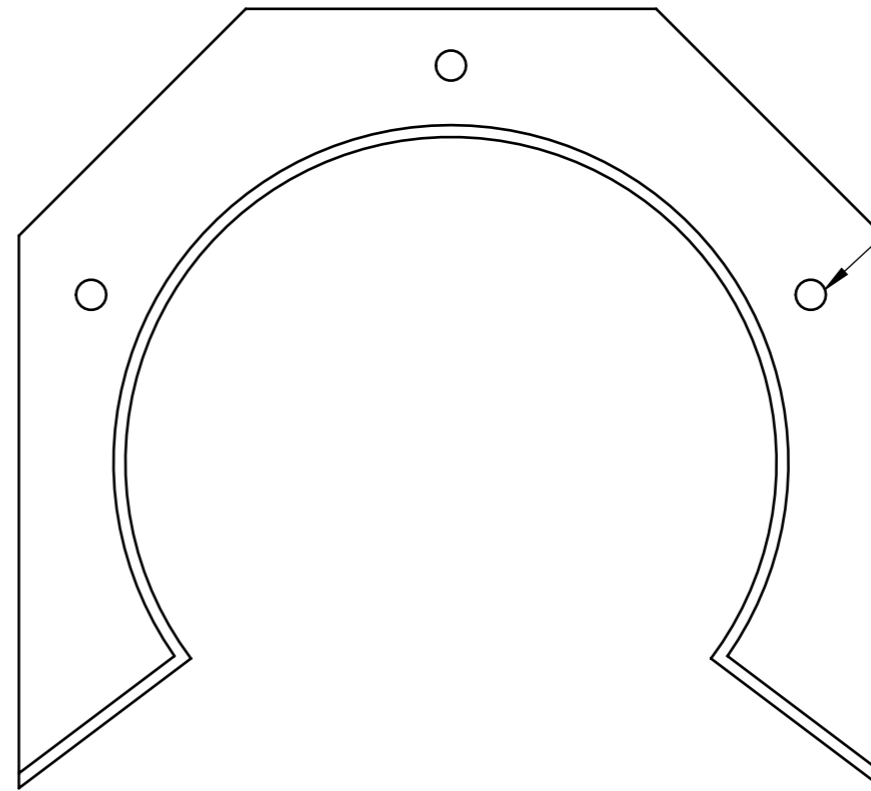
1 off AS DRAWN (RHS)
1 off OPPOSITE HAND



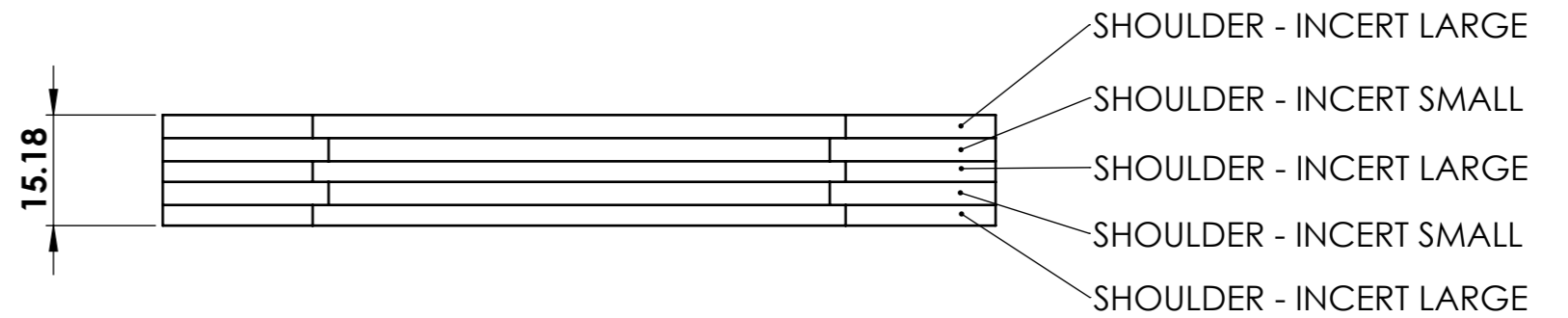


STACK OF 5

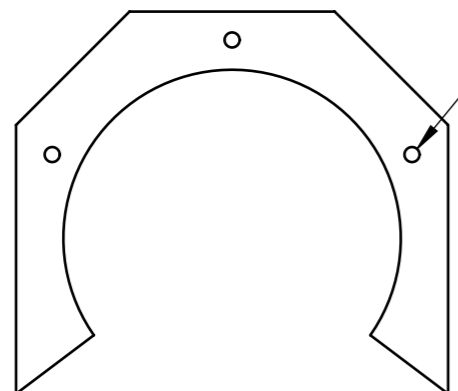
DIA 6 ALIGNING HOLES
CAN USE THE SHANK OF A 6mm
DRILL, OR SIMILAR TO ENSURE CURRECT
ALIGNMENT OF PARTS



NOTE:
INCERT LARGE HAS 3 HOLES
INCERT SMALL ONLY HAS 2

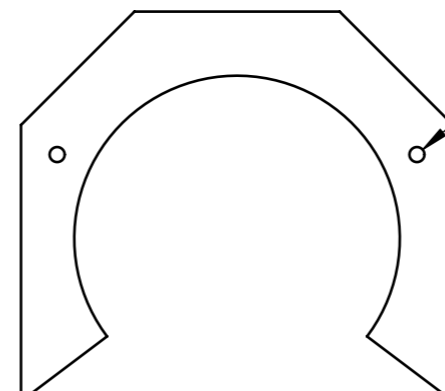


SHOULDER - INCERT LARGE
SHOULDER - INCERT SMALL
SHOULDER - INCERT LARGE
SHOULDER - INCERT SMALL
SHOULDER - INCERT LARGE



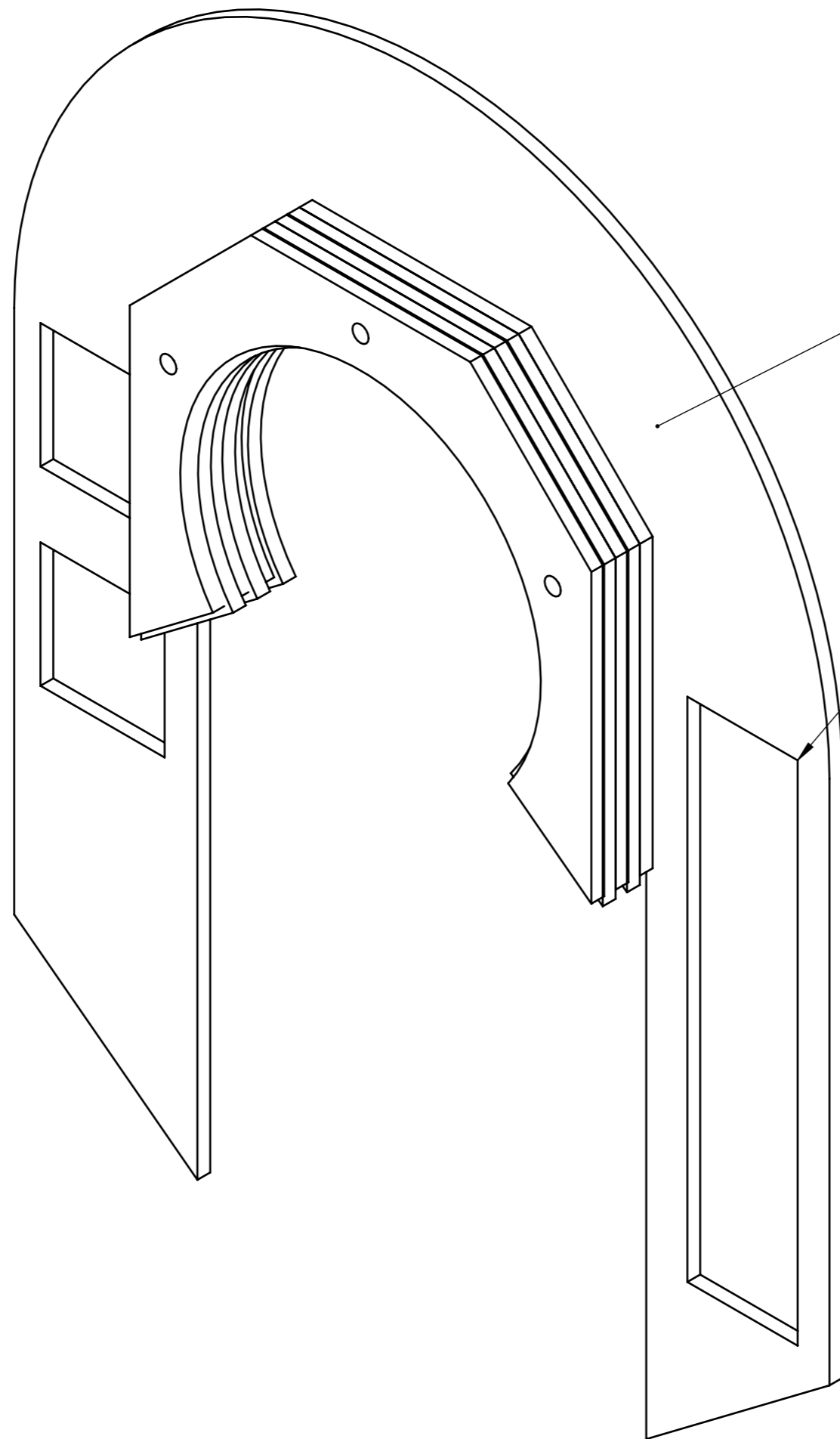
NOTE:
INCERT LARGE HAS 3

SHOULDER - INCERT LARGE



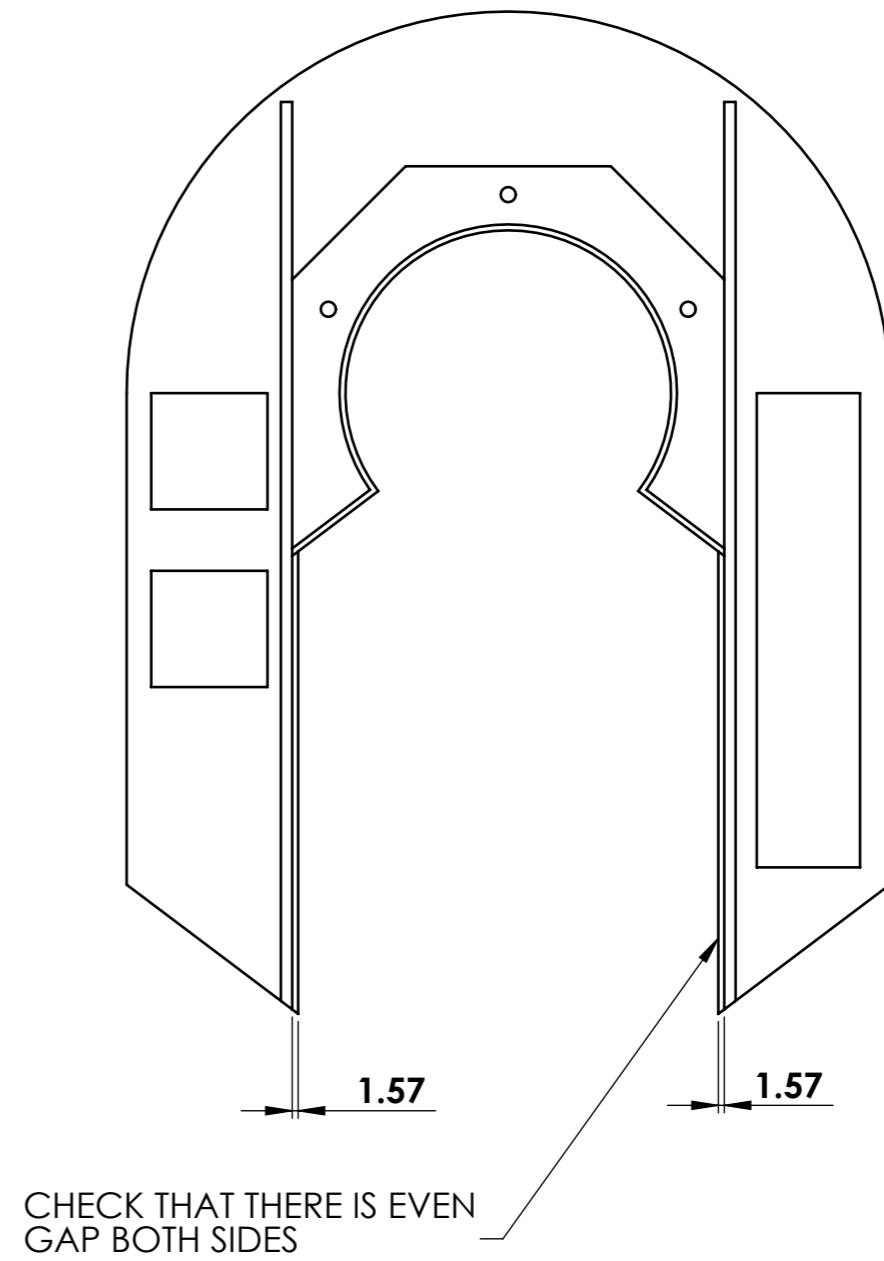
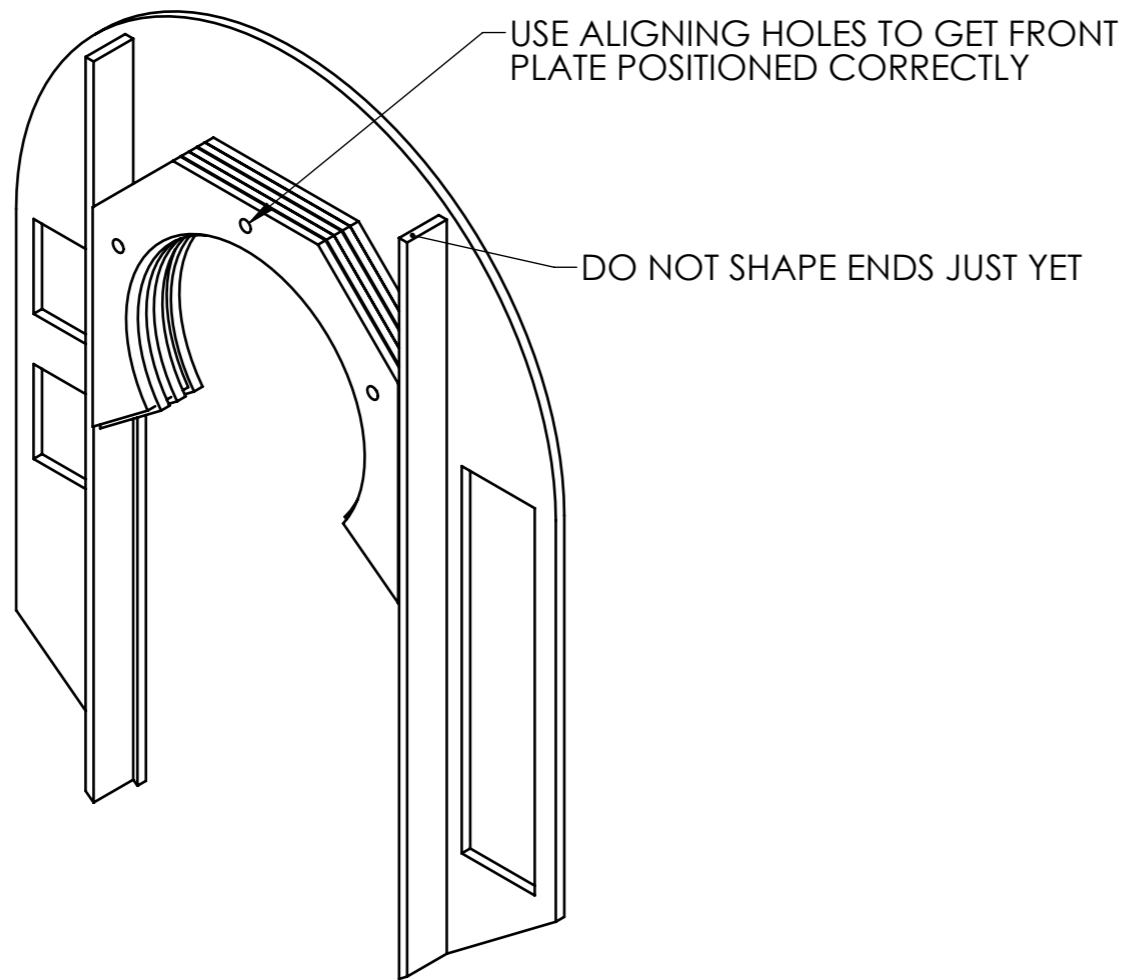
NOTE:
INCERT SMALL ONLY HAS 2

SHOULDER - INCERT SMALL

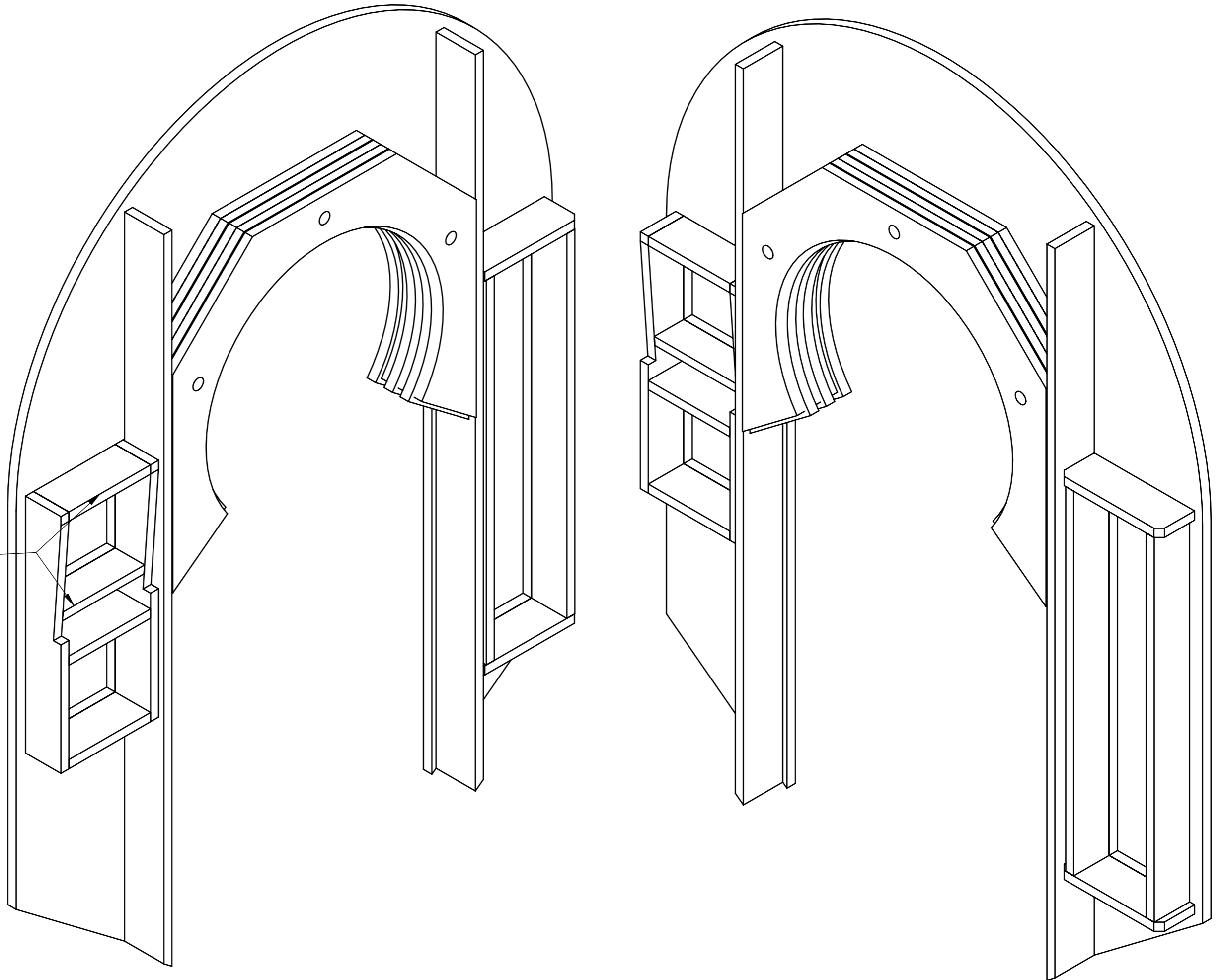


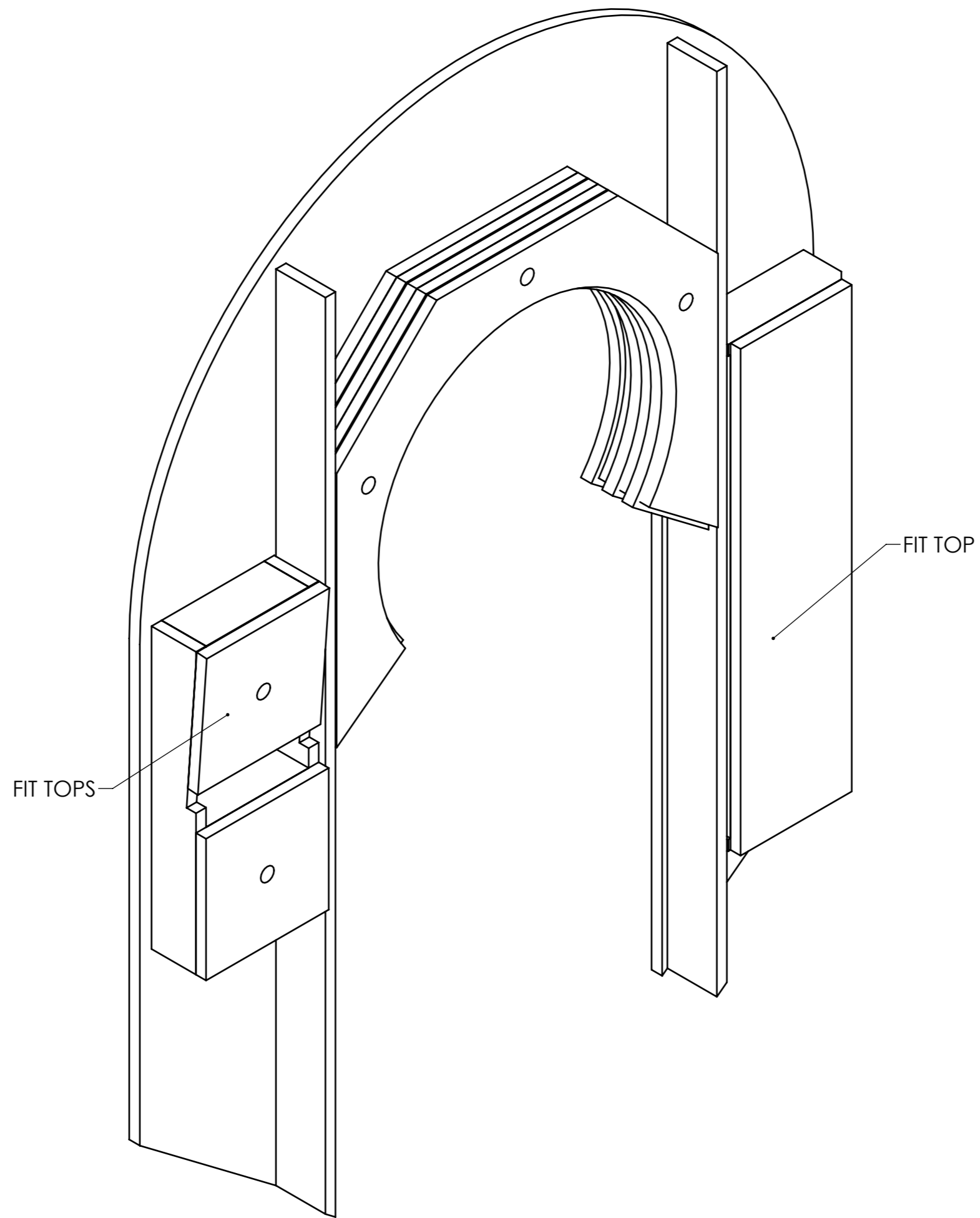
NOTE: NO ALIGNING HOLES

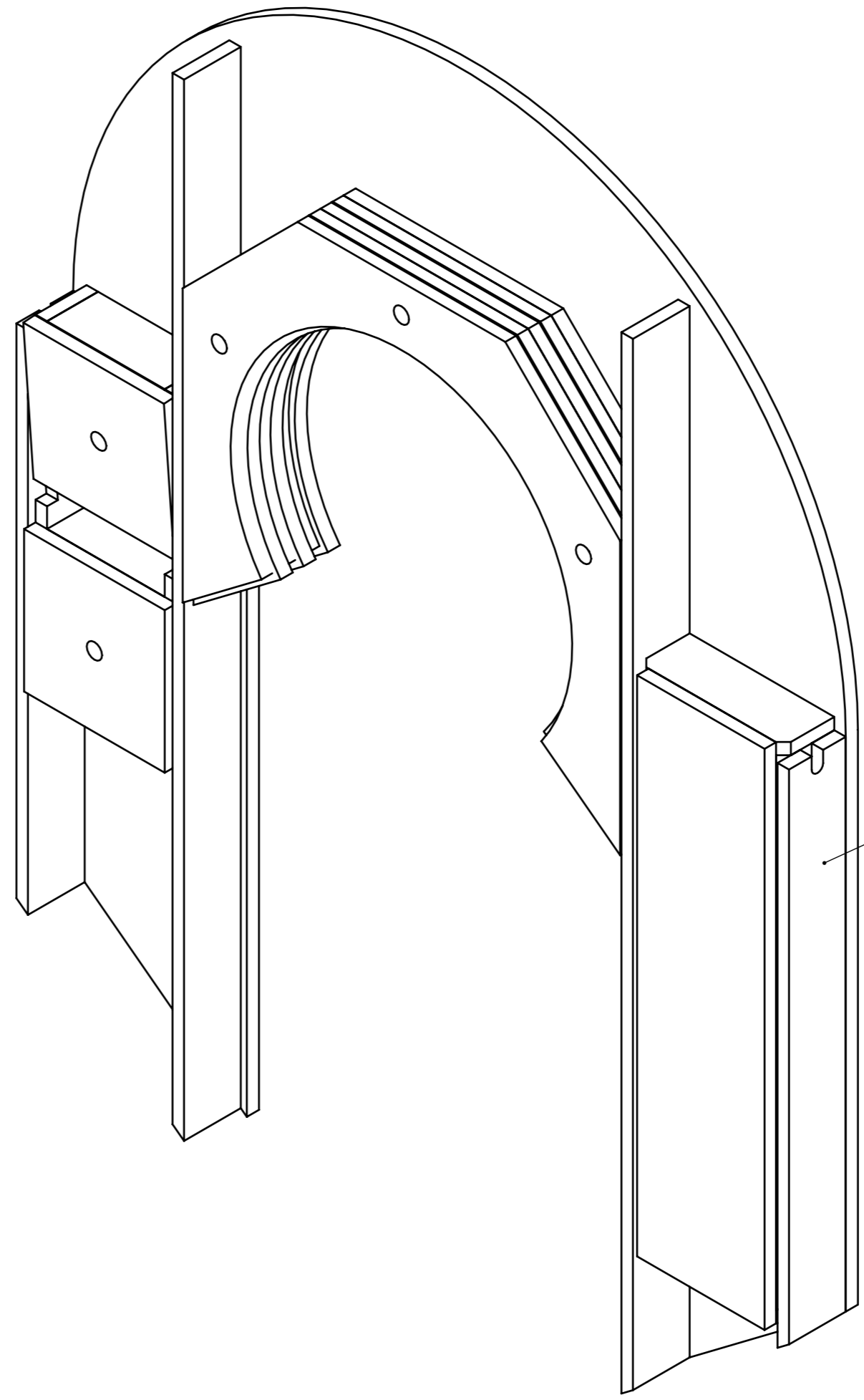
WITH A KNIFE & FILE, SQUARE-OFF ALL INTERNAL CORNERS (12 LOCATIONS)



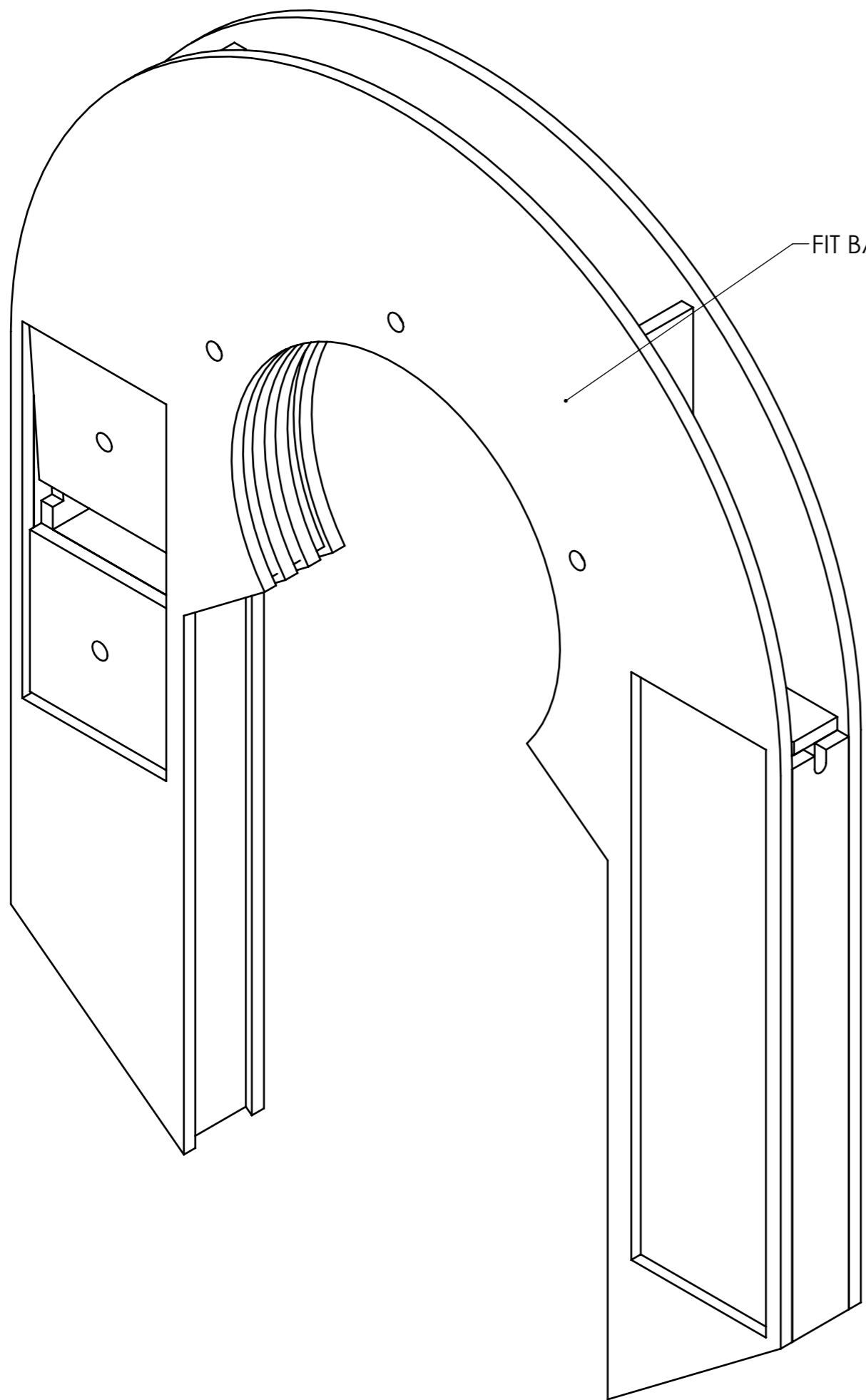
SAND SLOPING ENDS
LEVEL TO SIDES



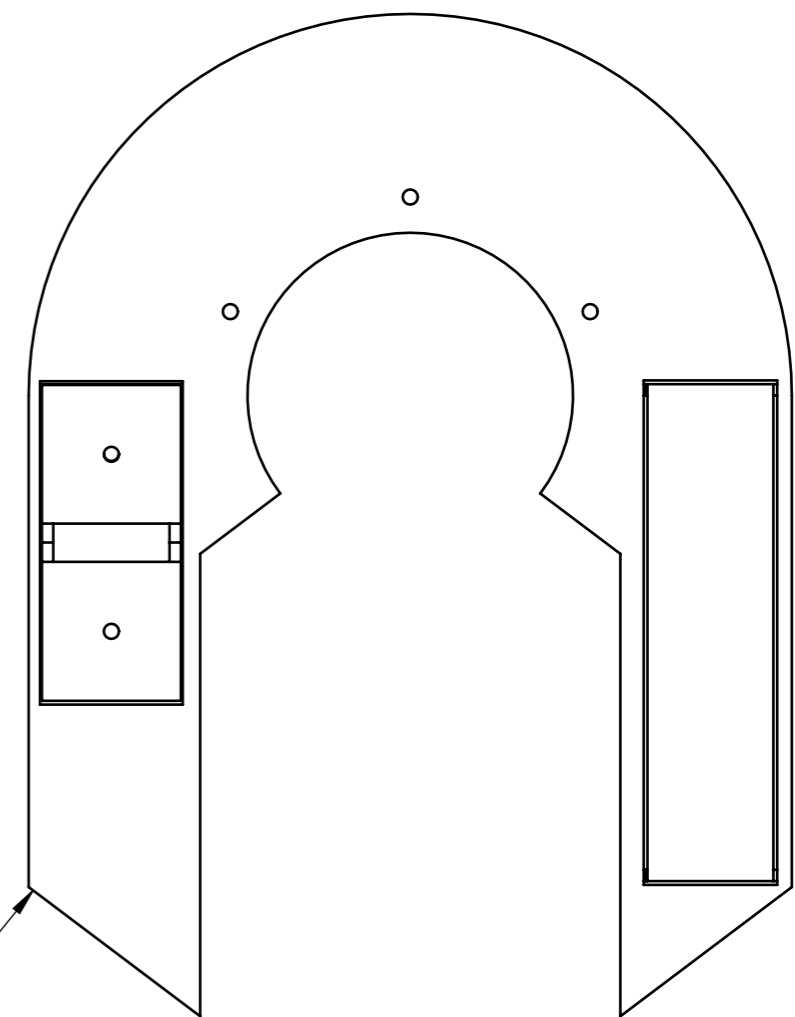




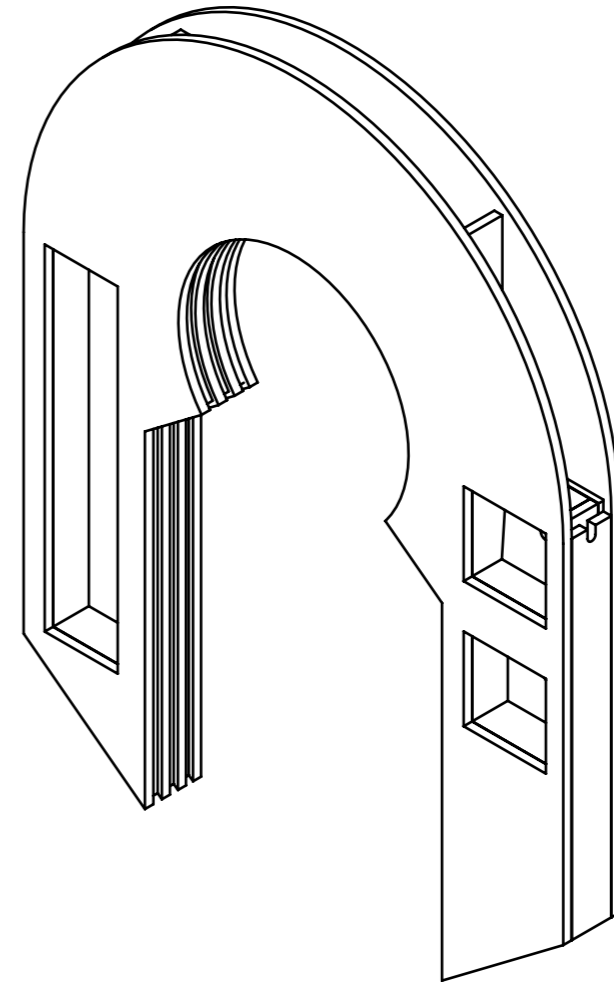
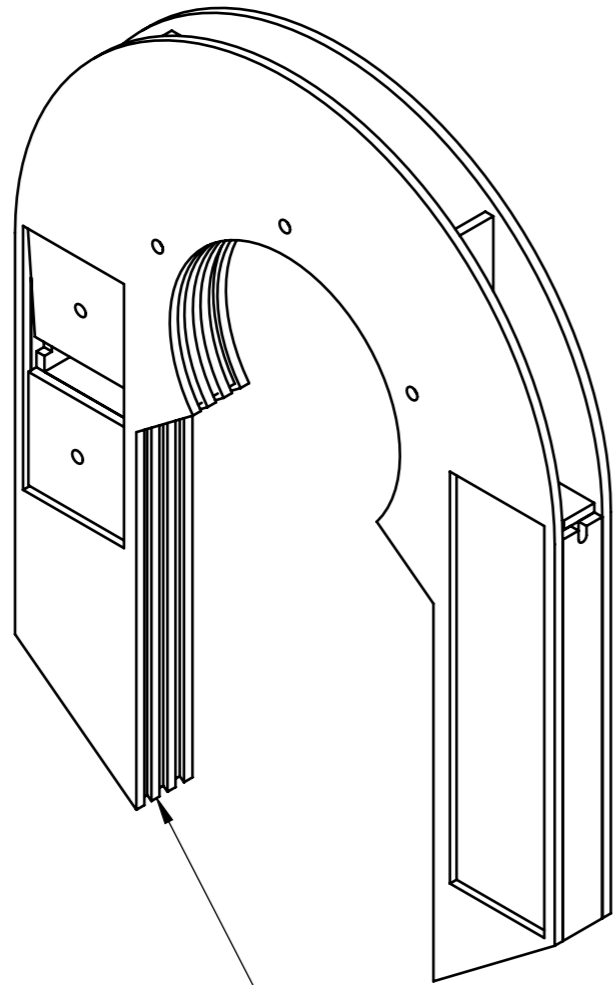
ADD SIDES



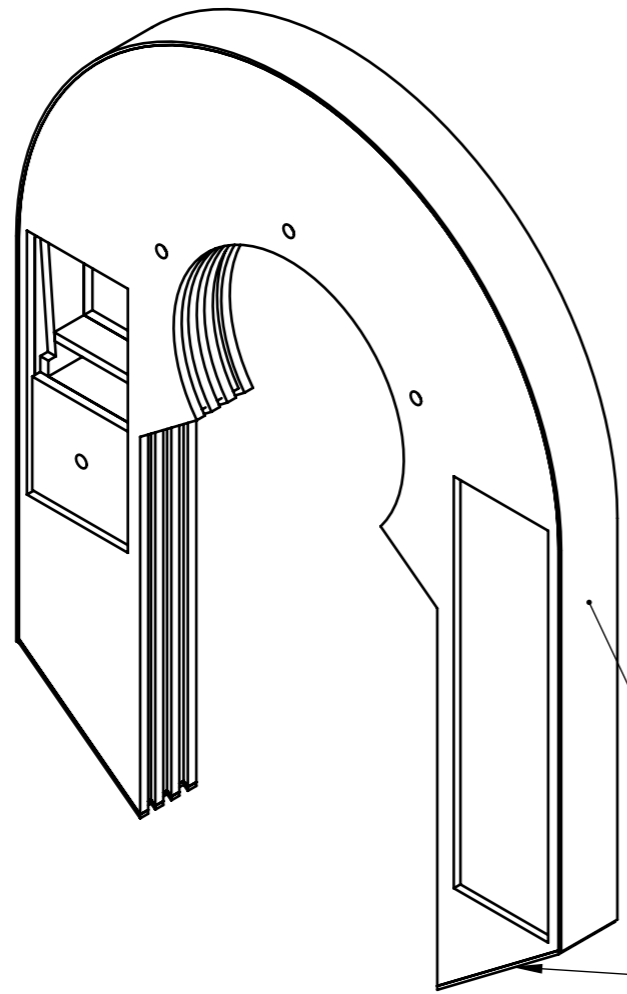
FIT BACK



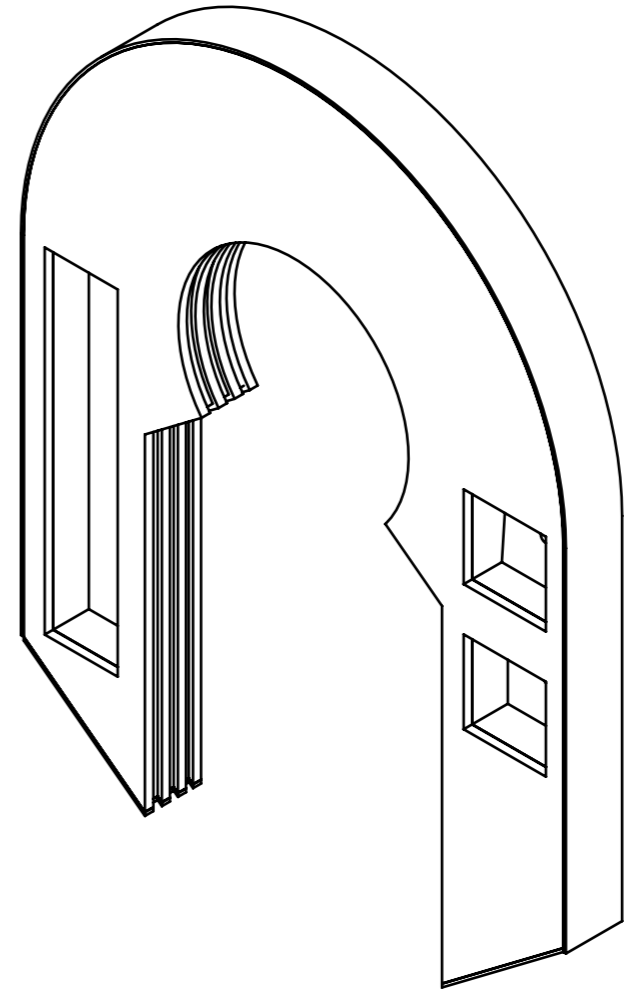
DONT SHAPE
ENDS JUST YET



CARFULLY POSITION 4 x THIN STRIPS
(RECOMMEND YOU BUY 3mm x 1.5 STRIPS
FROM YOUR LOCAL HOBBY SHOP)



SKIN THE OUTER
FACES



OPTIONAL:
TAP M6 FOR
Machine Screw Phillips Pan Head M6 x 20
FOR HANGING ON LEGS
(OR GLUE ON ONCE YOUVE ADDED
THE EXTRA BITS - YOUR CALL)



ADD BACK SPACER

DONE !!