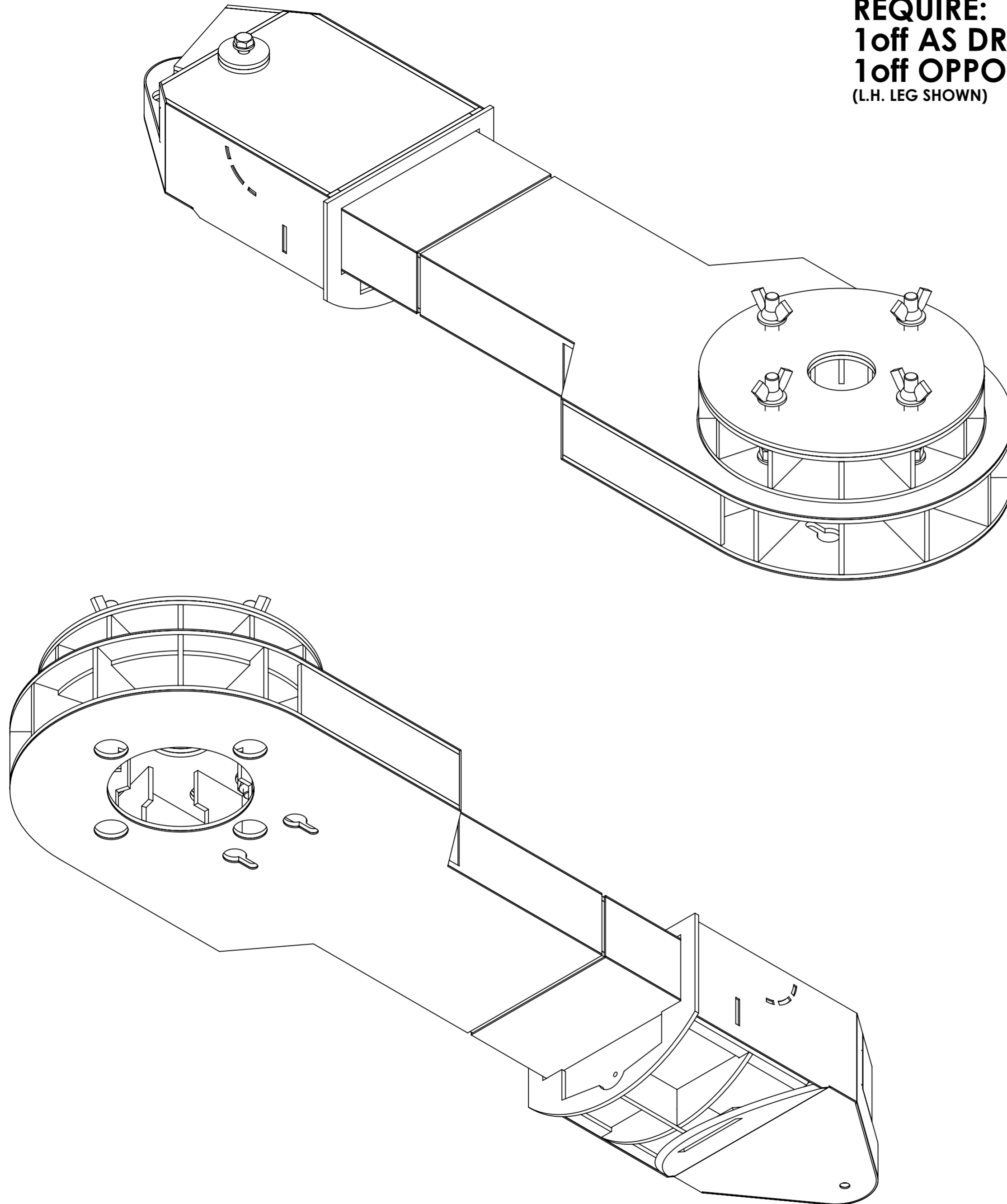
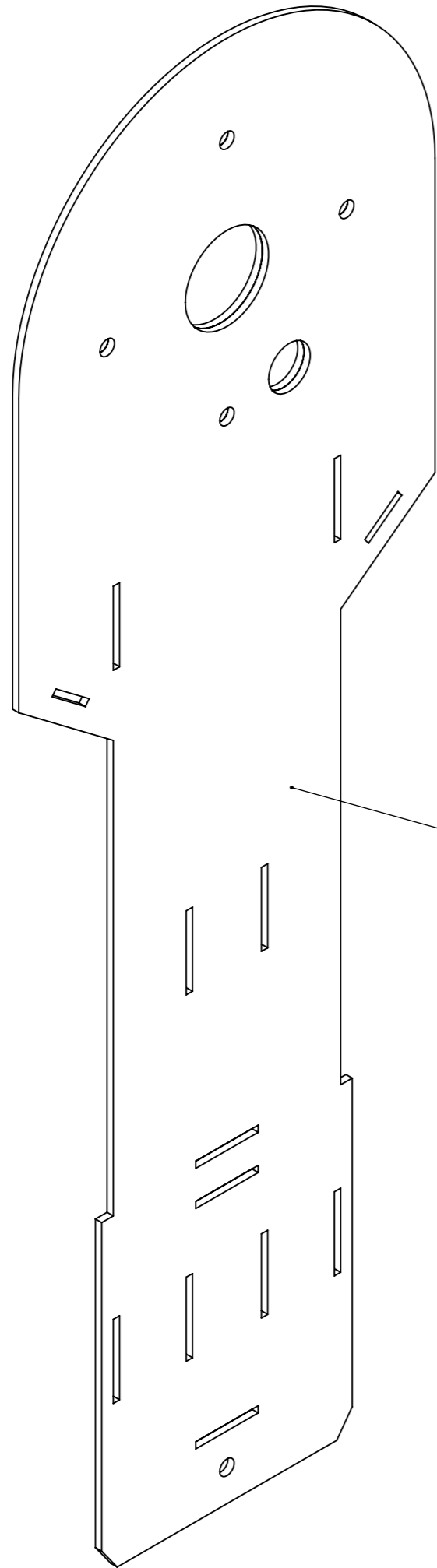


REQUIRE:
1off AS DRAWN
1off OPPOSITE HAND
(L.H. LEG SHOWN)

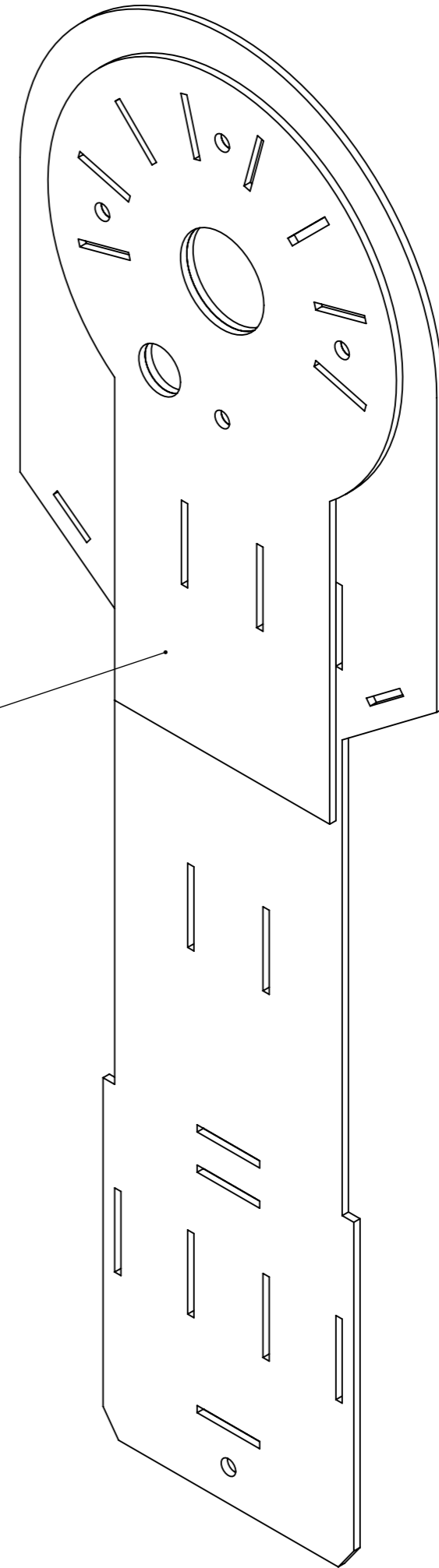


ITEM	DESCRIPTION	QTY.
1	LEG - FRONT FACE - Default	1
2	LEG - FRONT FACE - BACK	1
3	LEG - FRONT FACE - ANKLE	3
4	LEG - FRONT FACE - CABLE	3
5	LEG - FRONT FACE - INNER ANKLE	1
6	LEG - FRONT FACE - ANKLE BACK	1
7	LEG - ANKLE SIDE - Default	2
8	LEG - ANKLE BOTTOM - Default	1
9	LEG - CURVE BASE - Default	1
10	LEG - ANKLE UNDER BRACLET - Default	1
11	LEG - CURVE - Default	1
12	LEG - CURVE SLOPE - Default	1
13	LEG - CURVE RIB - Default	1
14	LEG - CURVE FILL - Default	2
15	LEG - CURVE BACKING - Default	1
16	LEG - SHOULDER PL - Default	2
17	LEG - SHOULDER PL - NO HOLES	1
18	LEG - SHOULDER DOUBLING - Default	1
19	LEG - UNDER SHOULDER BACK - Default	2
20	LEG - UNDER SHOULDER SIDE - Default	2
21	LEG - ANKLE BACK - Default	1
22	LEG - BRACLET - Default	1
23	LEG - SHOULDER RIB - Default	12
24	LEG - SHOULDER HUB RIB - Default	8
25	LEG - SIDE - Default	2
26	LEG - SIDE - 1	2
27	LEG - SHOULDER SIDE - Default	2
28	LEG - DIVIDER - Default	1
29	LEG - ANKLE SPACER	2
30	LEG - CABLE SLOPE - Default	2
31	LEG - RIB - Default	2
32	LEG - ANKLE BACK DOUBLING - Default	1
33	LEG - ANKLE BACK DOUBLING - nut	2
34	LEG - BLANK - Default	1
35	LEG - ANKLE BACK RIB - Default	2
36	CHOCK - Default	1
37	1mm BITS	
38	LEG - 1MM UNDER SHOULDER	2
39	LEG - 1mm BACK	1
40	LEG - 1MM FRONT	1
41	LEG - 1MM UNDER SHOULDER SIDE	4
42	LEG - 1MM SIDE	2
43	LEG - 1MM ANKLE FRONT	1
44	LEG - 1MM ANKLE WRAP	1
45	LEG - 1MM ANKLE SIDE DETAIL	2
46	FASTENERS	
47	Hex Nut Plain M6	1
48	M6 PLAIN WASHER 304	1
49	Hex Bolt M6 x 30	1
50	M8 PLAIN WASHER 304	16
51	Hex Nut Plain M8	12
52	M8 ROD x 80 LG	4
53	Wing Nut M8	4

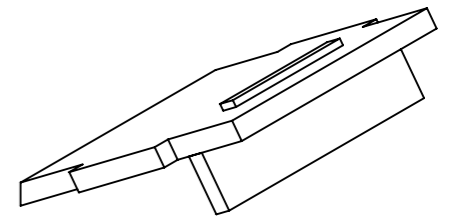
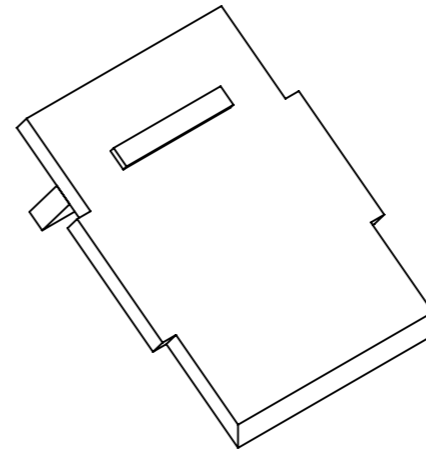
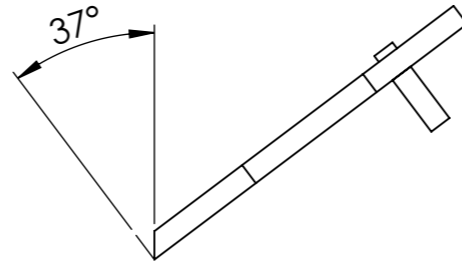
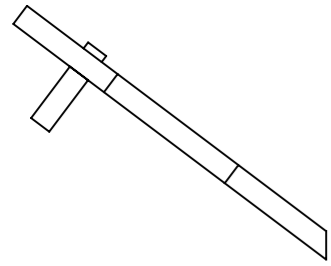
These instructions are only a guide !!
There are many versions of "R2" style units
The builder is ultimately responsible for their build
It is expected that builders have an understanding of
use of tools and reading of drawings and common sense

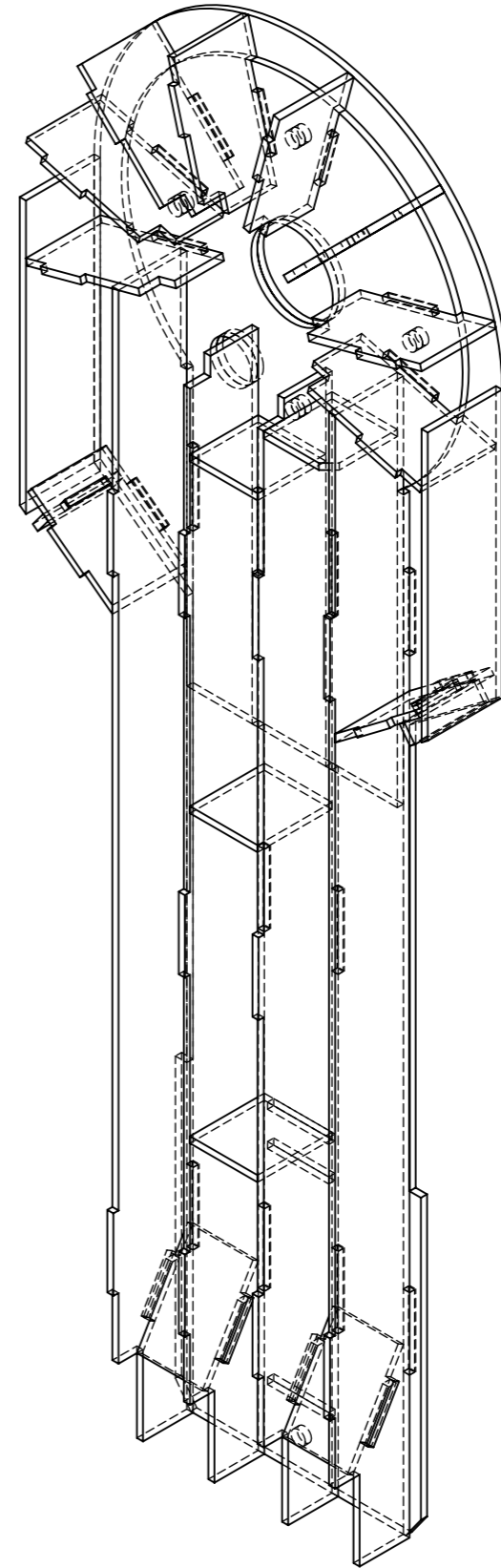
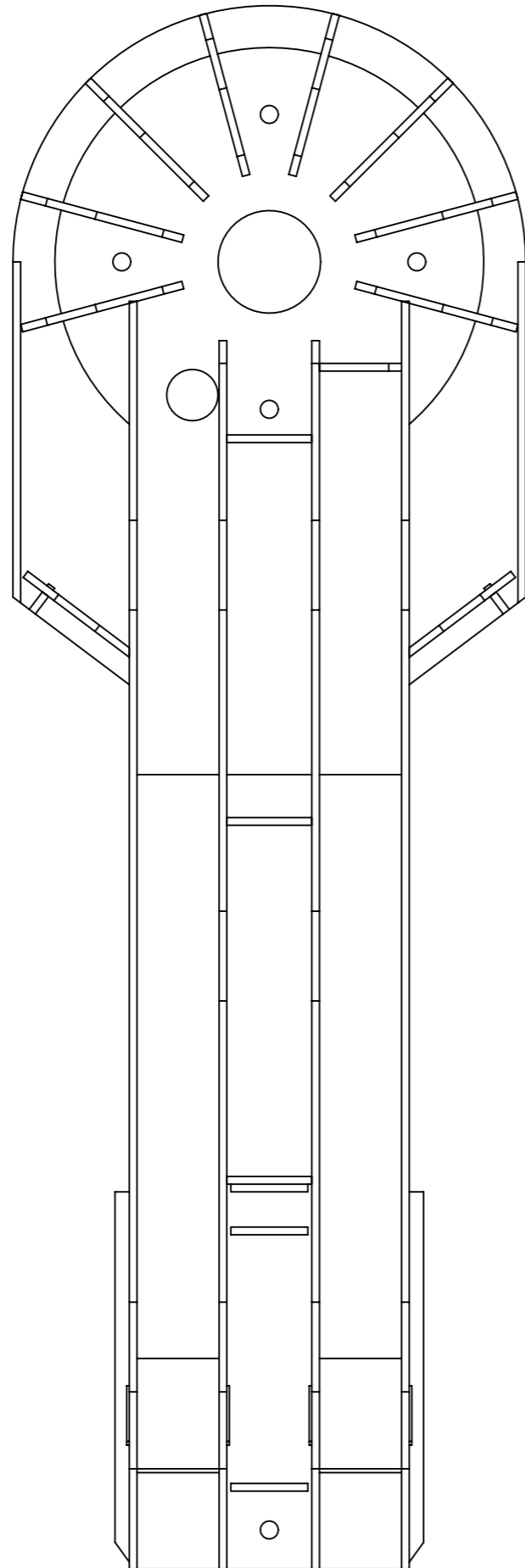


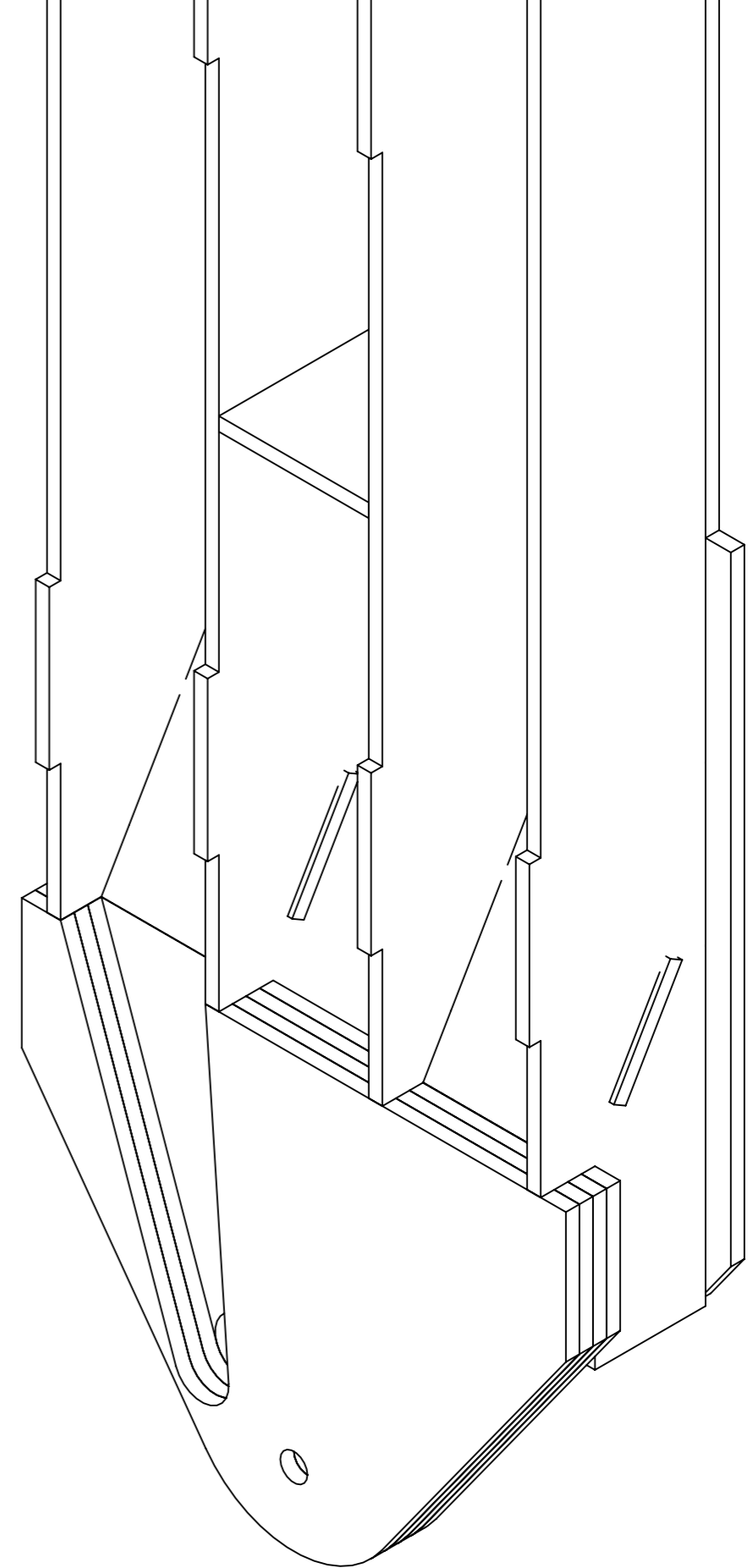
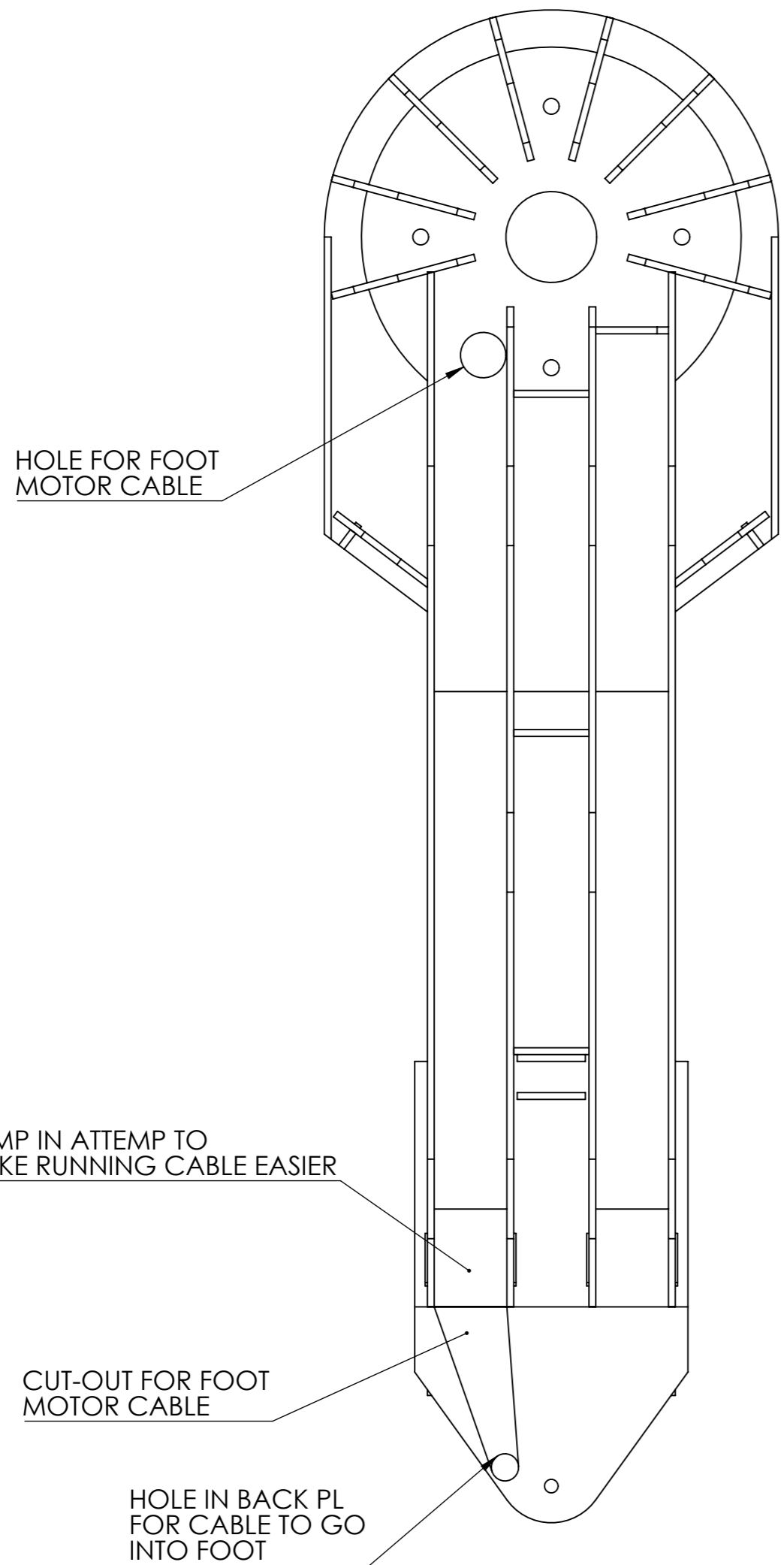
MAKE SURE IT IS MADE
ON A FLAT SURFACE !!



ENSURE THIS IS
THOROUGHLY
GLUED INTO POSITION

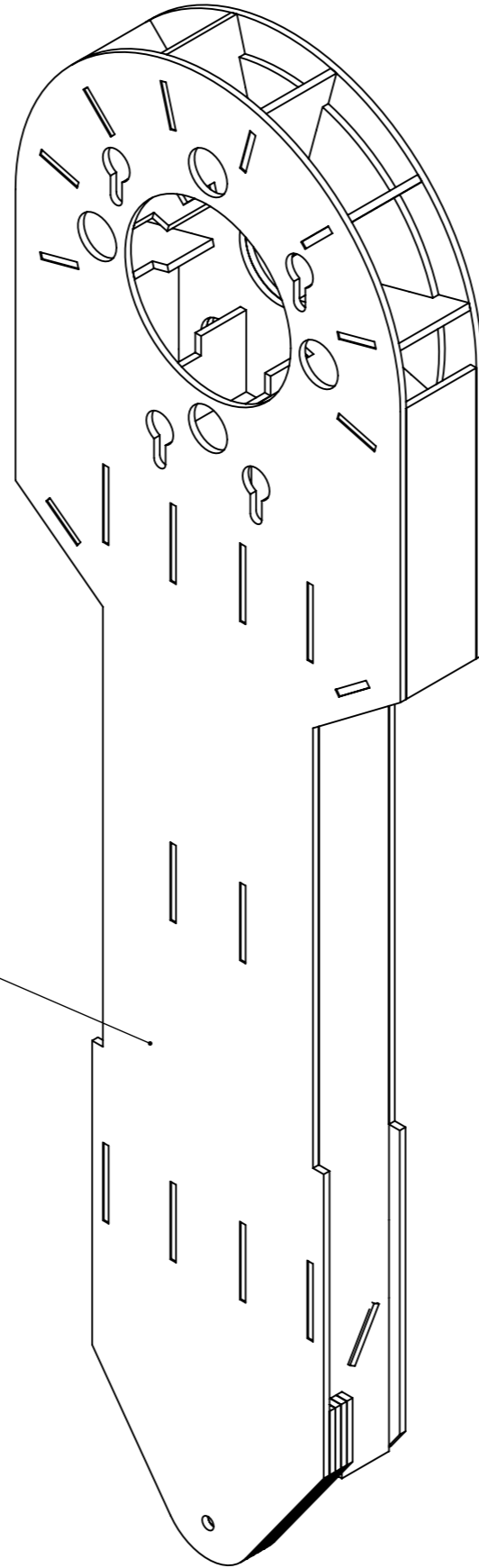


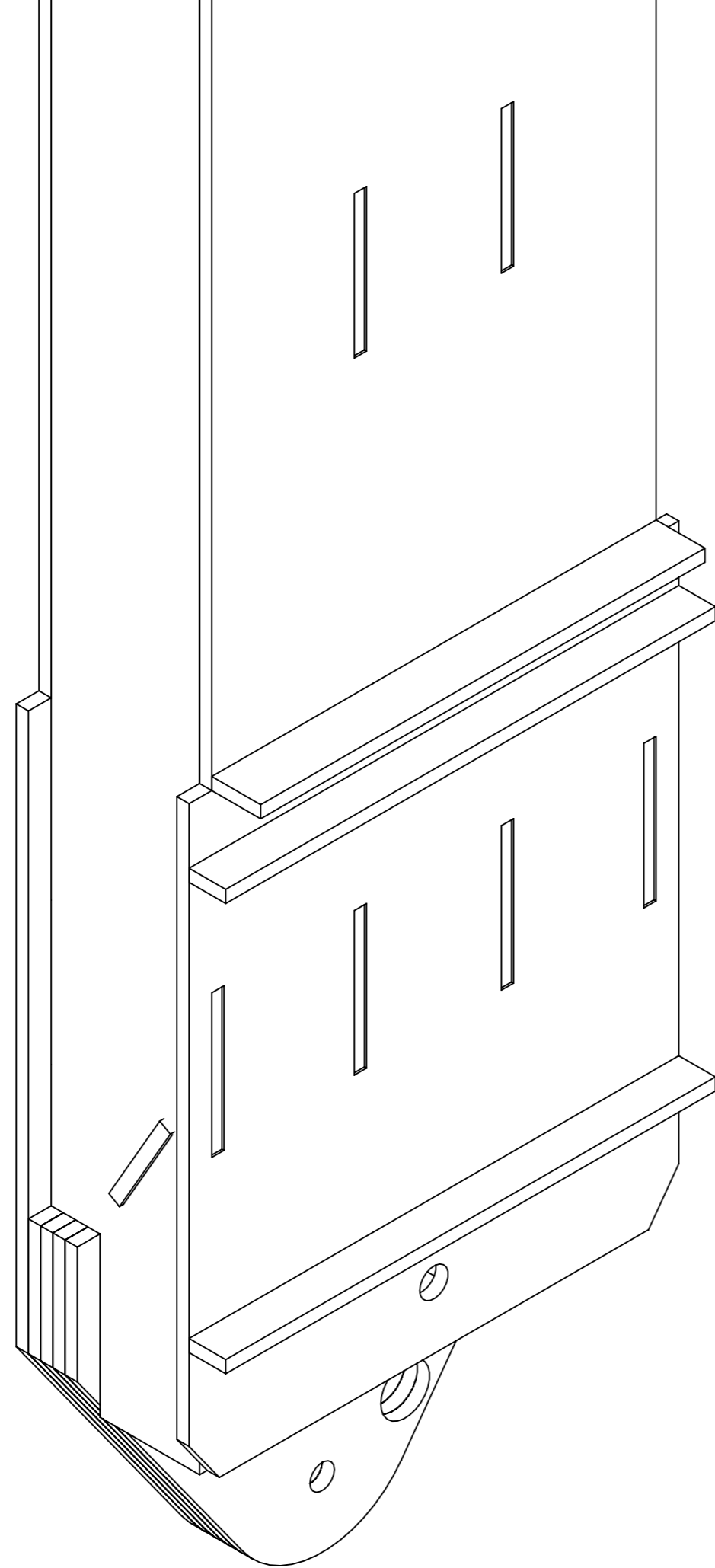


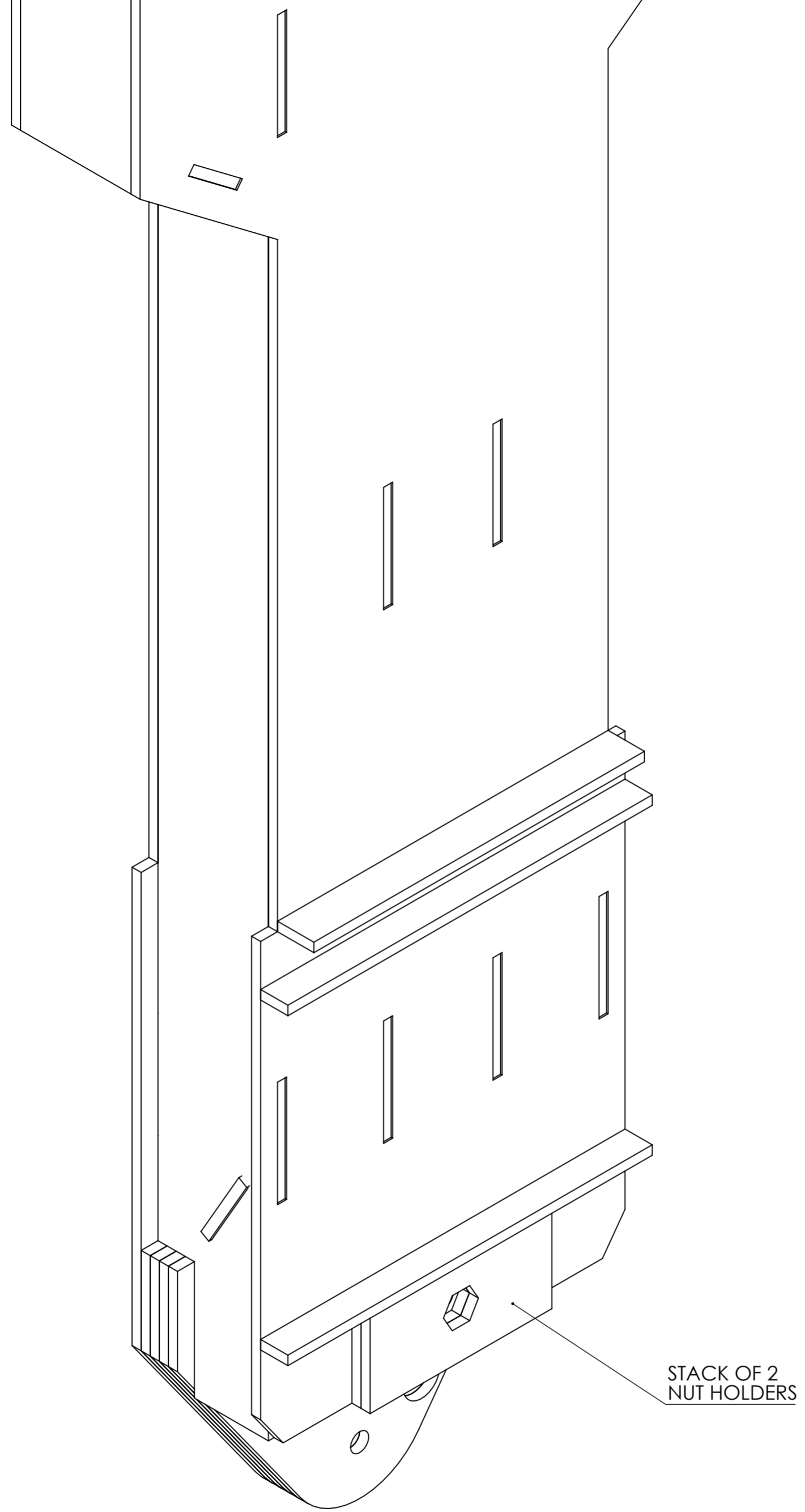


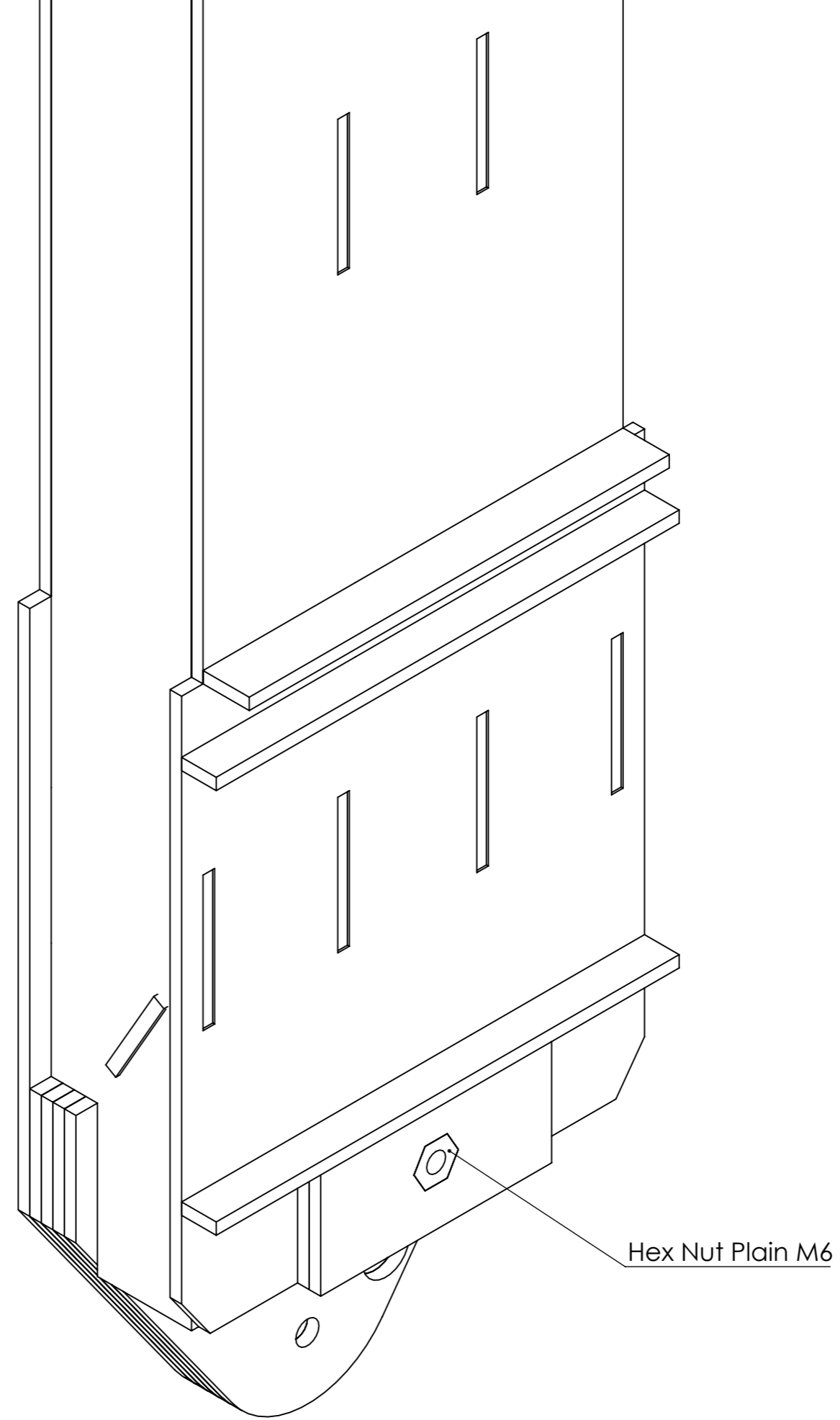
YOU'LL FIND IT MUCH EASIER IF YOU CAN RUN THE FOOT MOTOR CABLES NOW

FIT COVER

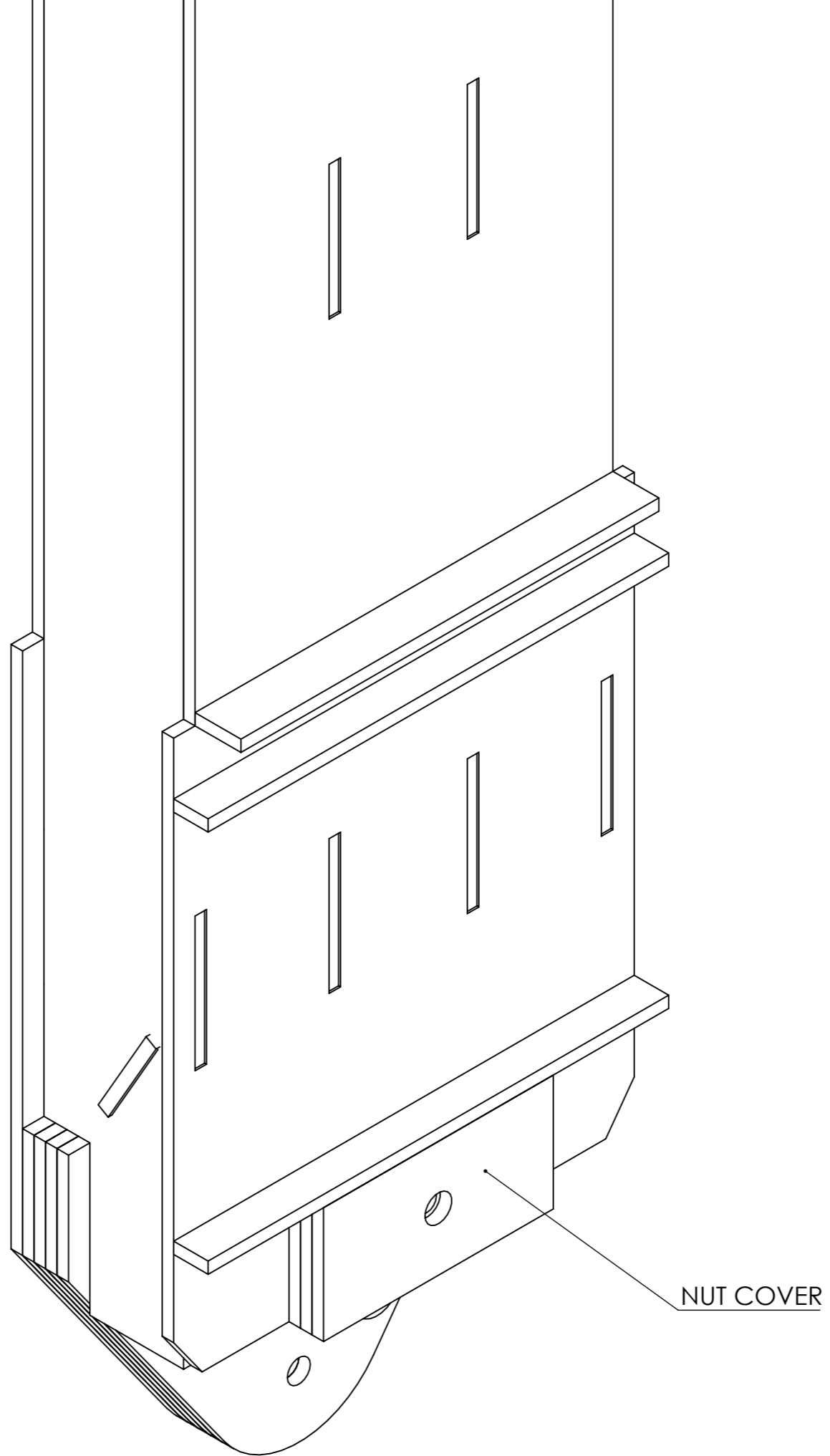


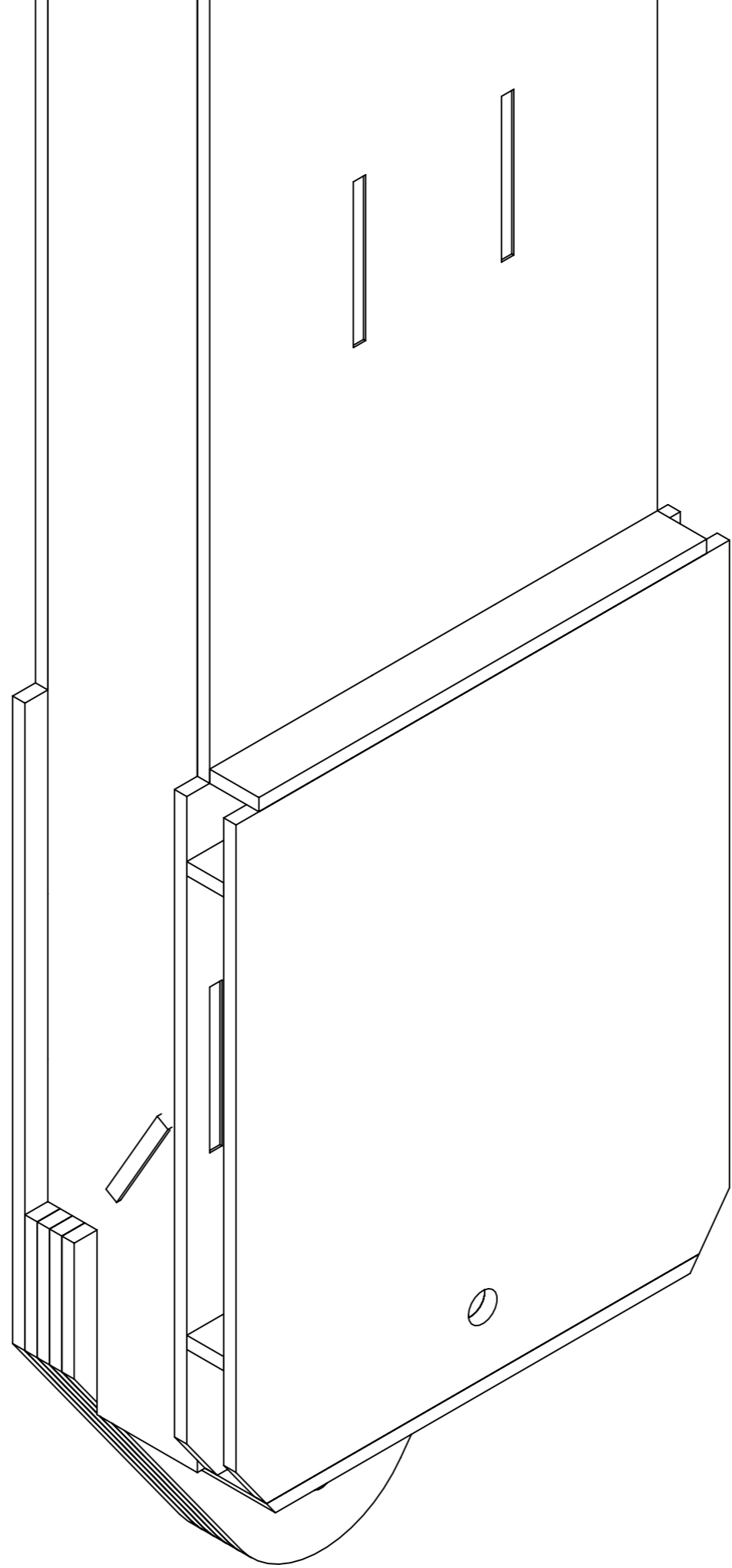




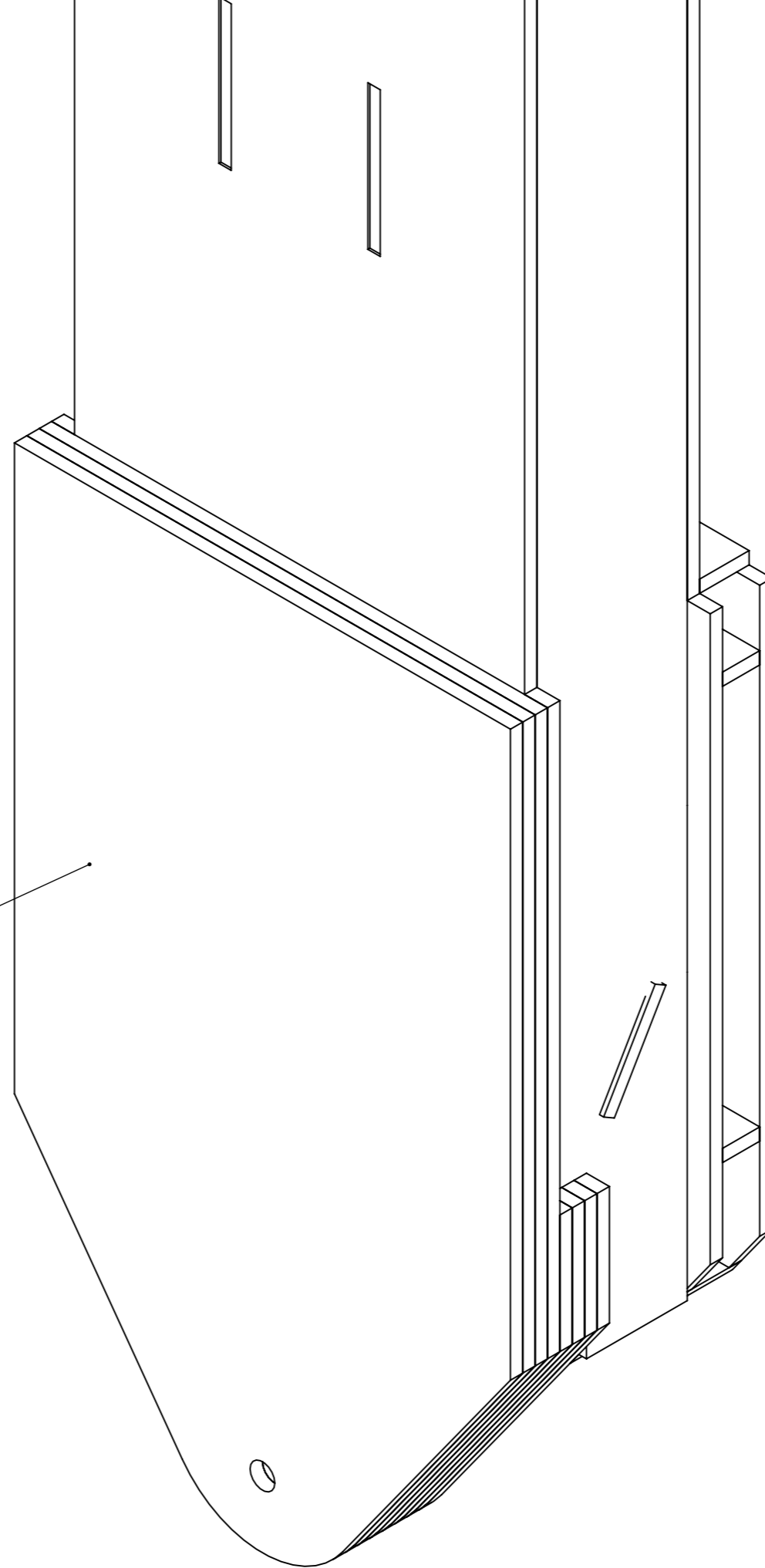


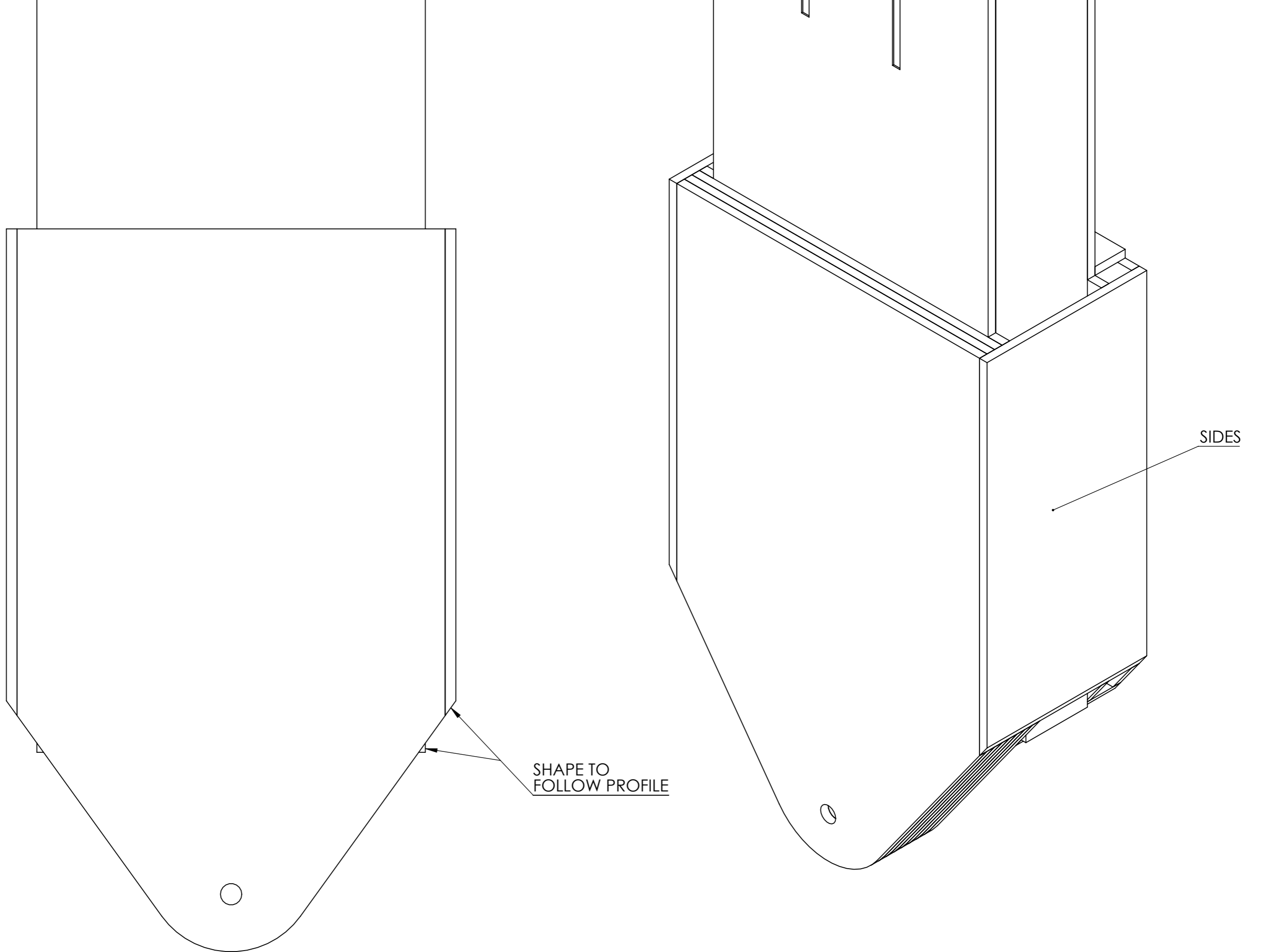
Hex Nut Plain M6

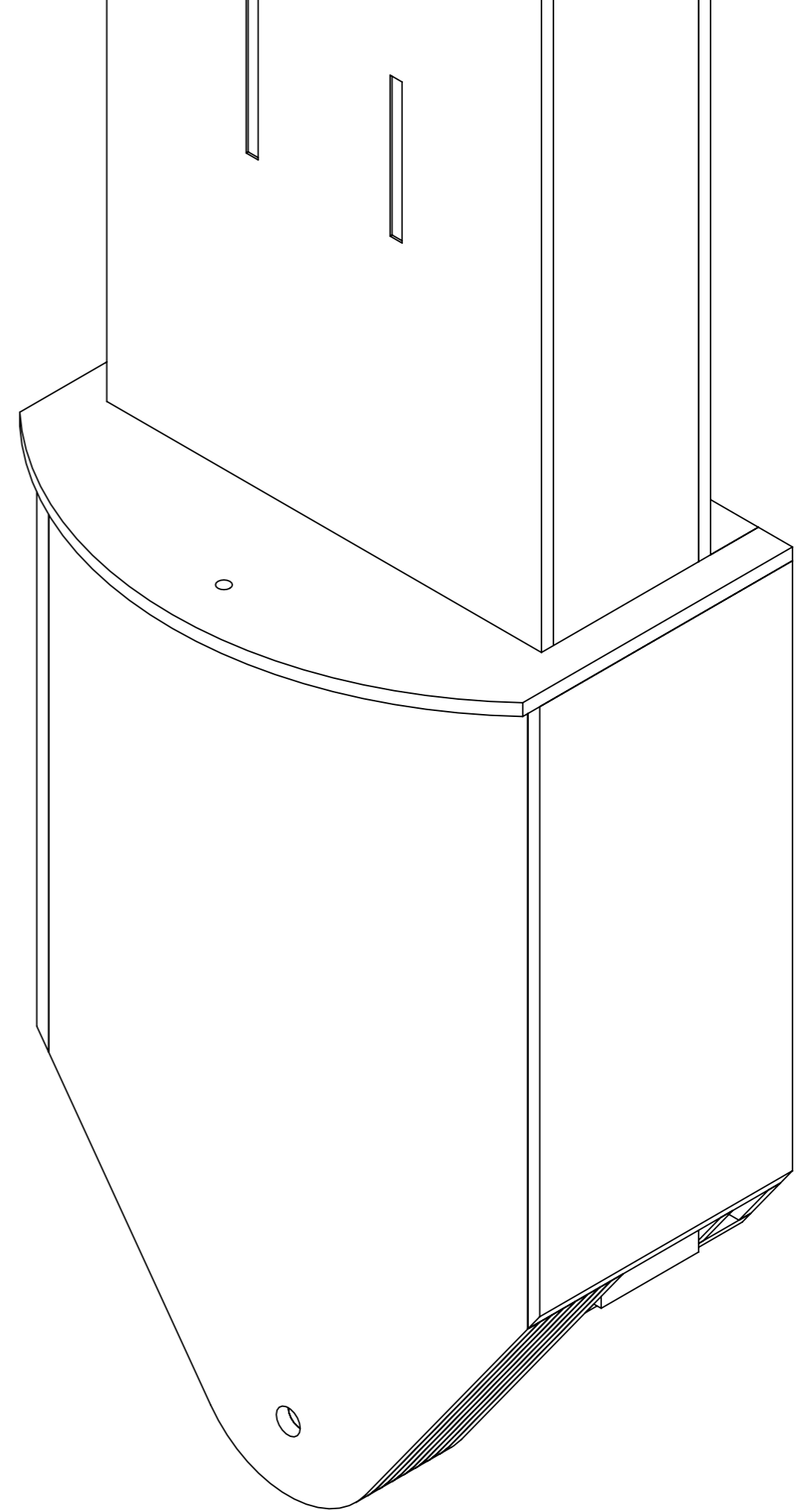
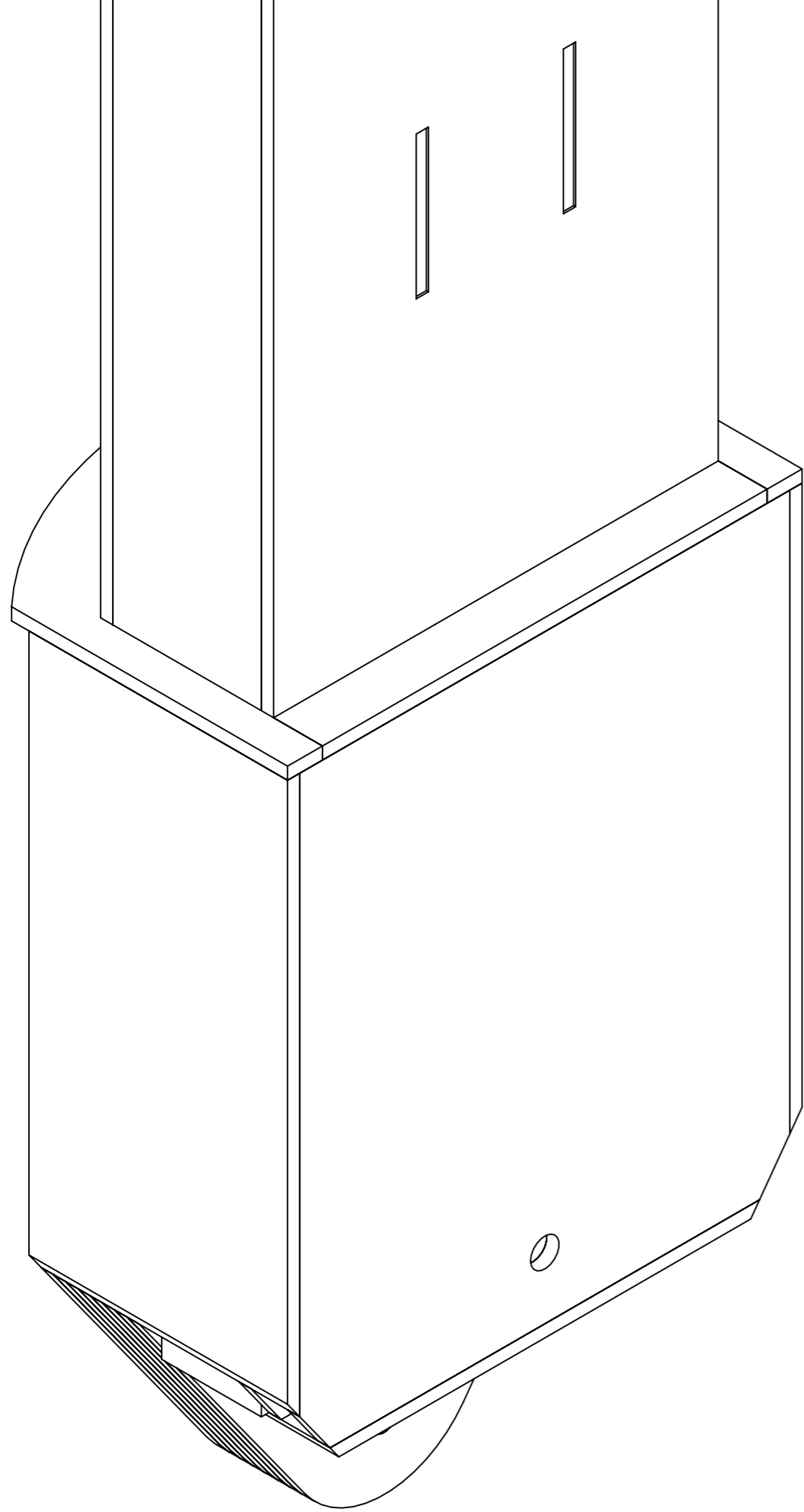


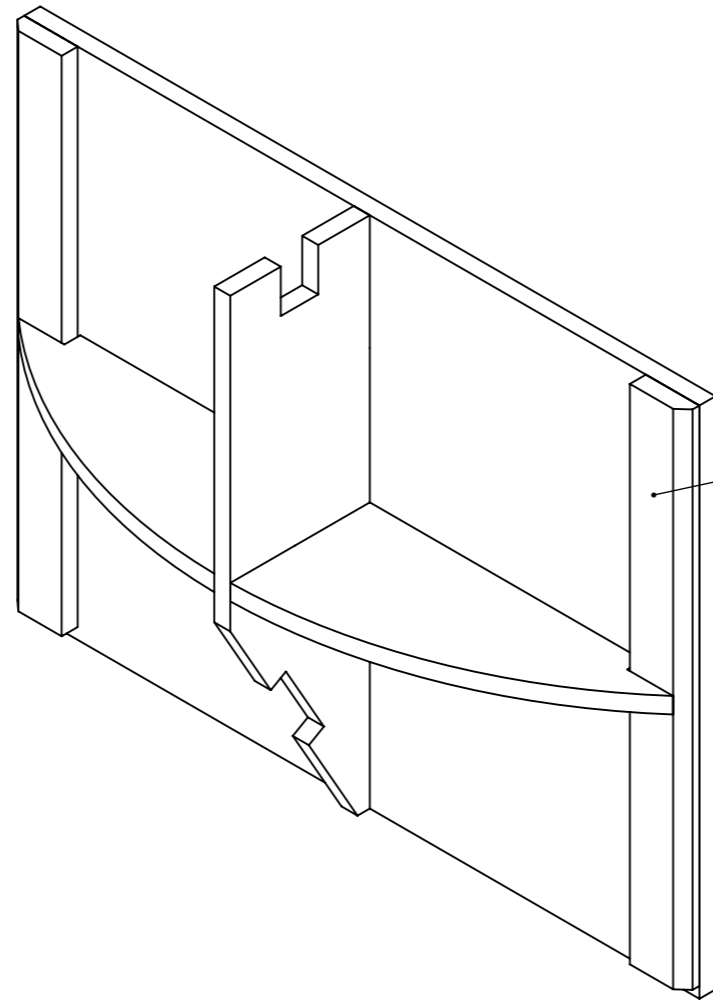


STACK OF 3

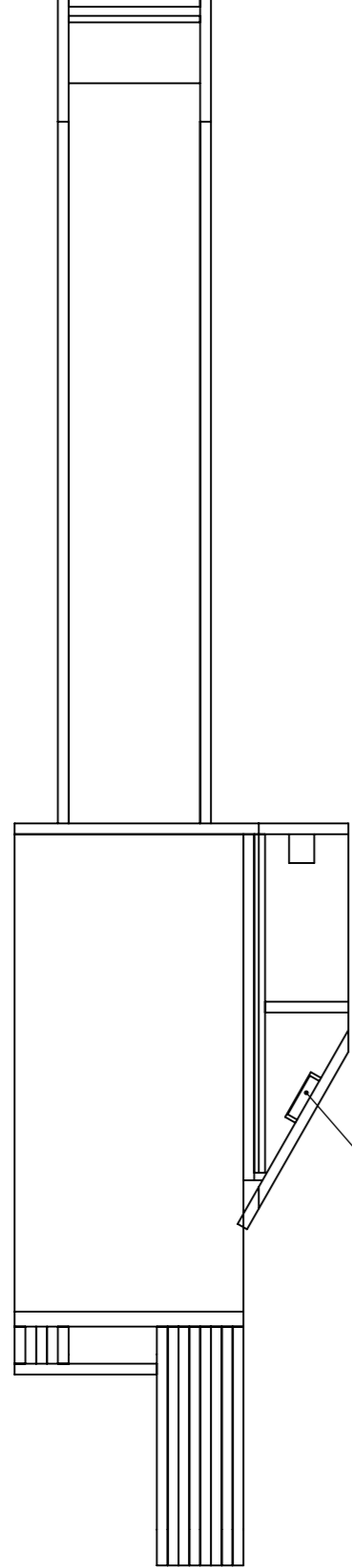




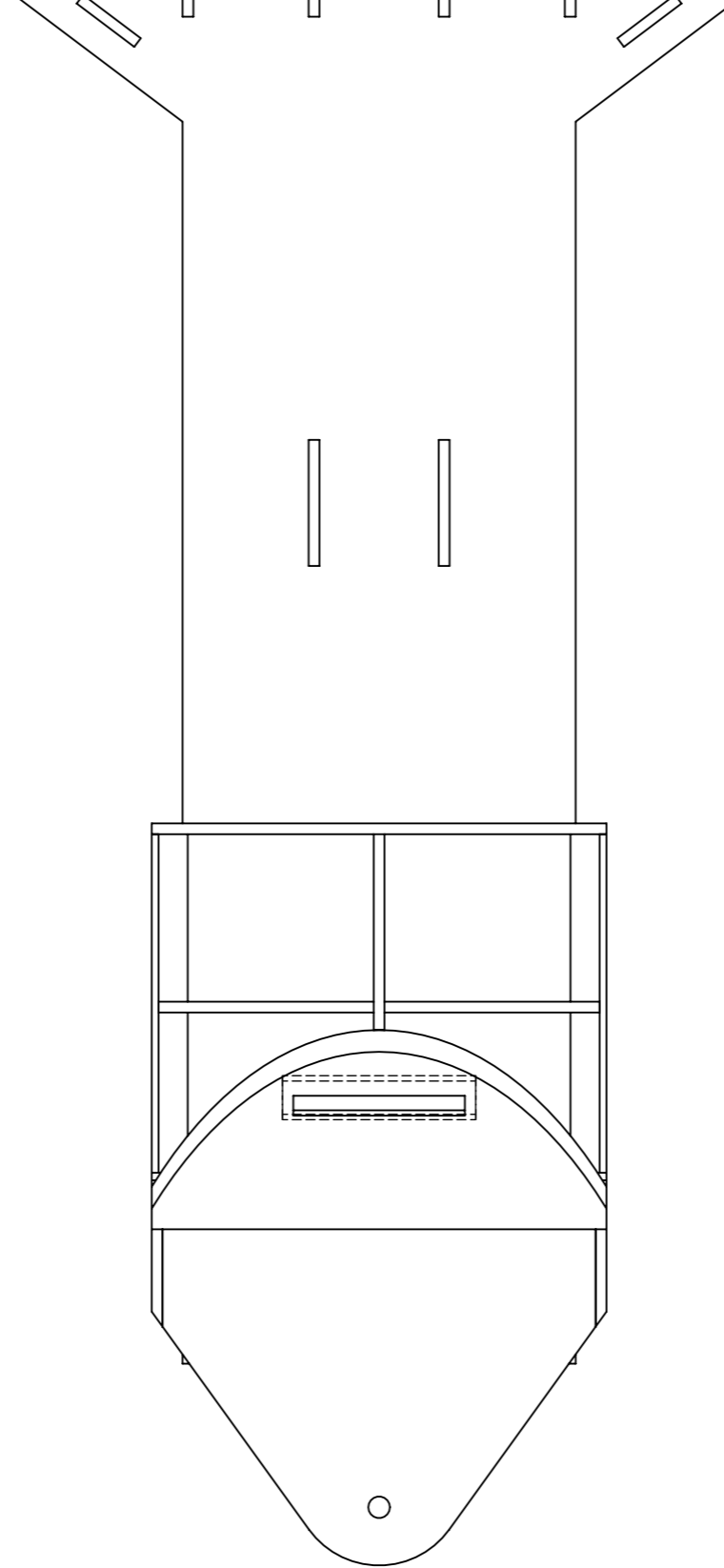




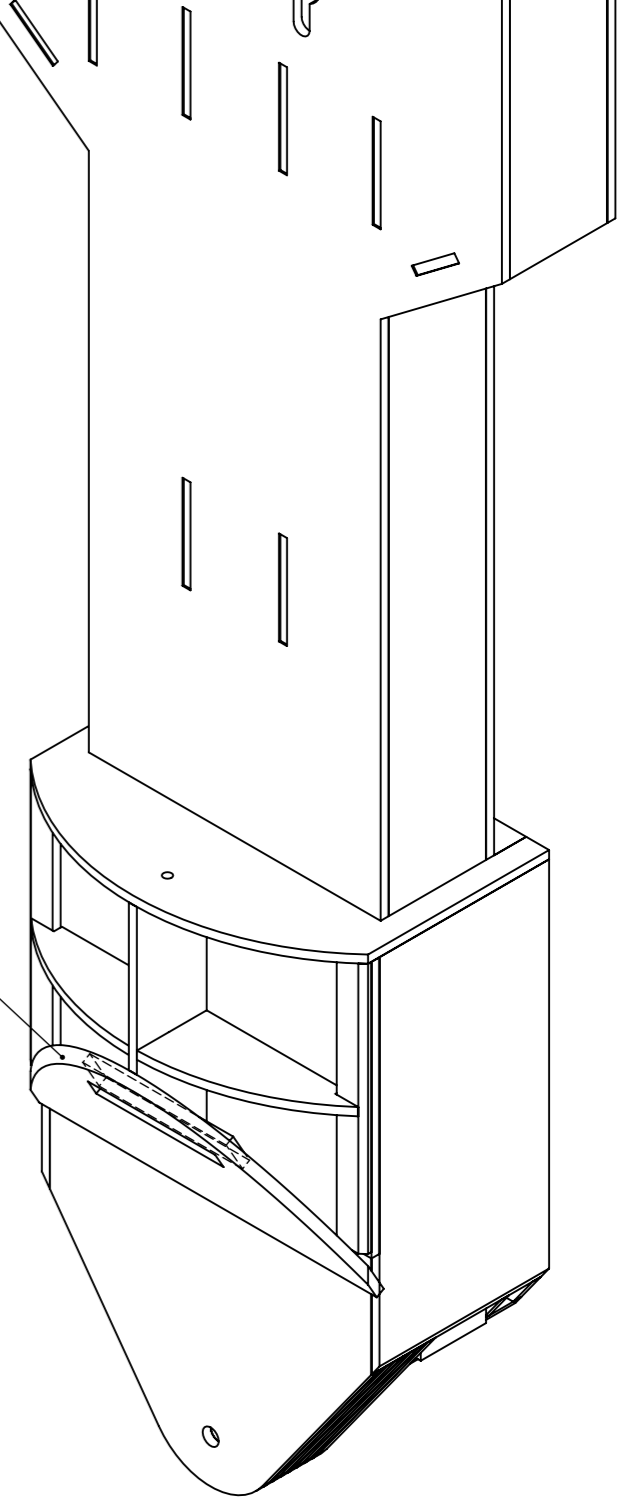
THESE BITS ARE TO HELP WITH
GLUING ON SKIN
SHAPE LATER

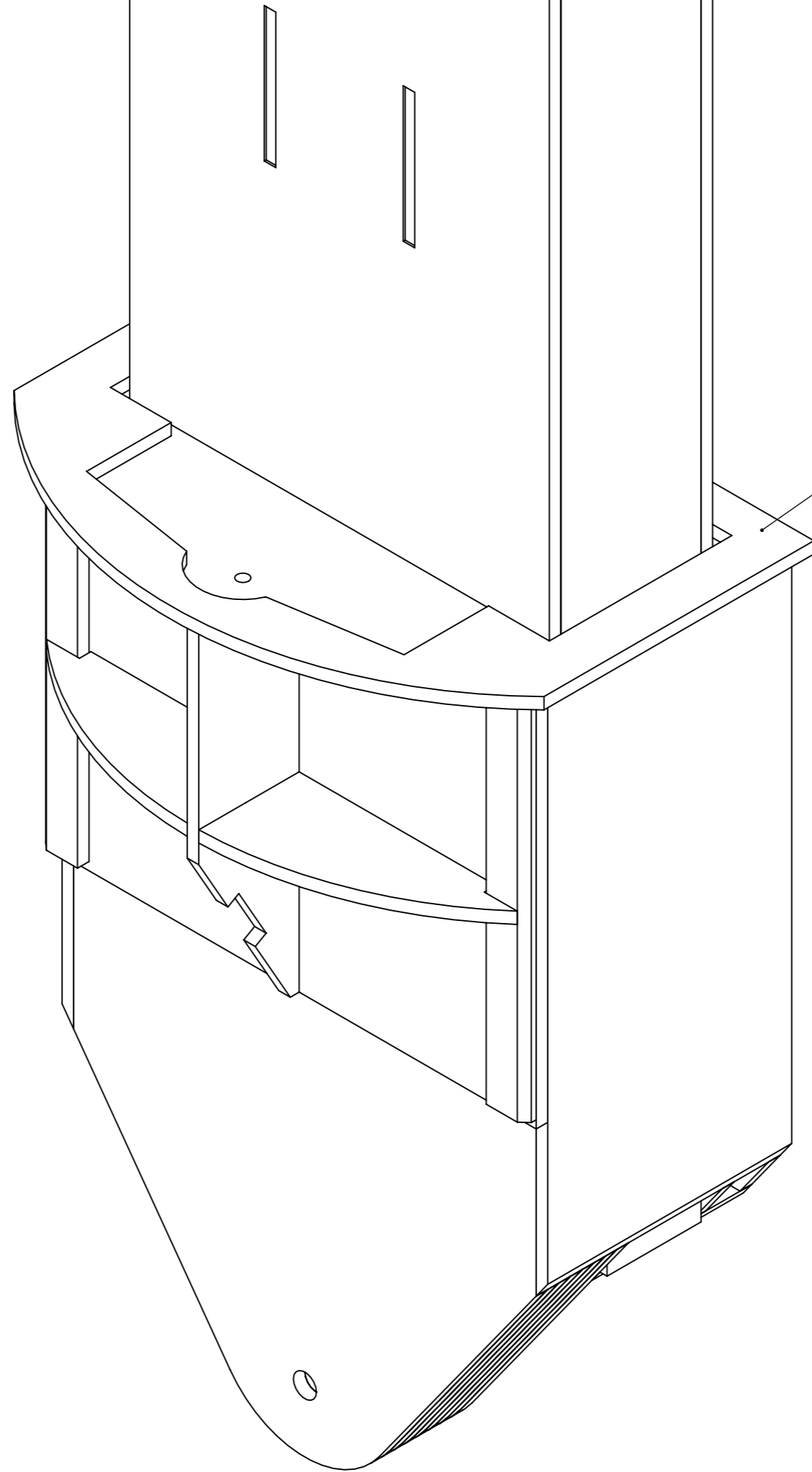


DONT FORGET THIS
BACKING BIT !

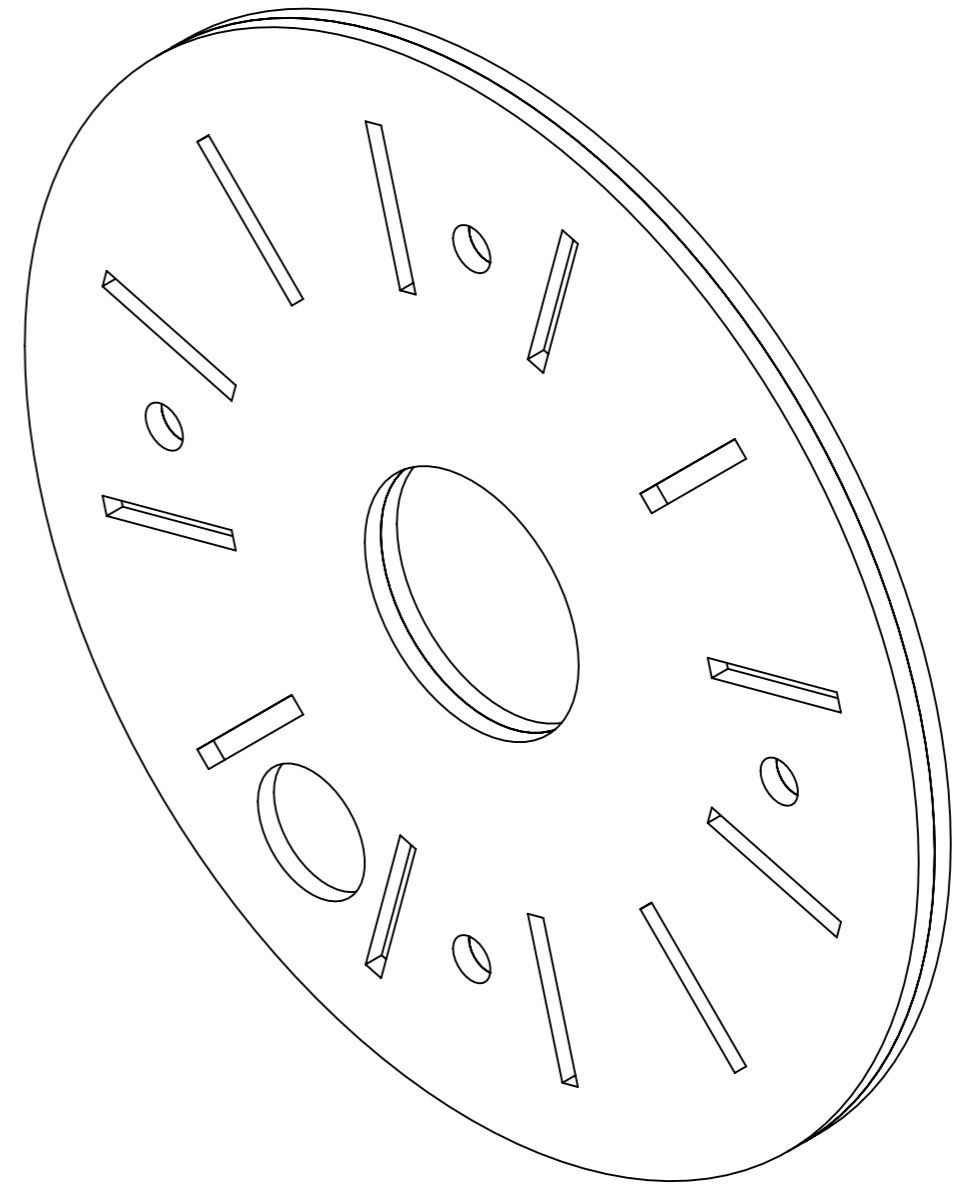
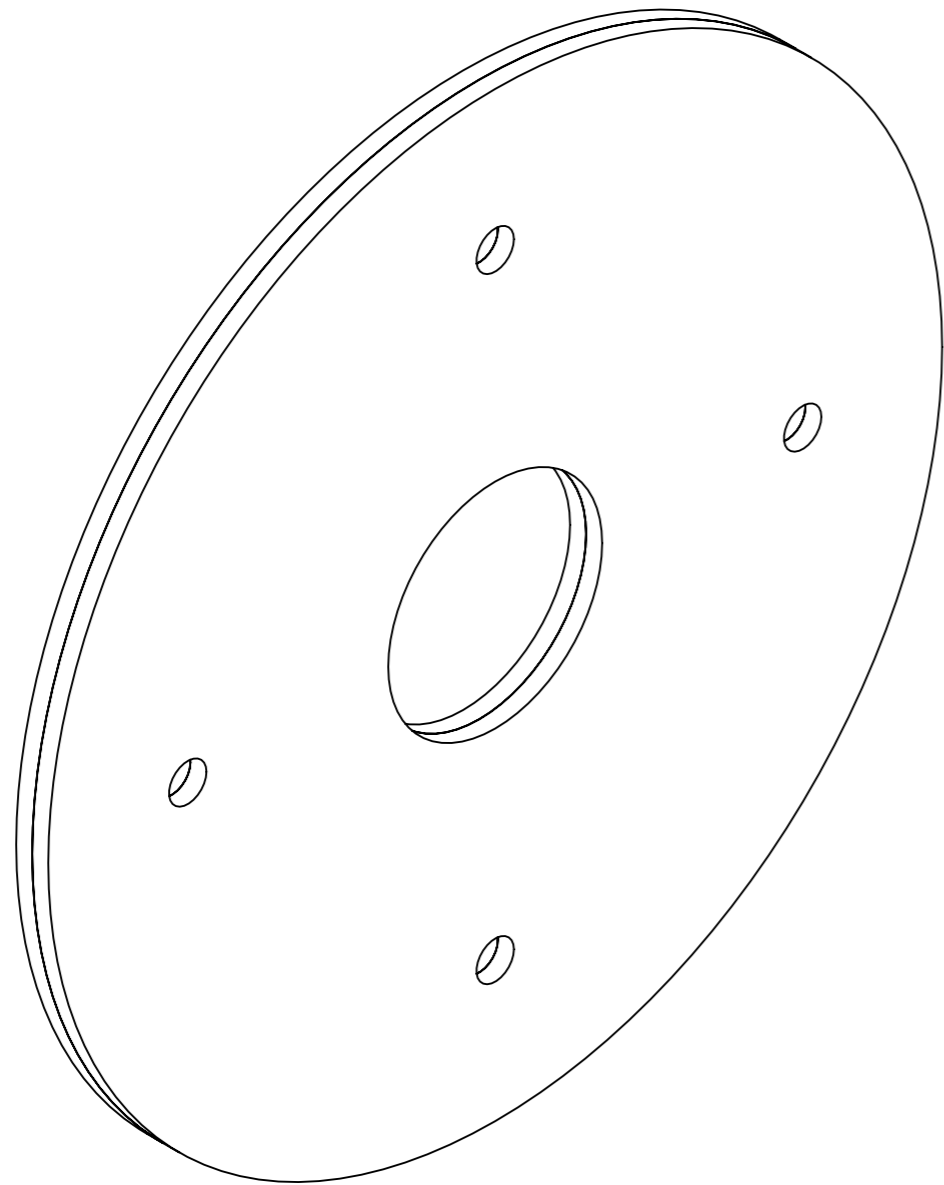


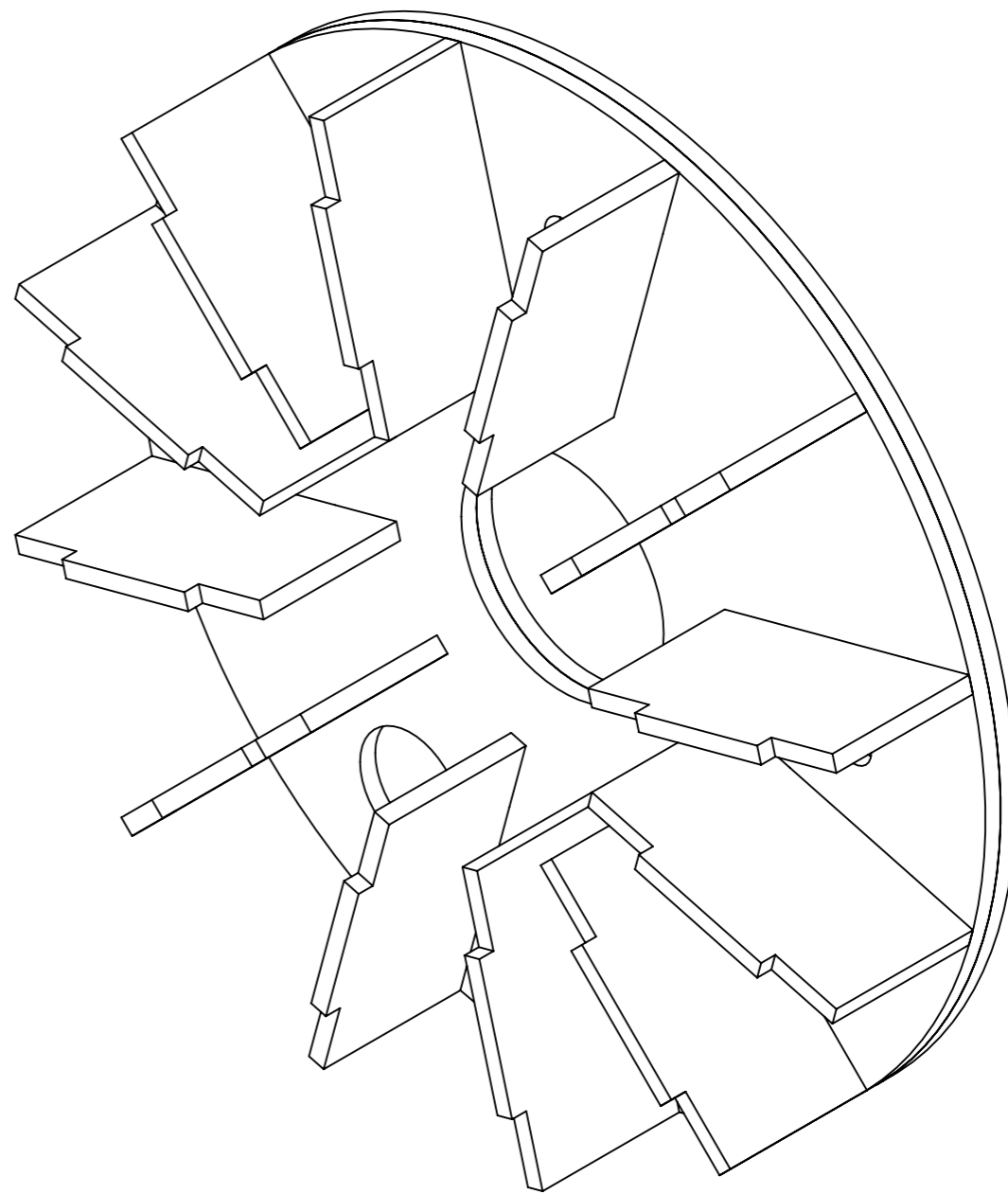
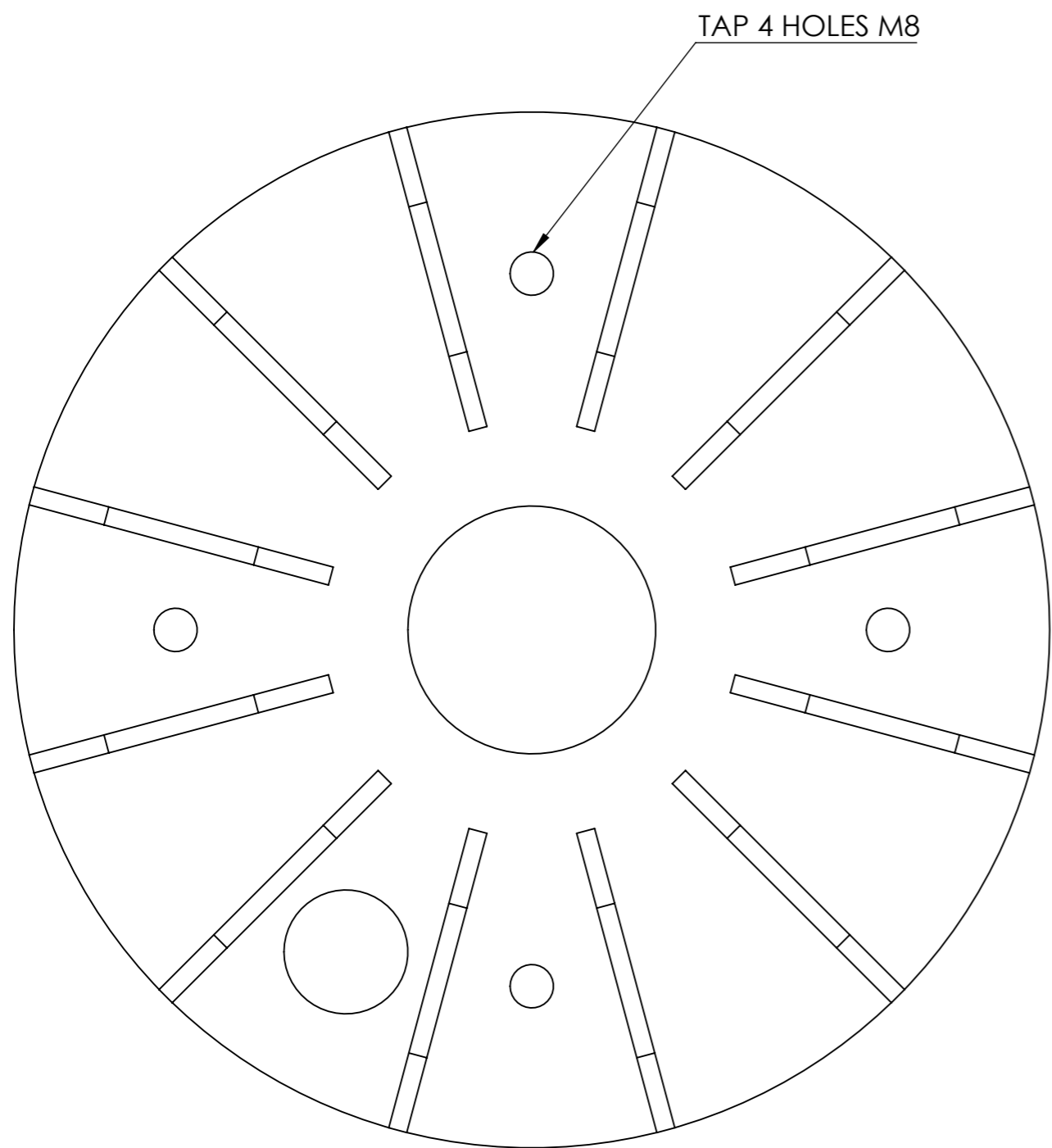
SHAPE ALL THIS !

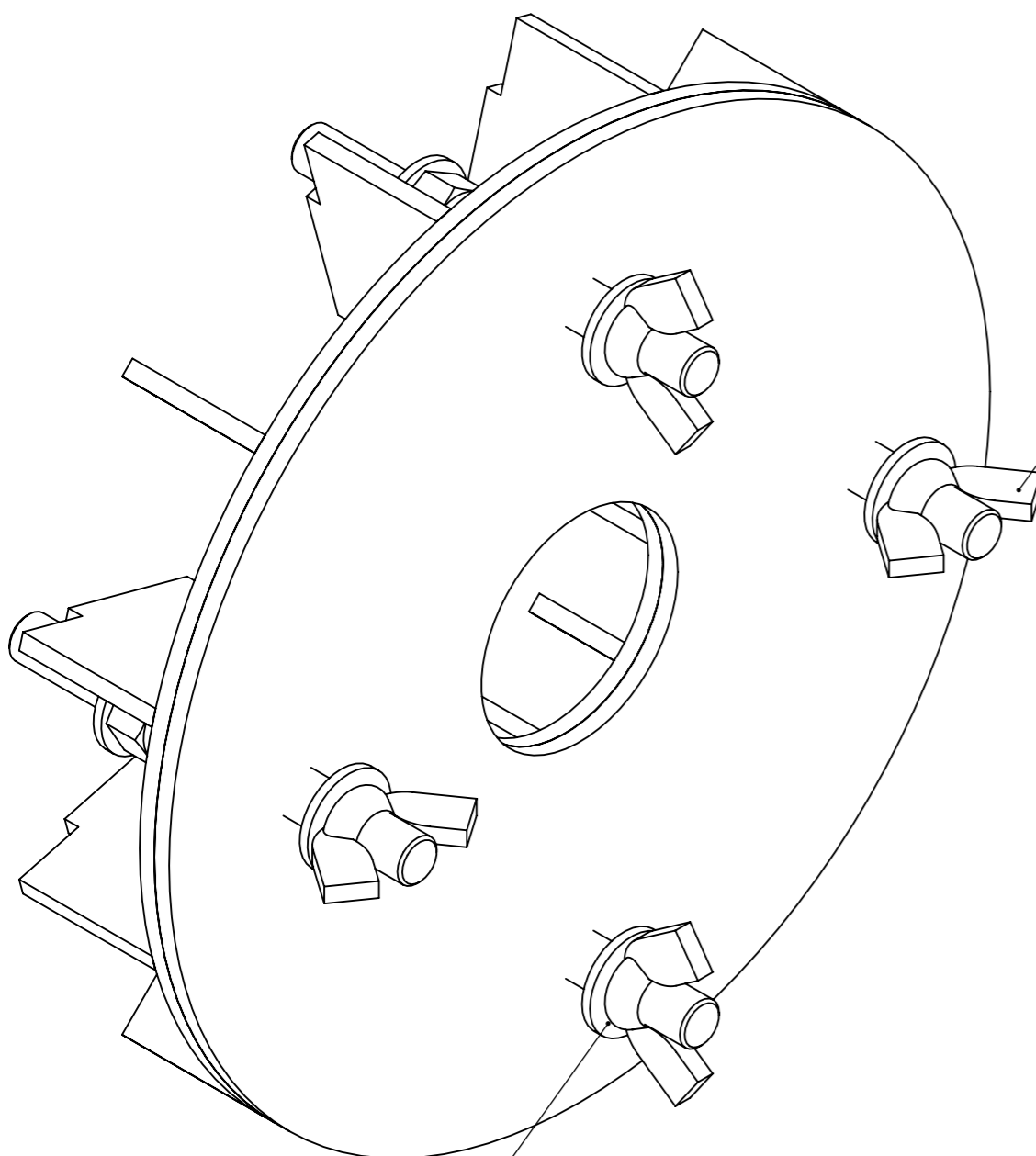




ANKLE BRACELET
MAKE FROM 2 BITS
TRIM & FIT AS
REQUIRED





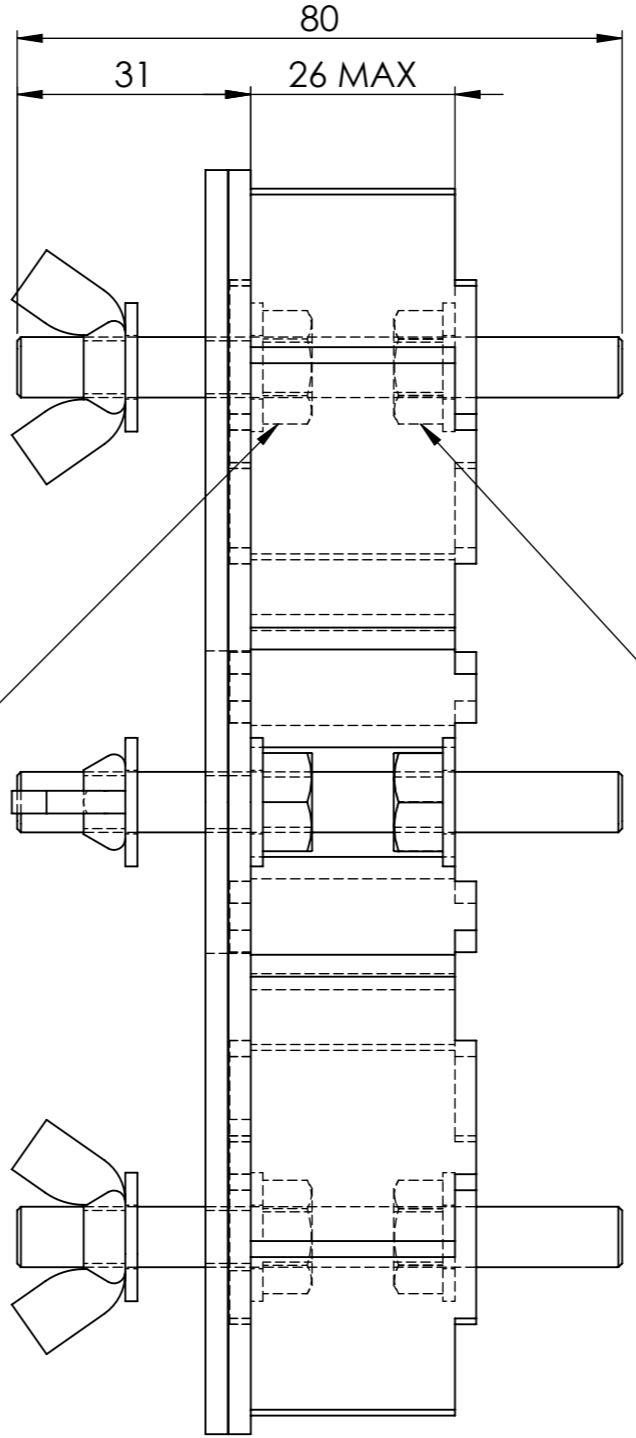
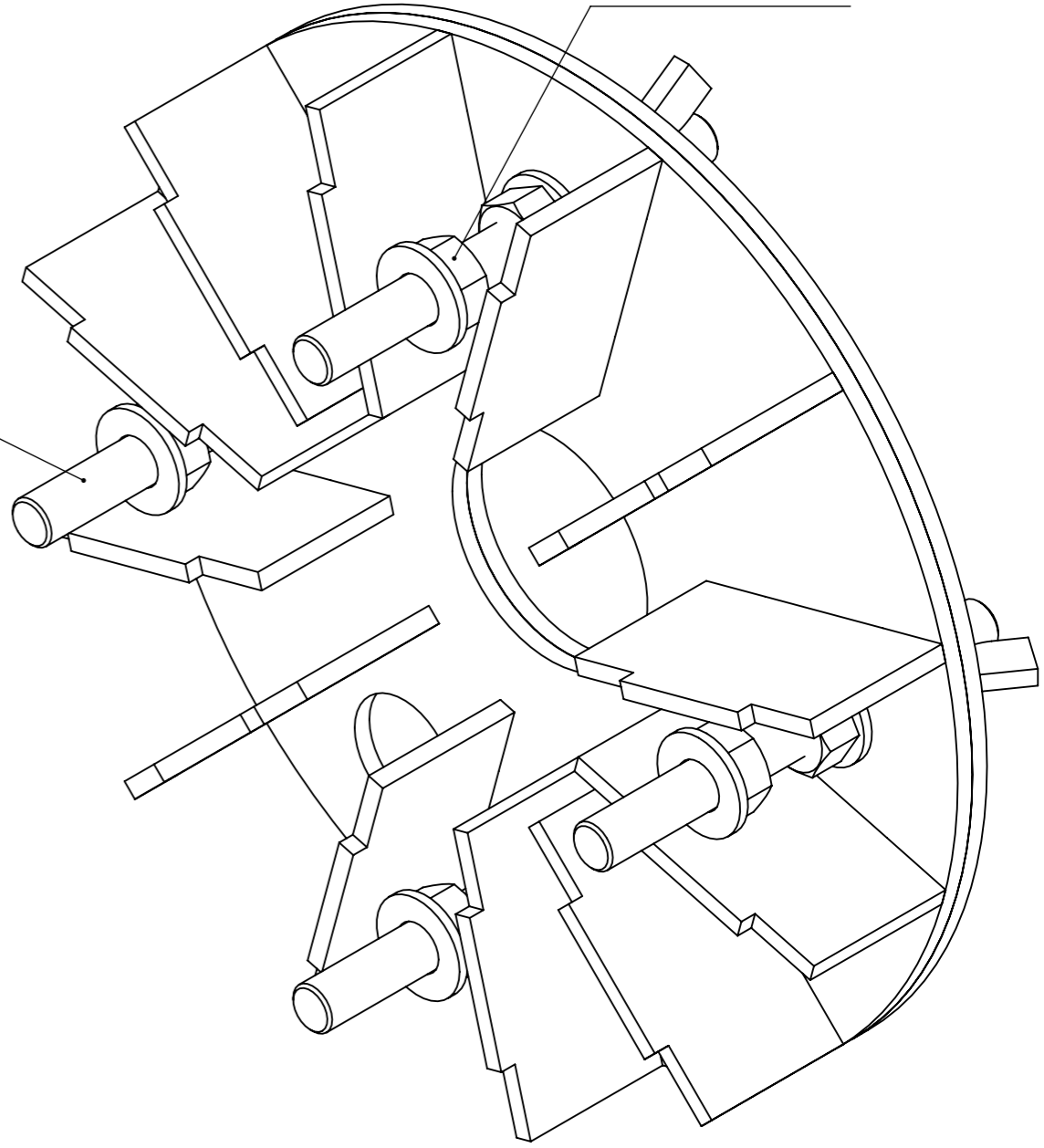


M8 PLAIN WASHER 304

Wing Nut M8

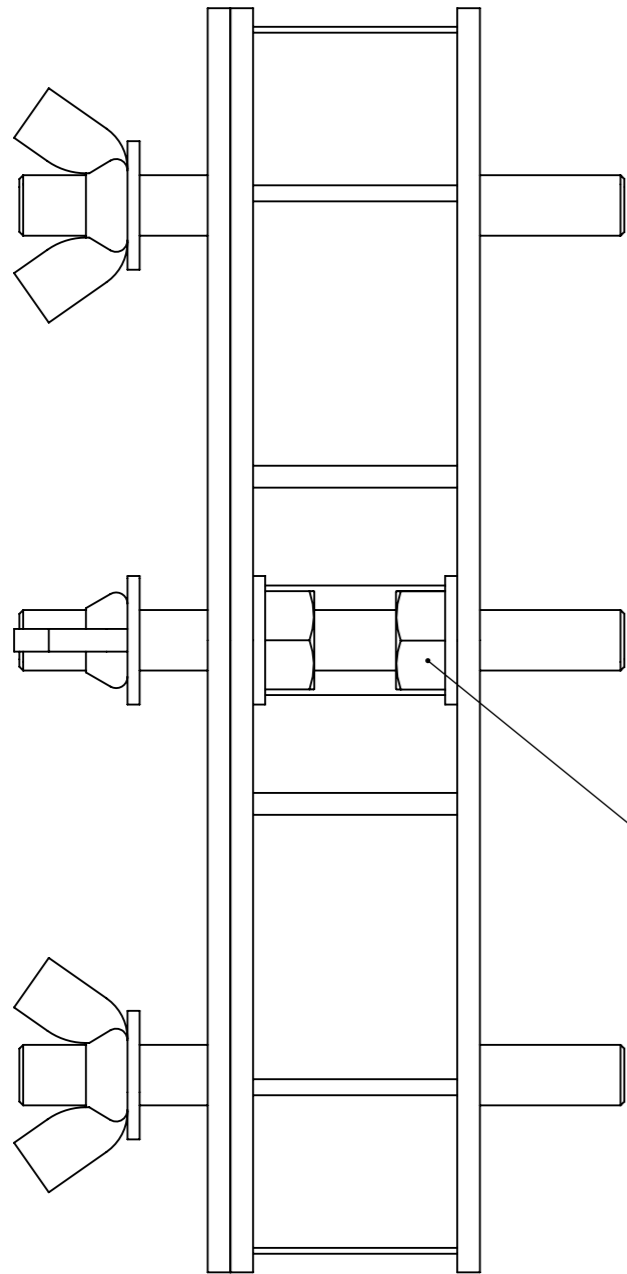
M8 ROD x 80 LG

Hex Nut Plain M8



POSITION THIS NUT & WASHER AS SHOWN THEN TIGHTEN WING-NUT TO HOLD STUD INTO POSITION

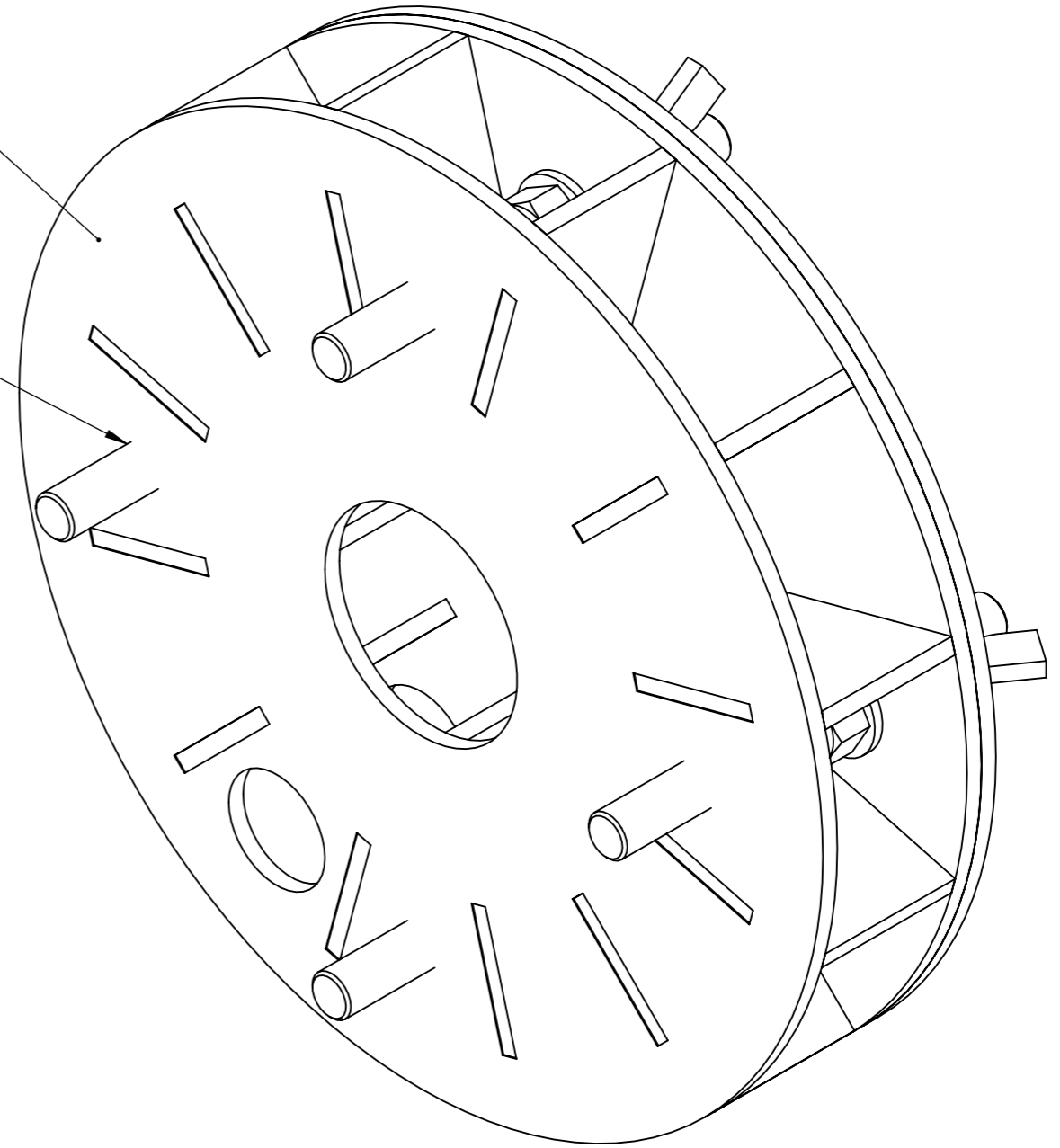
ROUGH POSITION THIS NUT AS SHOWN

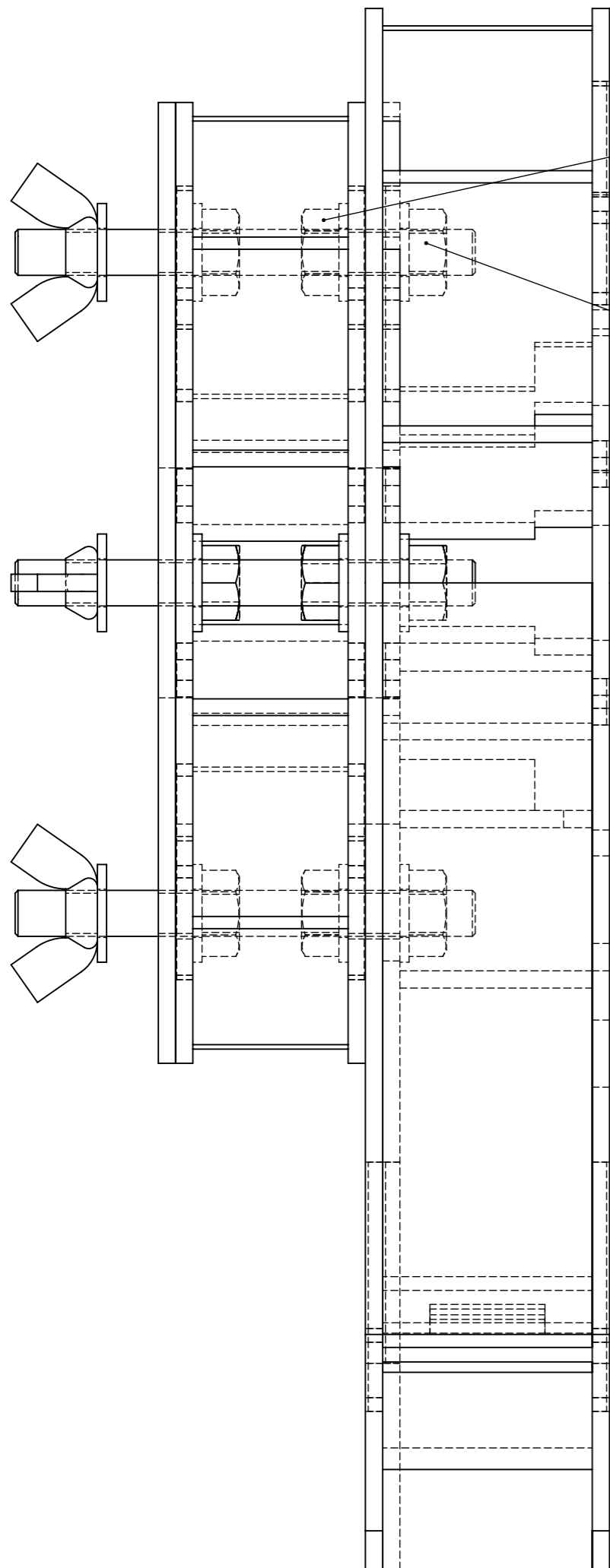


LEG FACE PLATE

DRILL OUT 4 HOLES $\phi 8$

ONCE ALL GLUE HAS DRIED
SPIN NUT "SNUG" UP AGAINST
LEG FACE PLATE
!! DO NOT OVER TIGHTEN !!
(COULD DO AFTER GLUING TO LEG)



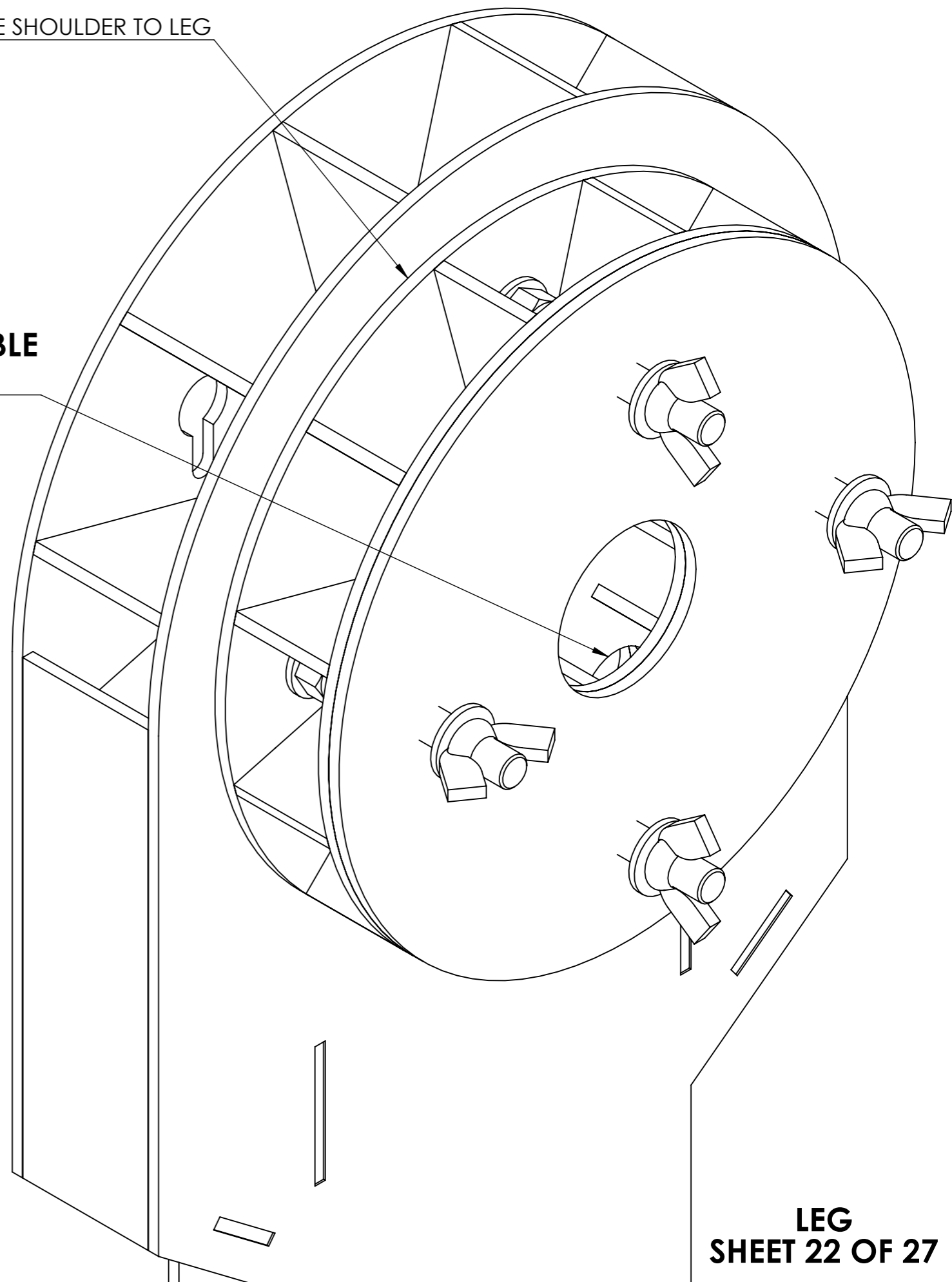


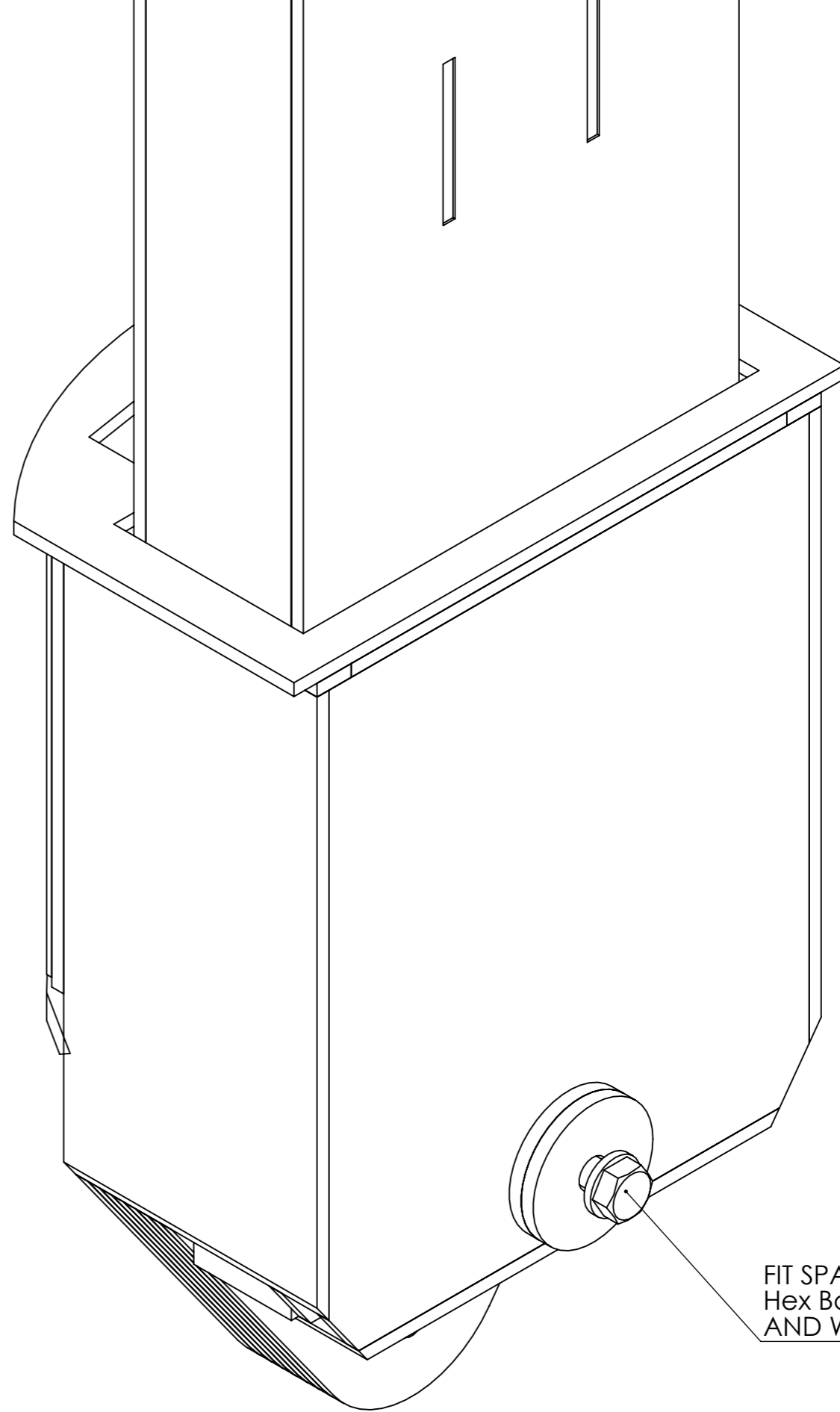
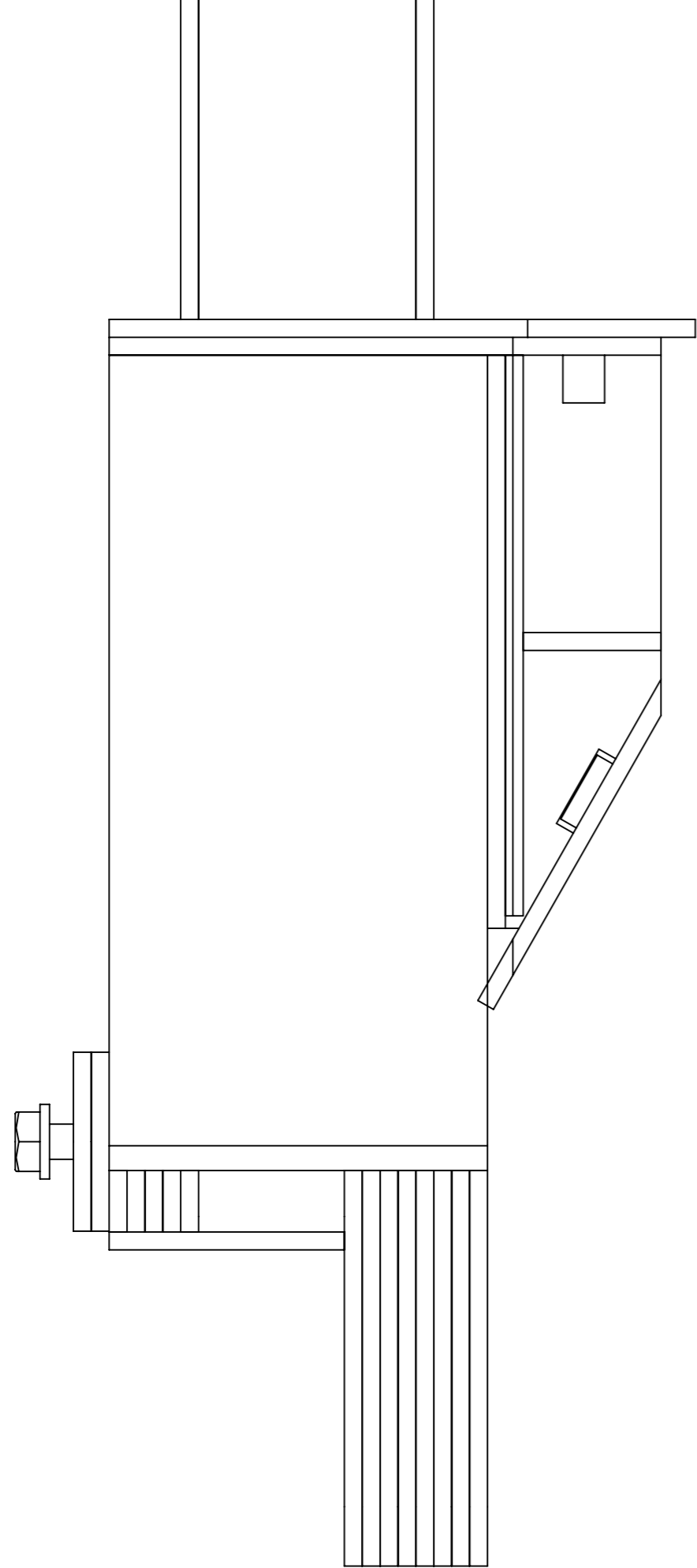
DOUBLE CHECK THAT
BACK NUT IS SUNG
AS PER PREVIOUS STEP

FIT AND TIGHTEN
M8 NUTS & WASHERS

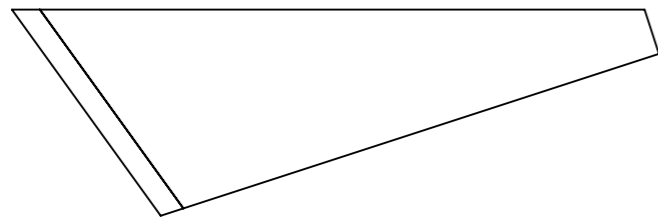
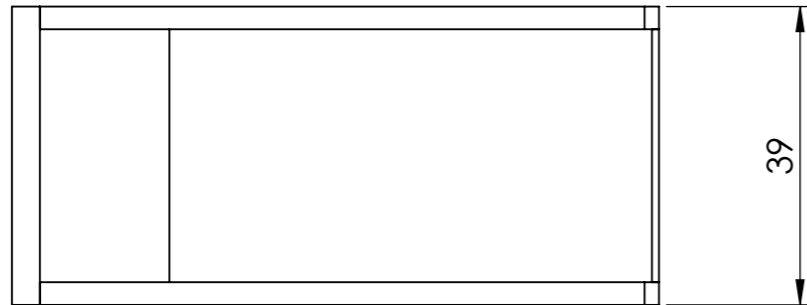
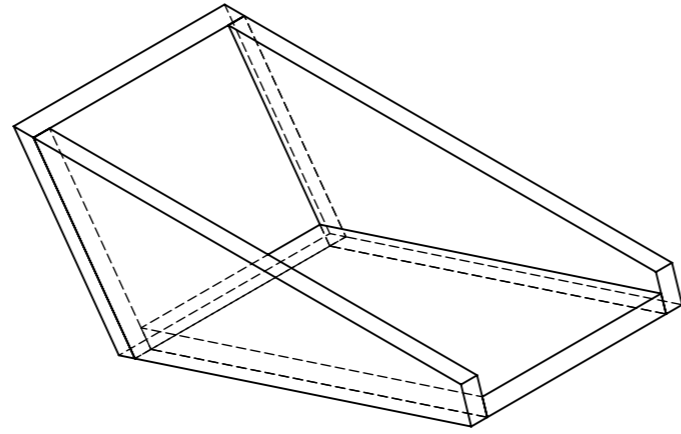
**!! MAKE SURE MOTOR CABLE
HOLE IS ALIGNED !!**

GLUE SHOULDER TO LEG

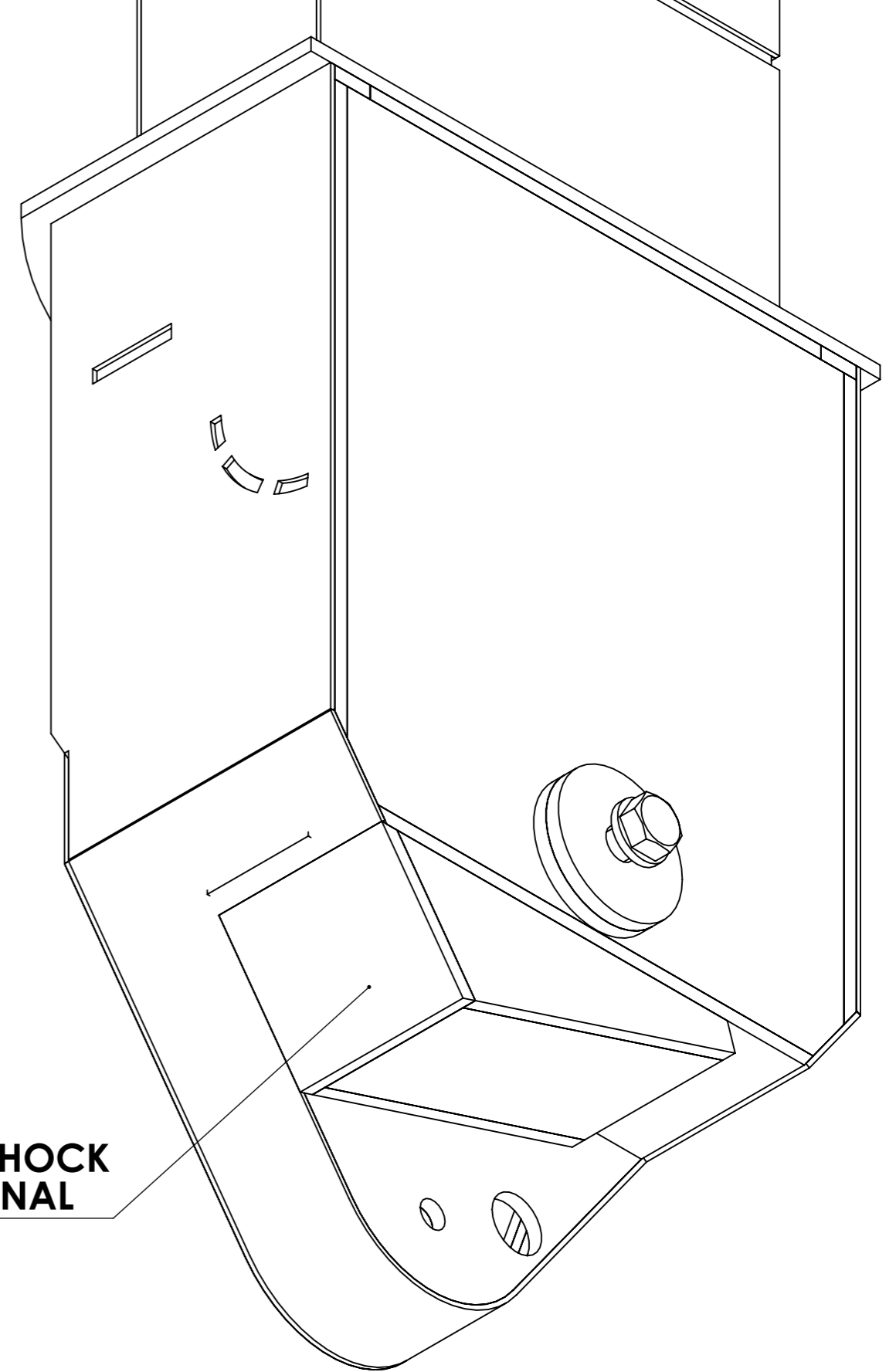


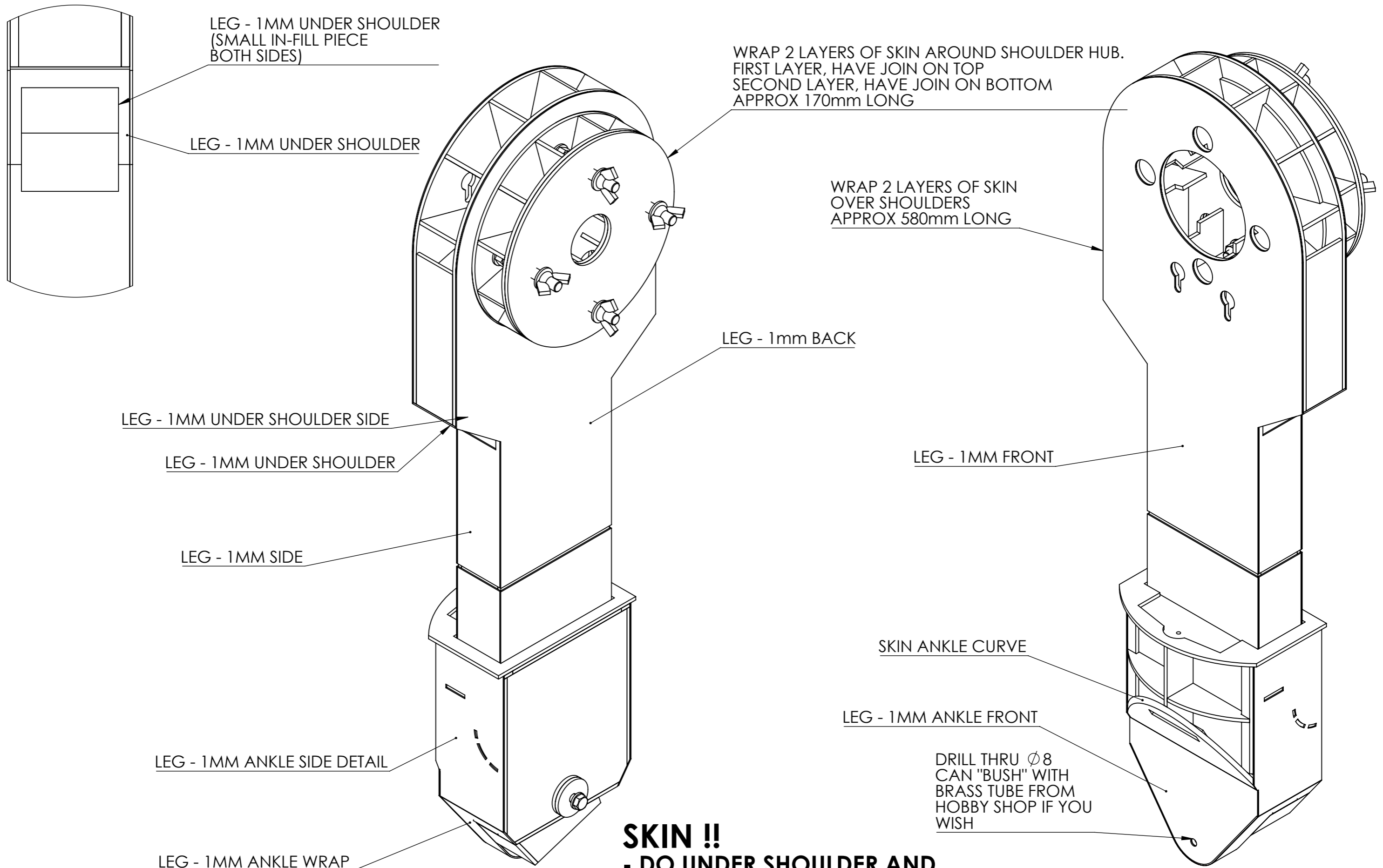


FIT SPACERS AND
Hex Bolt M6 x 30
AND WASHER

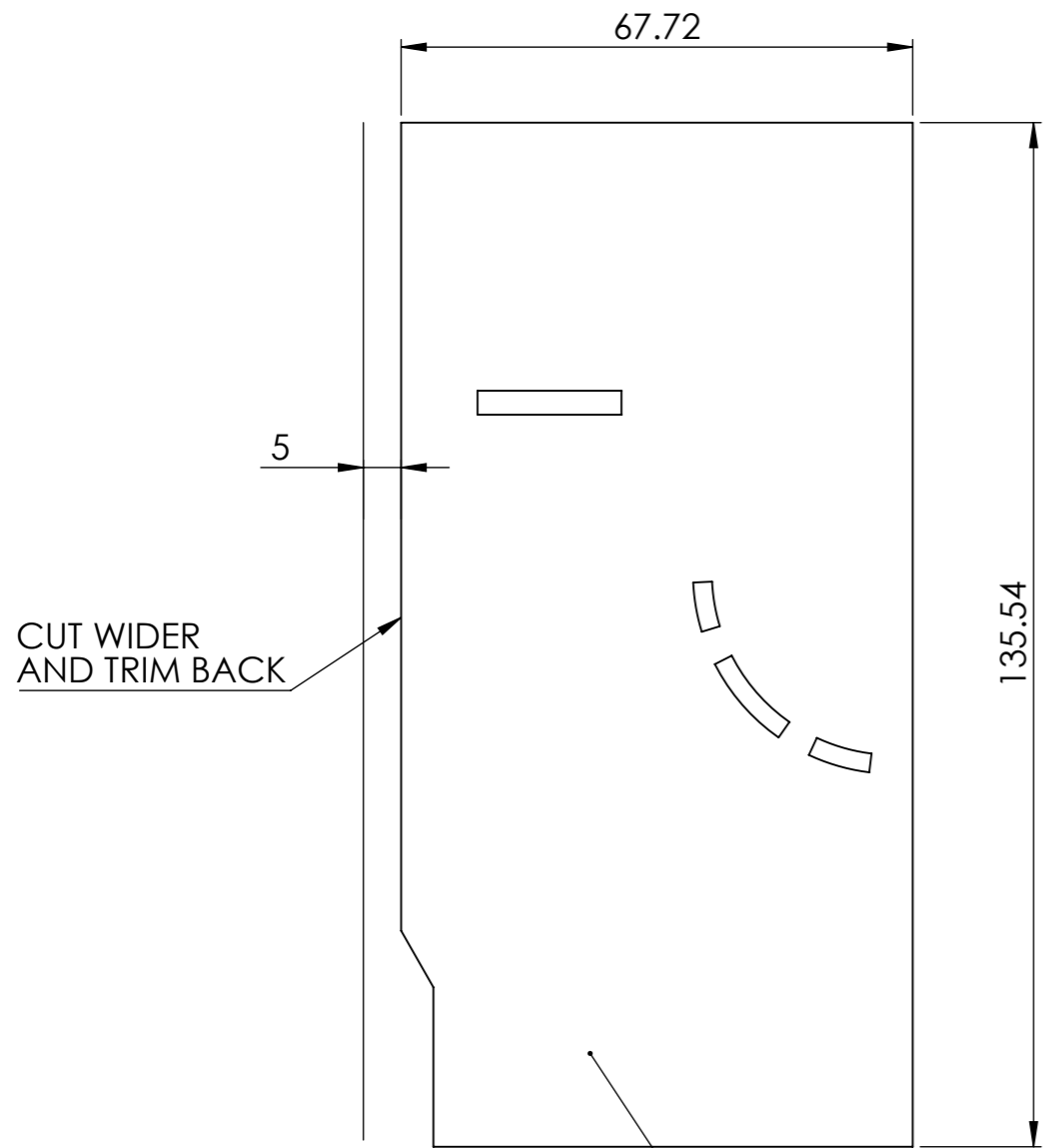


**LEG CHOCK
OPTIONAL**





SKIN !!
 - DO UNDER SHOULDER AND UNDER SHOULDER SIDES FIRST
 - THEN LEG SIDES AND OVER SHOULDER AND SAND/TRIM FLAT TO FACE OF LEG.
 - THEN LEG BACK PIECE
 - THEN REST



LEG - 1MM ANKLE SIDE DETAIL
2off REQUIRED

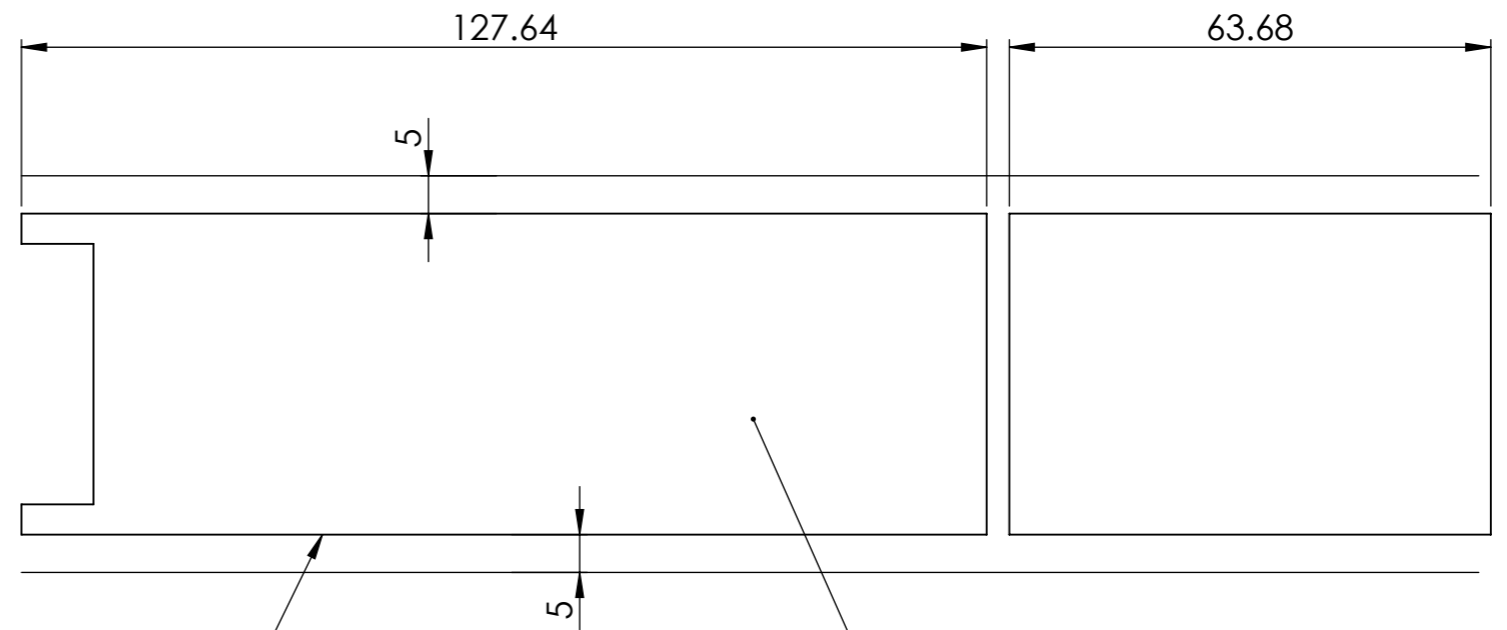
LEG - 1MM UNDER SHOULDER SIDE
4off REQUIRED

CUT WIDER
AND TRIM BACK

CUT WIDER
AND TRIM BACK

LEG - 1MM UNDER SHOULDER
2off REQUIRED

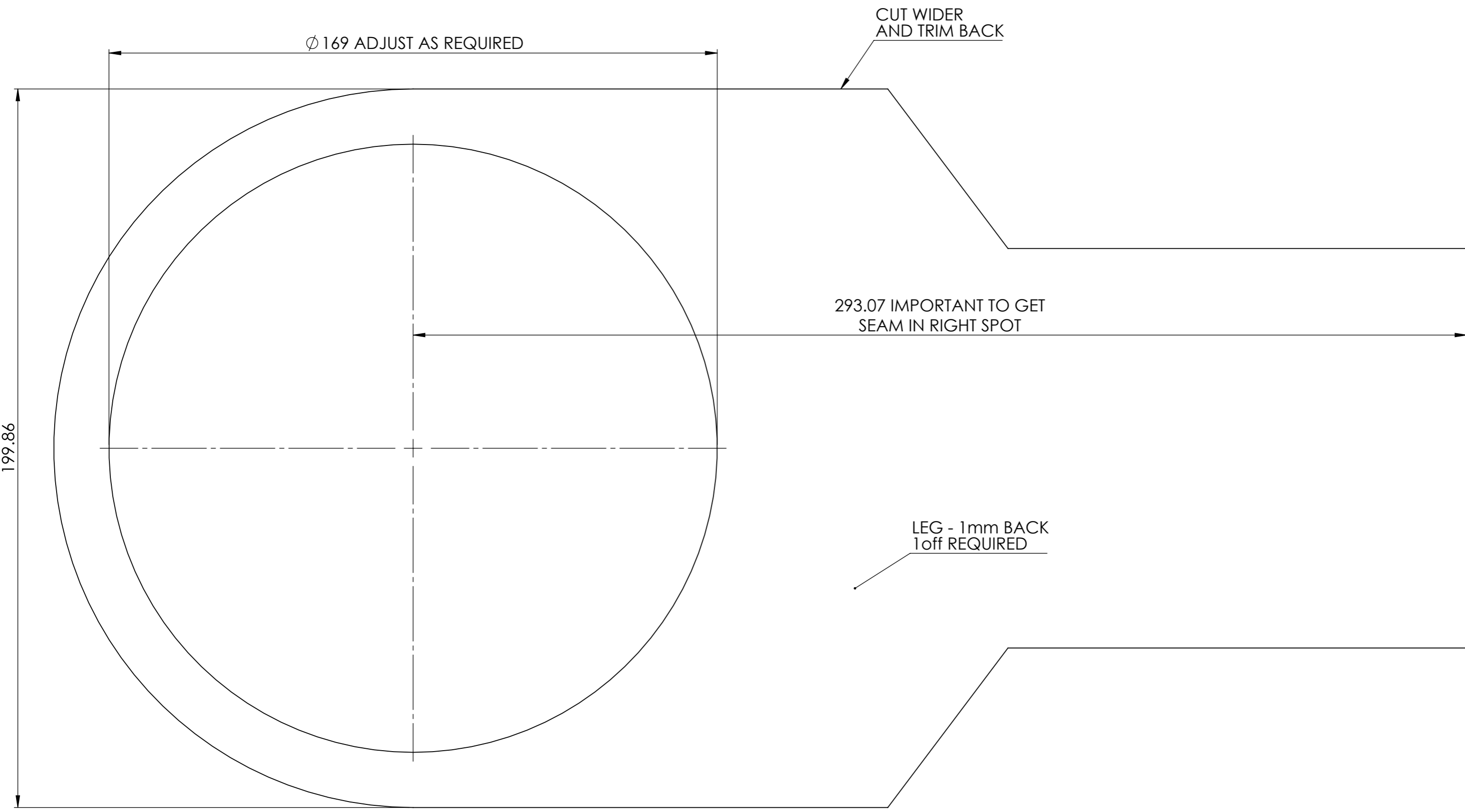
CUT WIDER
AND TRIM BACK



CUT WIDER
AND TRIM BACK

LEG - 1MM SIDE
2off REQUIRED

**PRINT FILL SIZE ON A3
CHECK DIMENSIONS AFTER
PRINTING - BEFORE CUTTING**



**PRINT FILL SIZE ON A3
CHECK DIMENSIONS AFTER
PRINTING - BEFORE CUTTING**