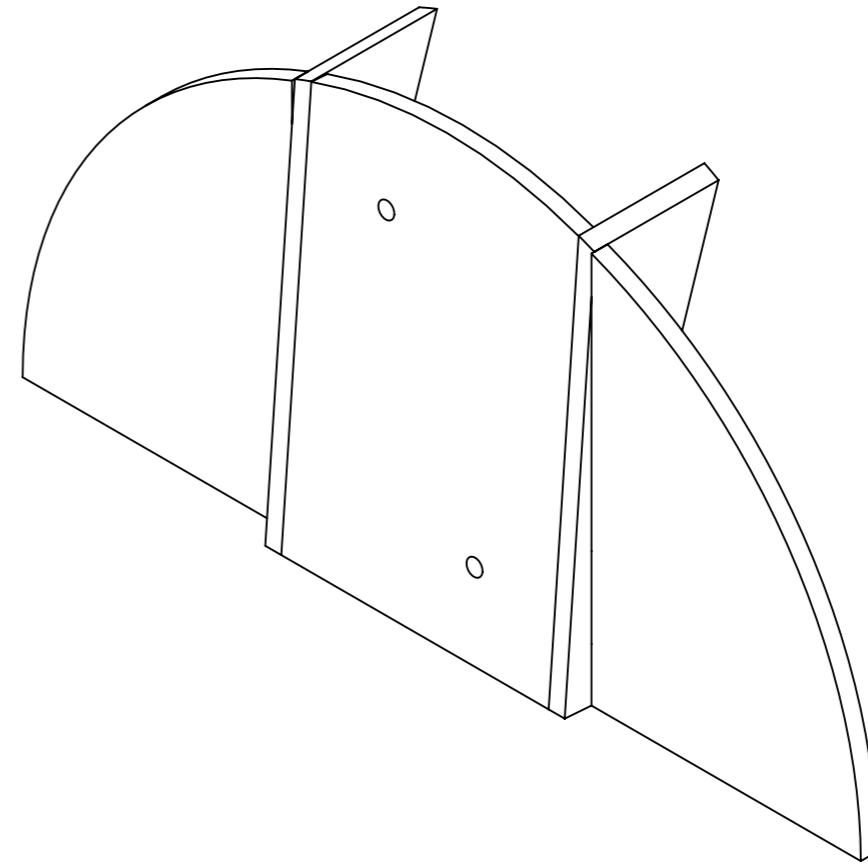
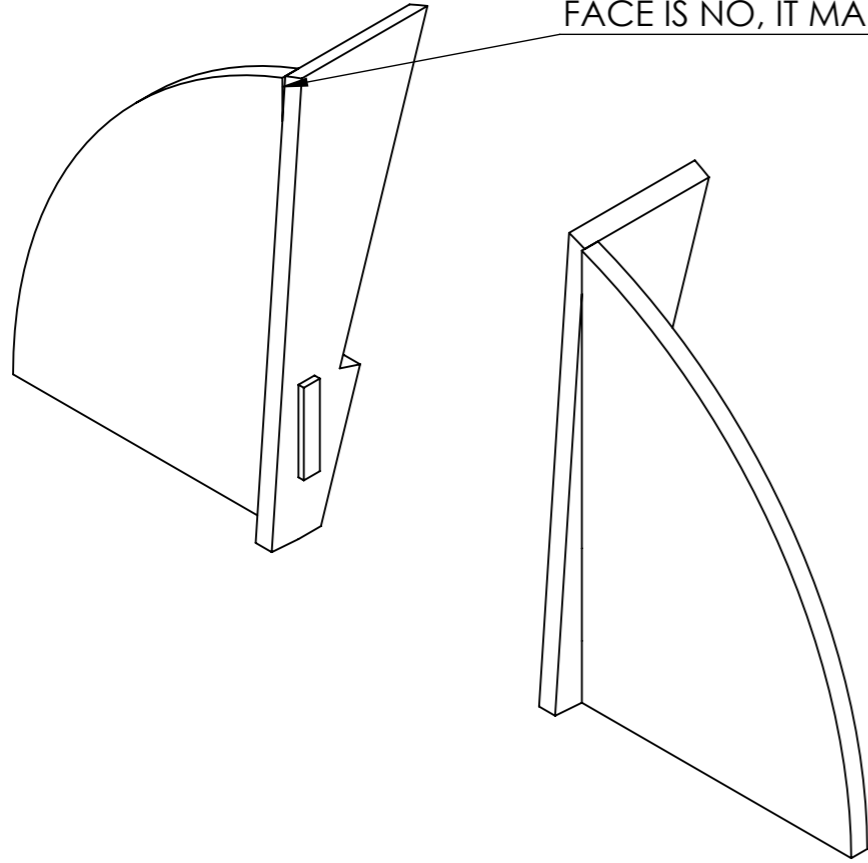
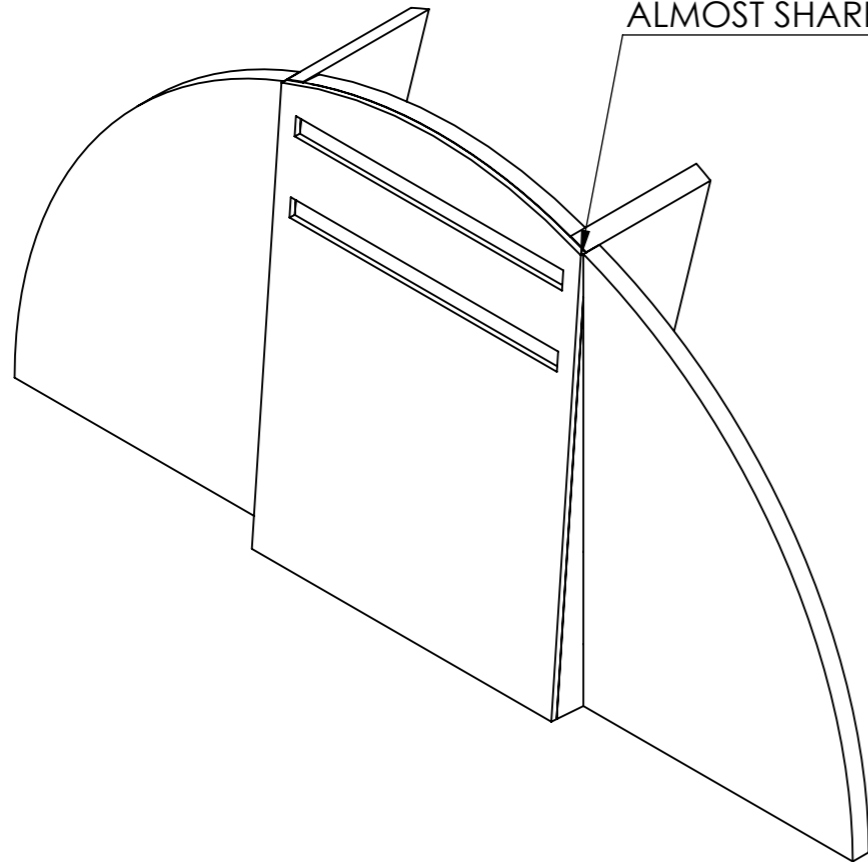


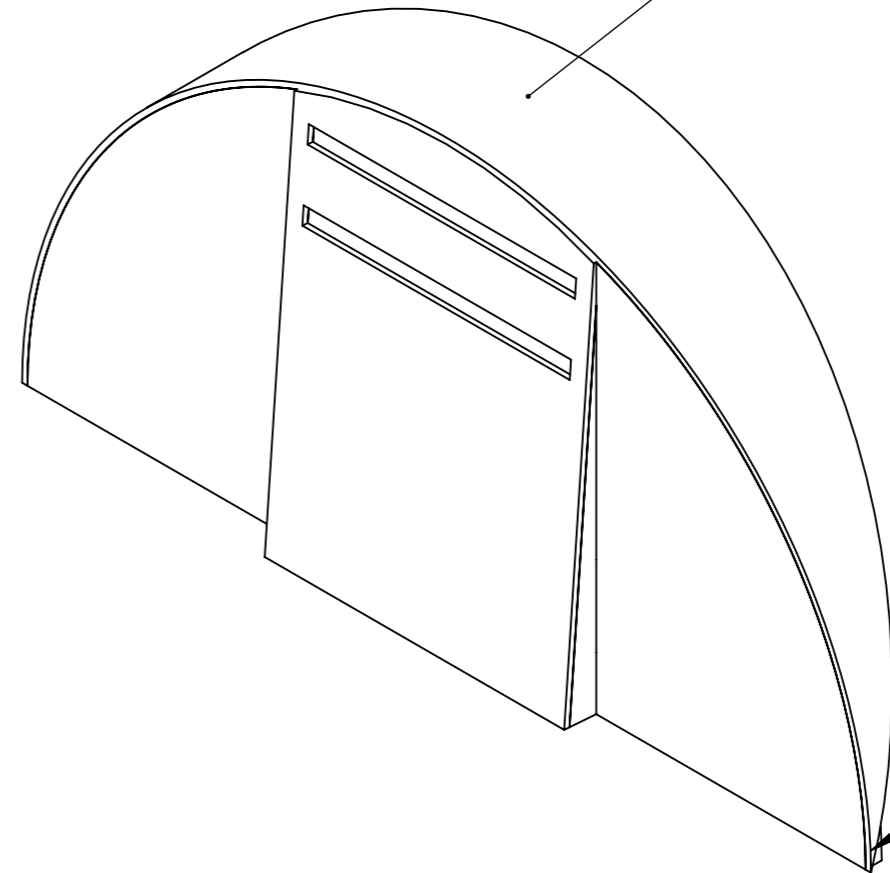
SLIGHT STEP SO WHEN 1mm FRONT
FACE IS NO, IT MAKES A SHARP CORNER



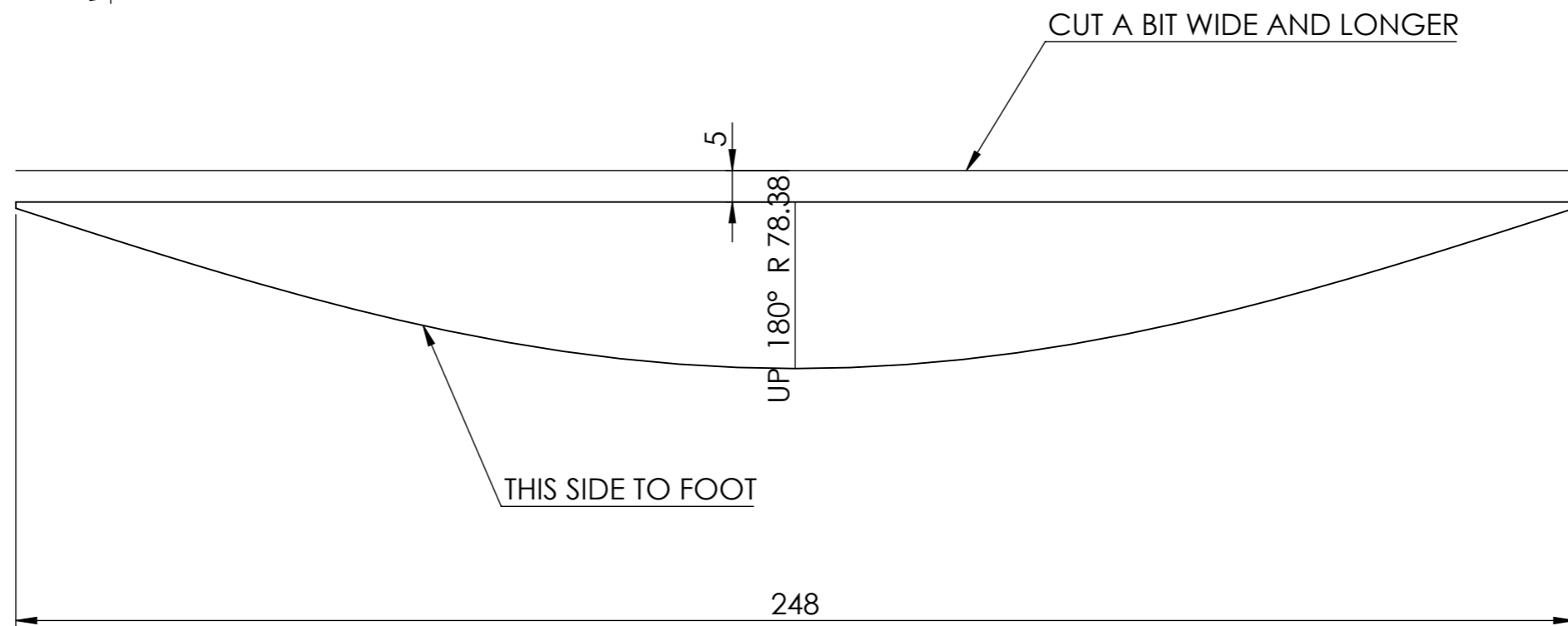
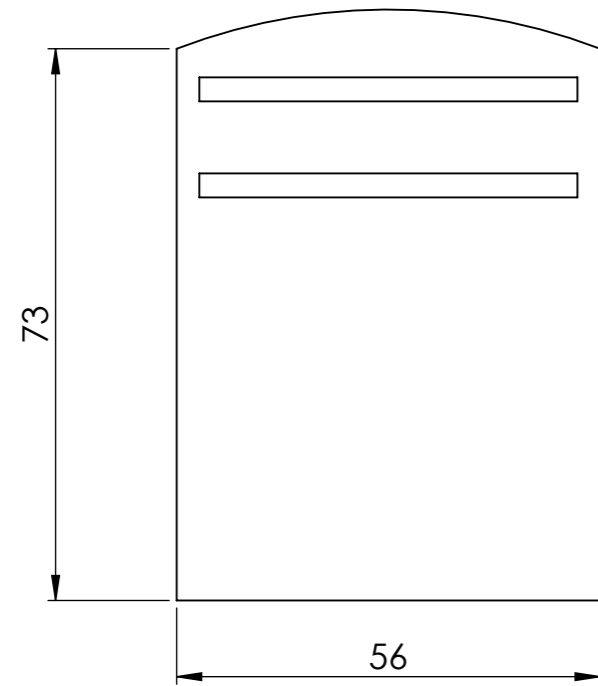
ALMOST SHARP CORNER



WRAP OUTER SKIN ONCE
HALFMOON IS GLUED TO FOOT



TAPE ENDS.
TRICKY BIT TO GLUE
PROPERLY



**PRINT FILL SIZE ON A3
CHECK DIMENSIONS AFTER
PRINTING - BEFORE CUTTING**