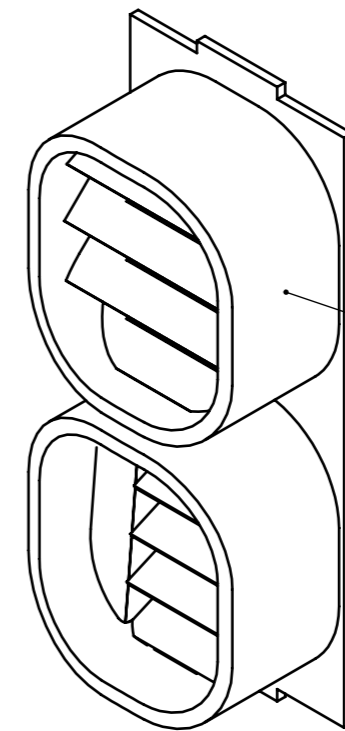
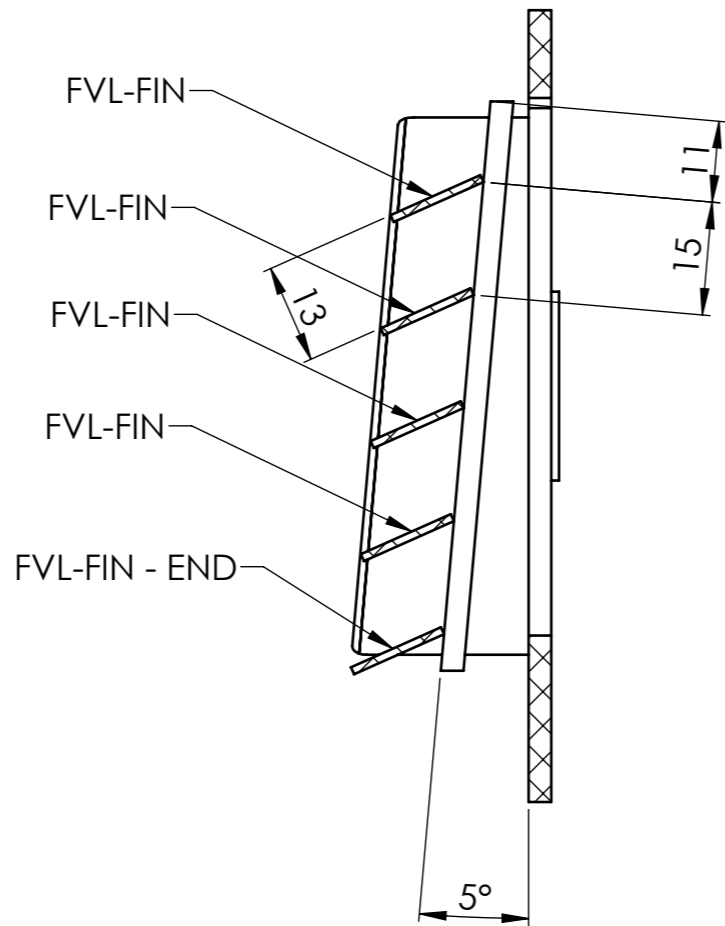
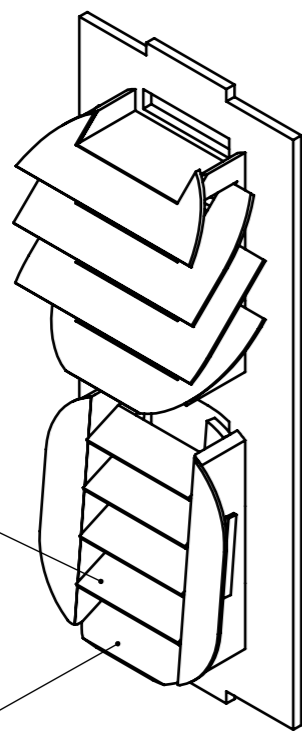
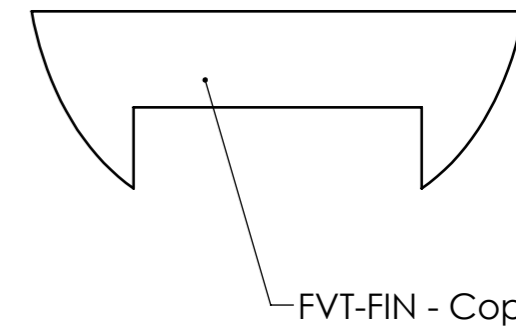
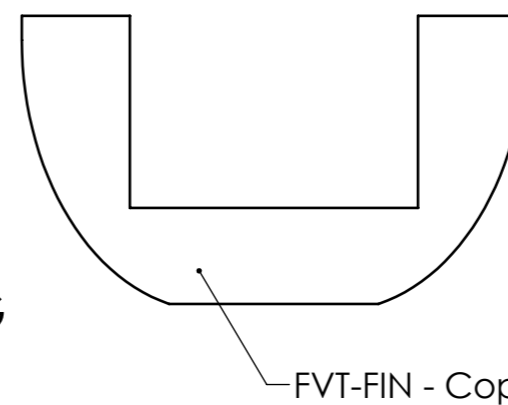
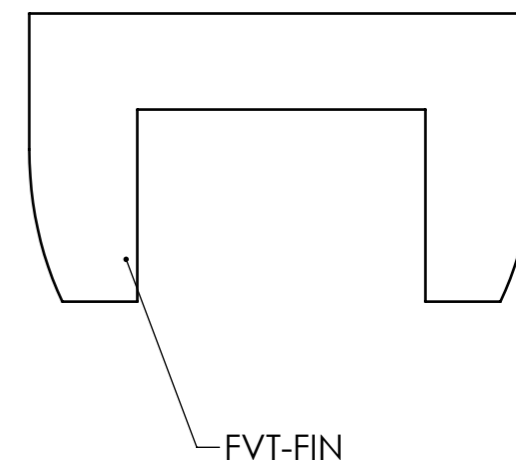
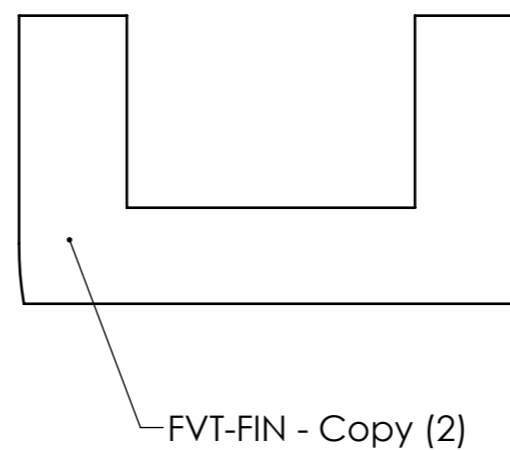
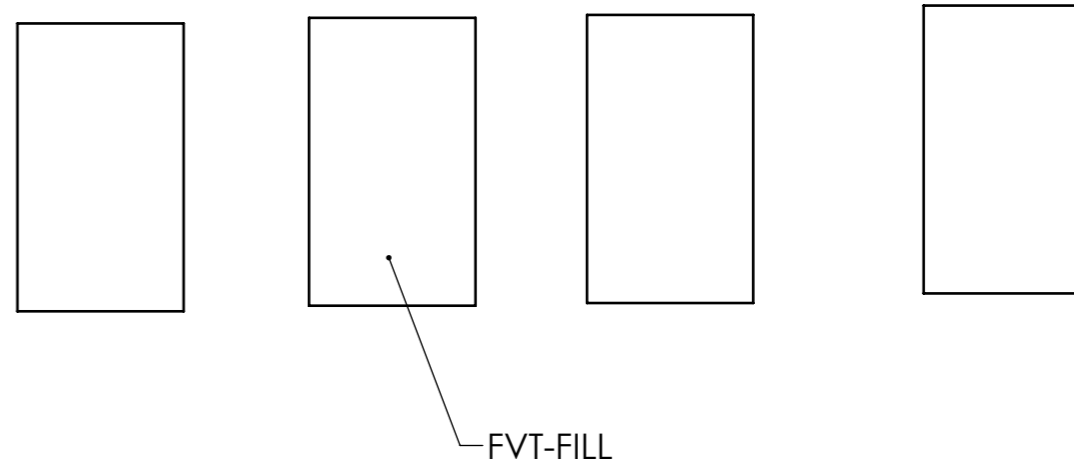
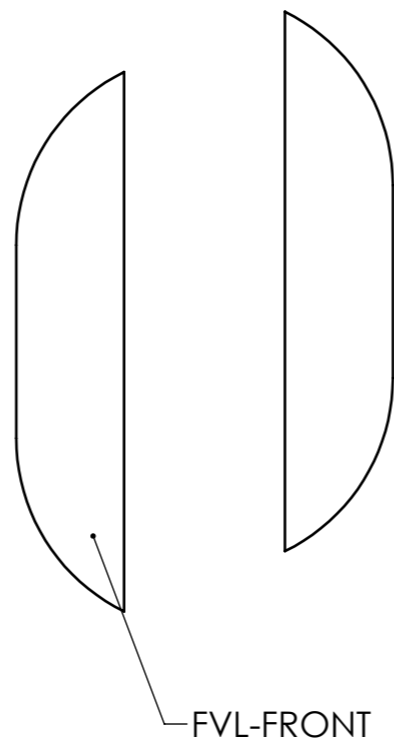
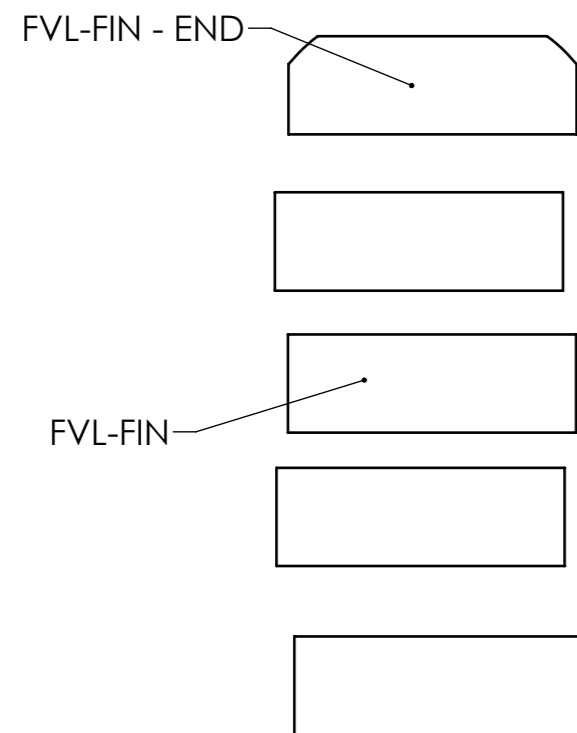


SOMETIMES IT IS EASIER
TO PUT FINS IN LAST
SOMETIMES.....
(YOUR CALL!)



BEST FIT RESIN SURROUNDS
AFTER SKINNING BODY TO
GET REQUIRED "STICK OUT"

LOWER VENT FINS
A BIT FIDDLEY



1mm CUTTING
PRINT "FULL SIZE" ON A3 PAPER
AND CHECK DIMENSIONS AFTER PRINTING