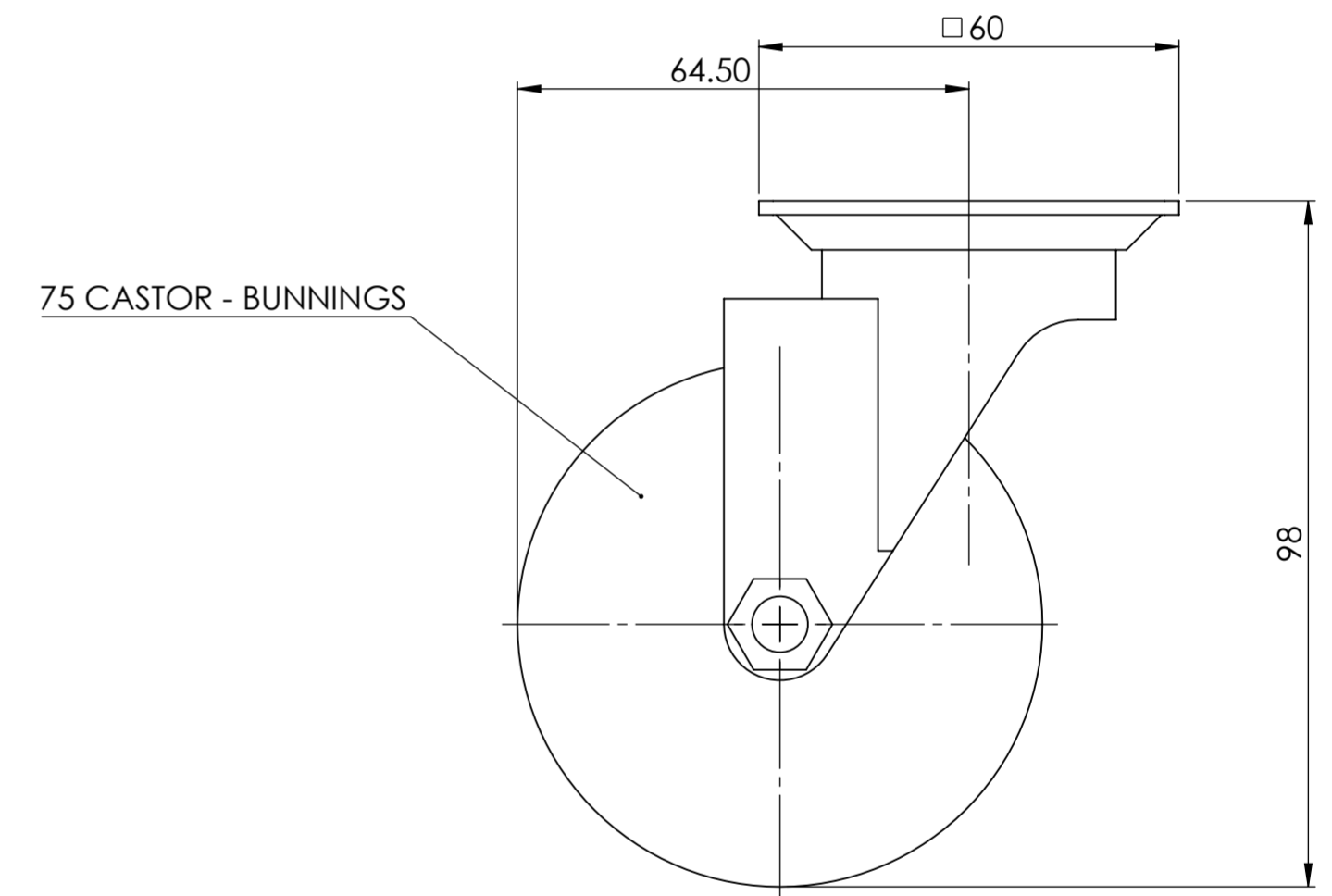


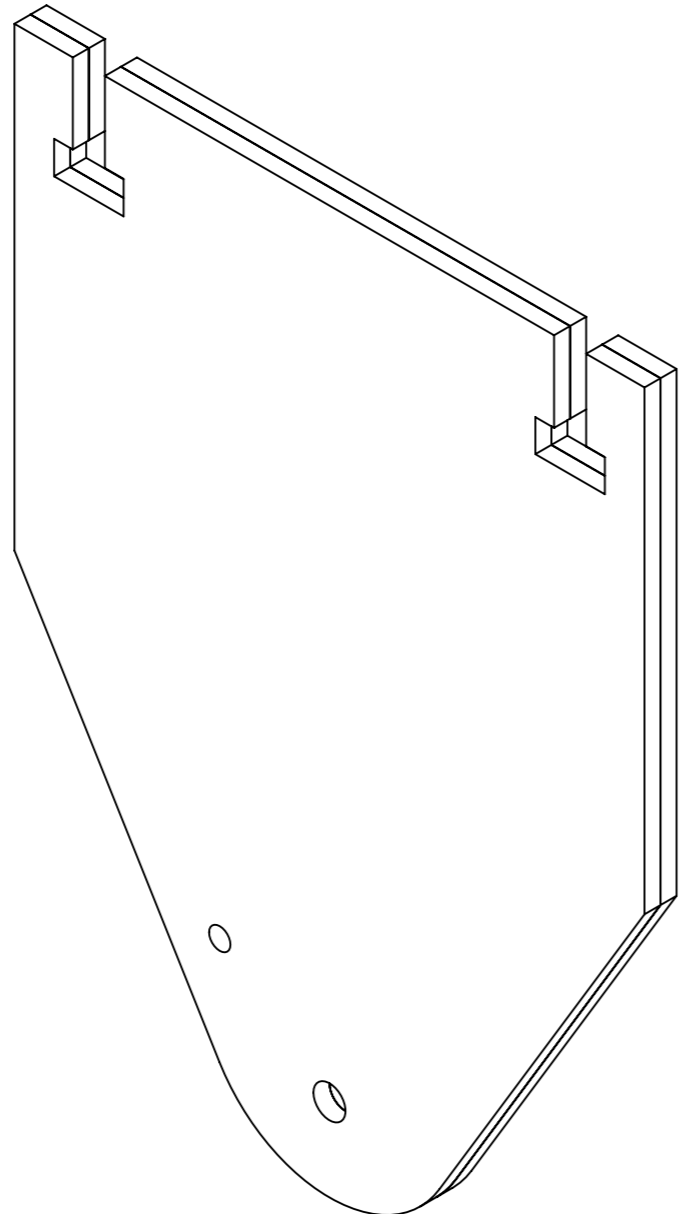
ITEM	DESCRIPTION	QTY.
1	CENTRE FOOT ASEMBLY	1
2	CENTRE ANKLE ASSEMBLY	1
3	HALF MOON ASSEMBLY	2
4	ANKLE CYLINERS	2
5	Hex Head Set Screw M6 x 16	4
6	Socket Head Cap Screw M6 x 55	1
7	Nyloc Nut M6	5
8	M6 PLAIN WASHER ZINC	6
9	Socket Head Cap Screw M8 x 60	1
10	Hex Head Set Screw M8 x 40	2
11	M8 PLAIN WASHER ZINC	4
12	Nyloc Nut M8	1
13	Wing Nut M8	2
14	75 CASTOR - BUNNINGS	1



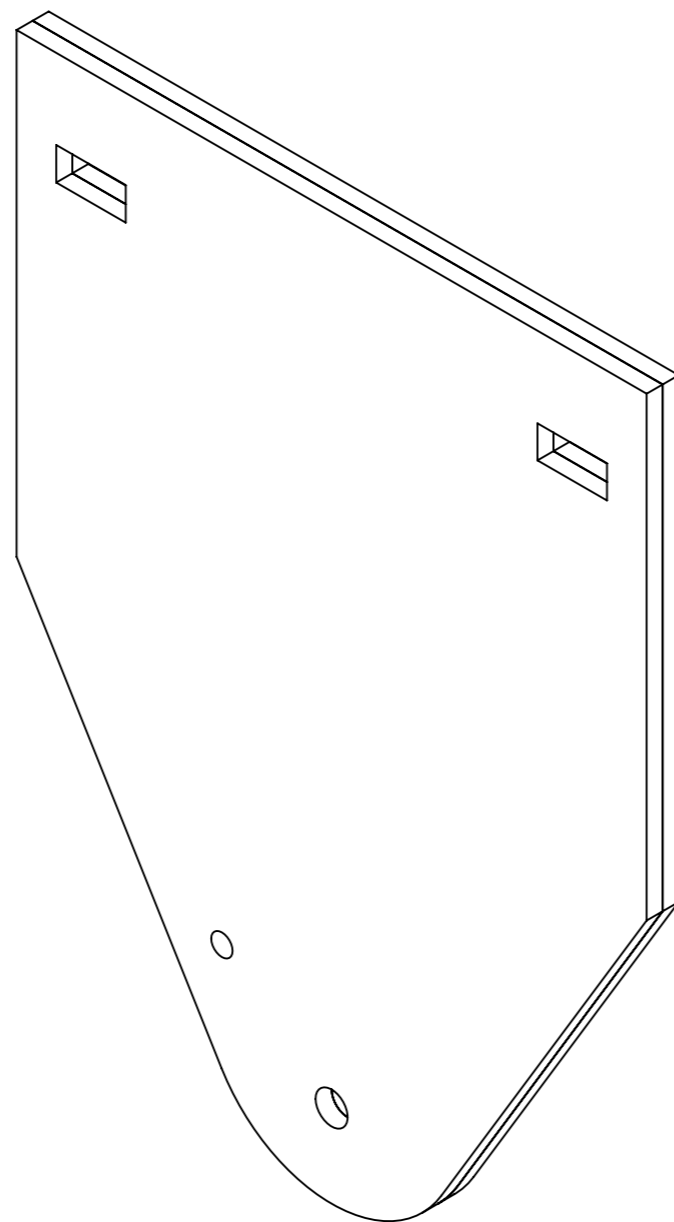
IT IS RECOMMENDED TO CUT 1mm "SKIN" PARTS OVERSIZED AND TRIM BACK AFTER GLUE HAS SET EXCEPT FOR THE "SIDE DETAIL" PARTS

These instructions are only a guide !!
 There are many versions of "R2" style units
 The builder is ultimately responsible for their build
 It is expected that builders have an understanding of
 use of tools and reading of drawings and common sense

START ON THE ANKLE

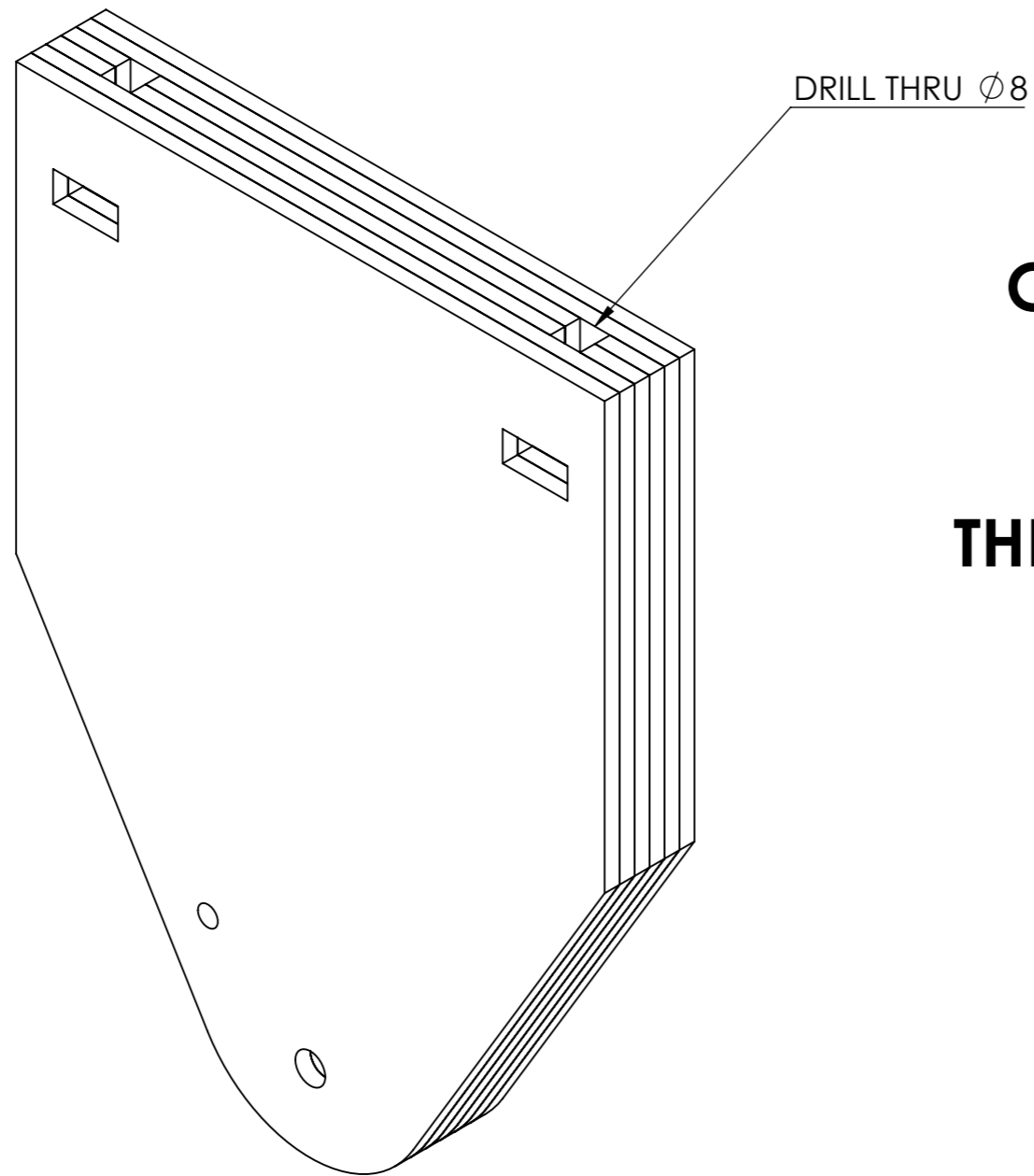


GLUE TOGETHER



NEED 2 PAIRS OF THESE !

GLUE TOGETHER

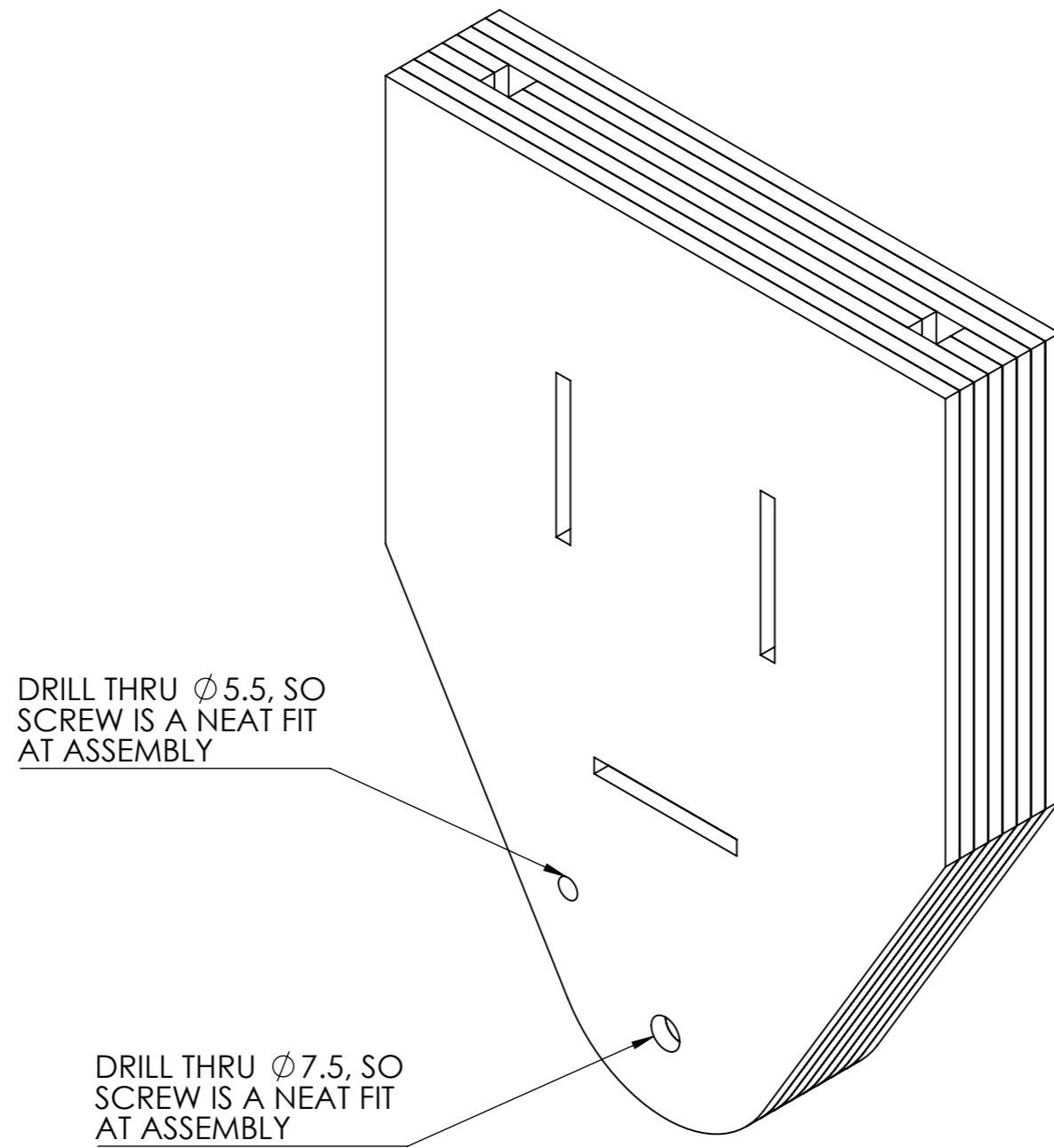


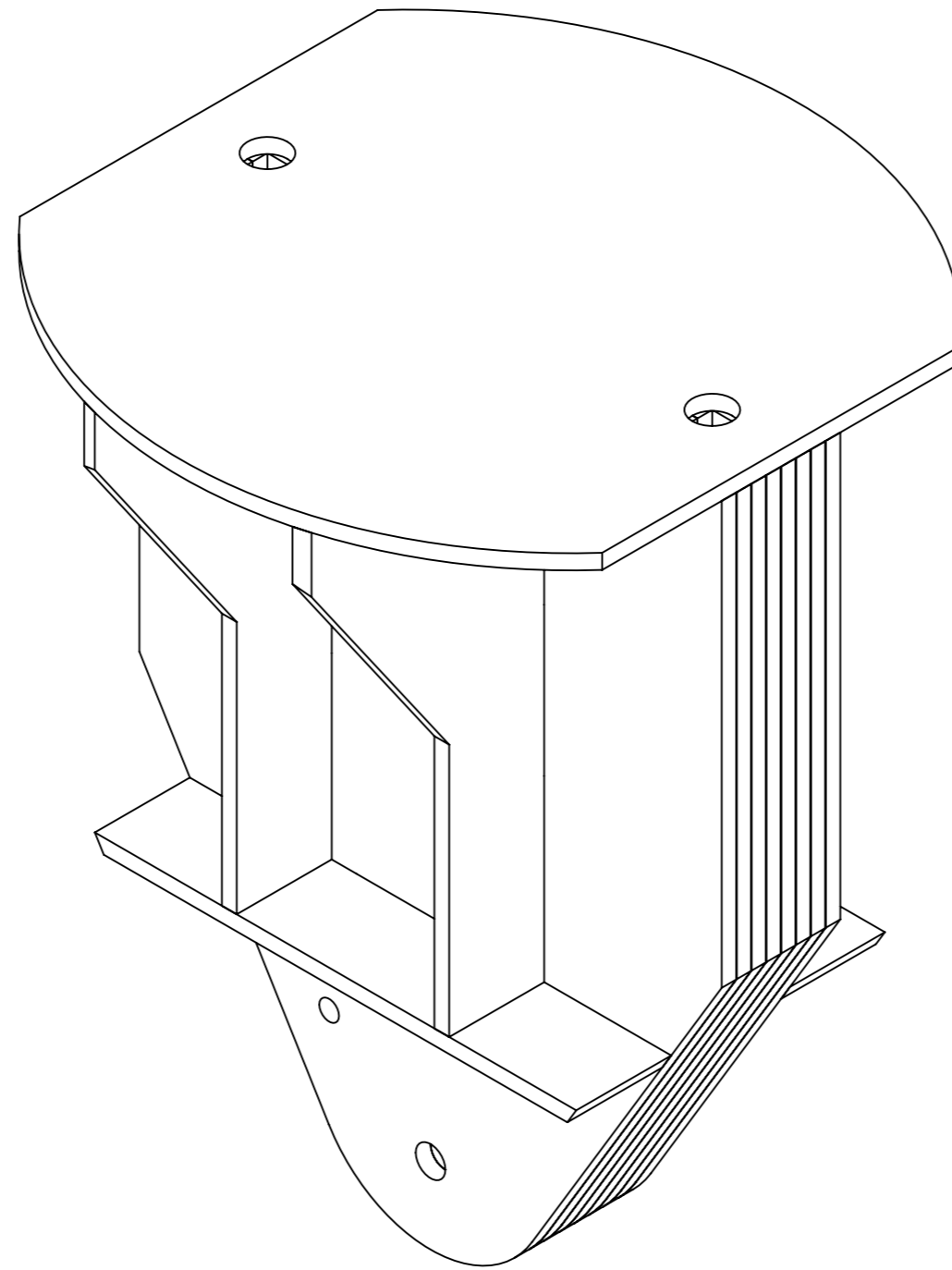
**CLAMP LAST 2 BUILDS (NO GLUE!!)
TOGETHER AND DRILL OUT
HOLES SO BOLTS FIT NEATLY**

**THEN FIT 2 x M8x40 HEX HEAD SCREW
TEST FIT, THEN GLUE TOGETHER**

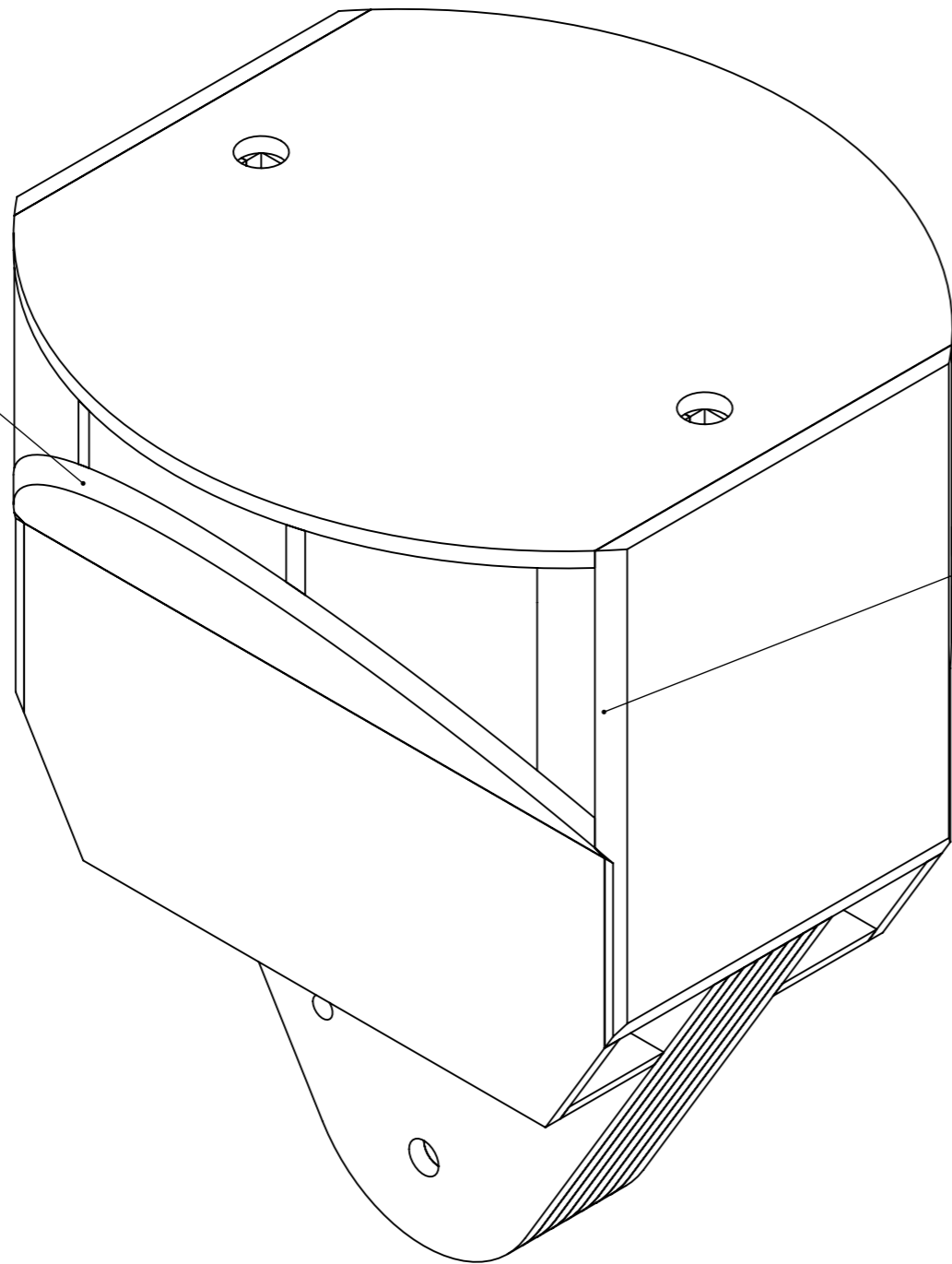
SCREW CAN BE LONGER

SCREWS NOT SHOWN HERE :(

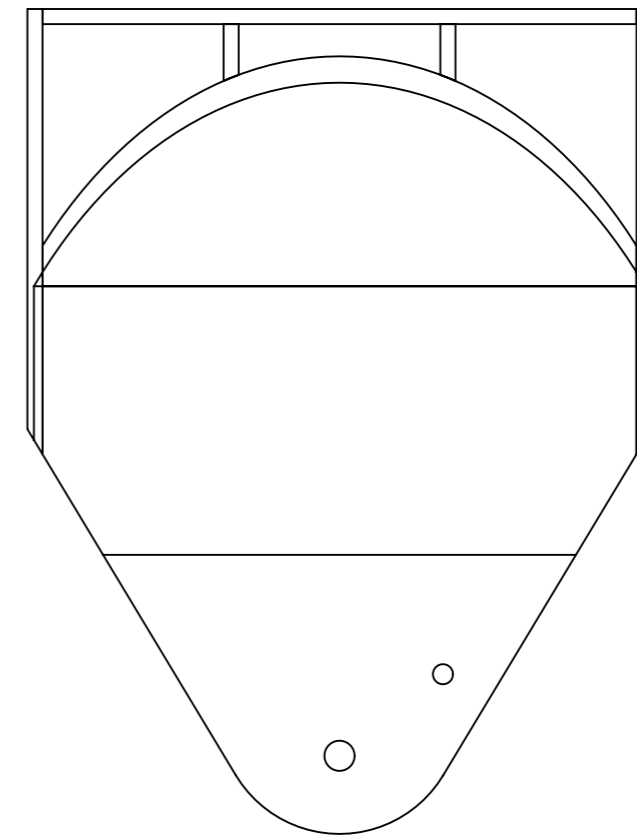
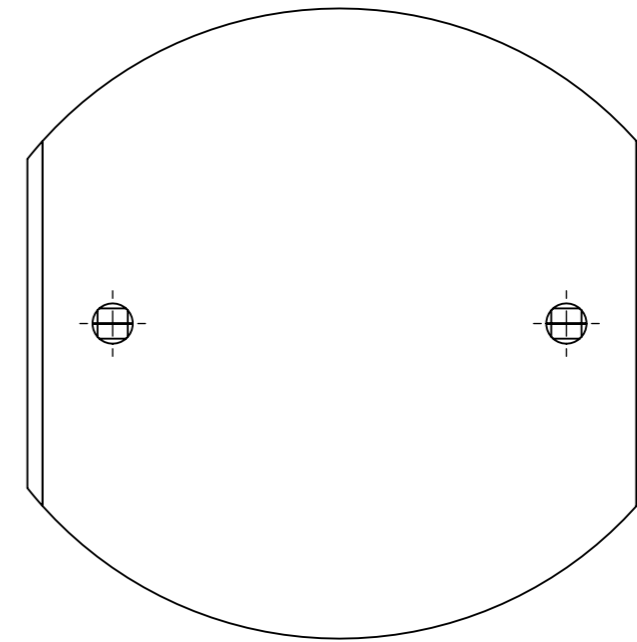




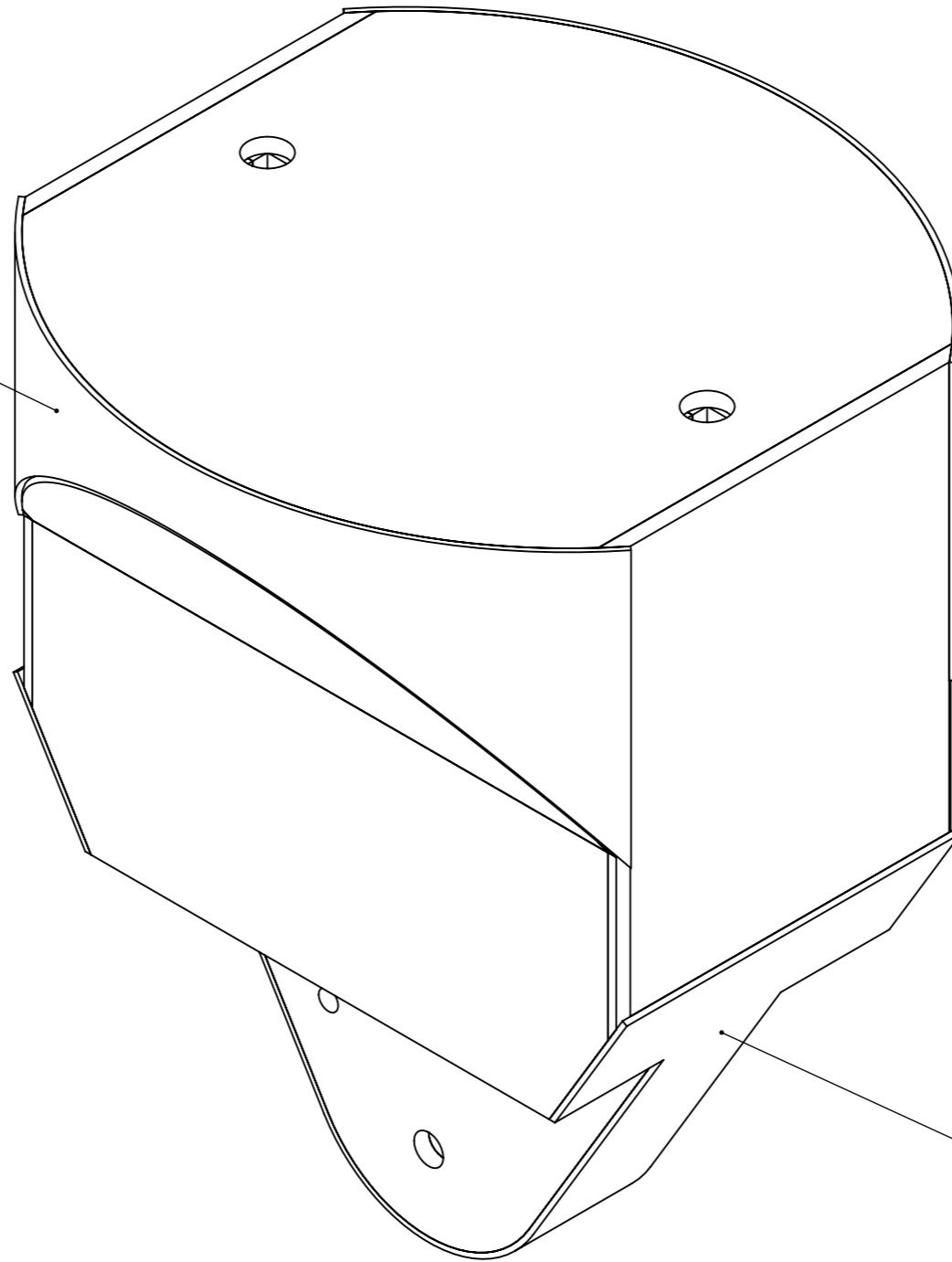
SHAPE SURFACE
READY FOR SKINNING



SHAPE SURFACE
READY FOR SKINNING

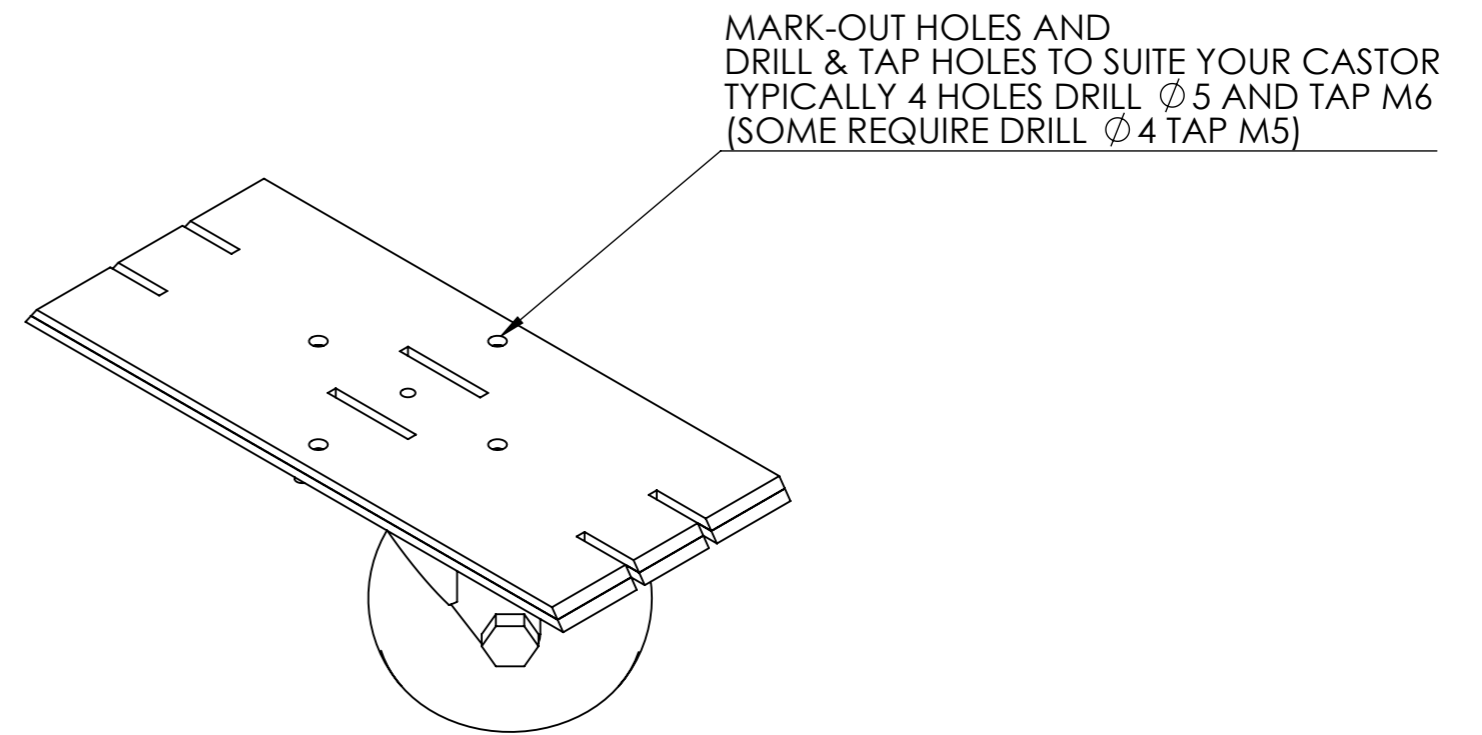
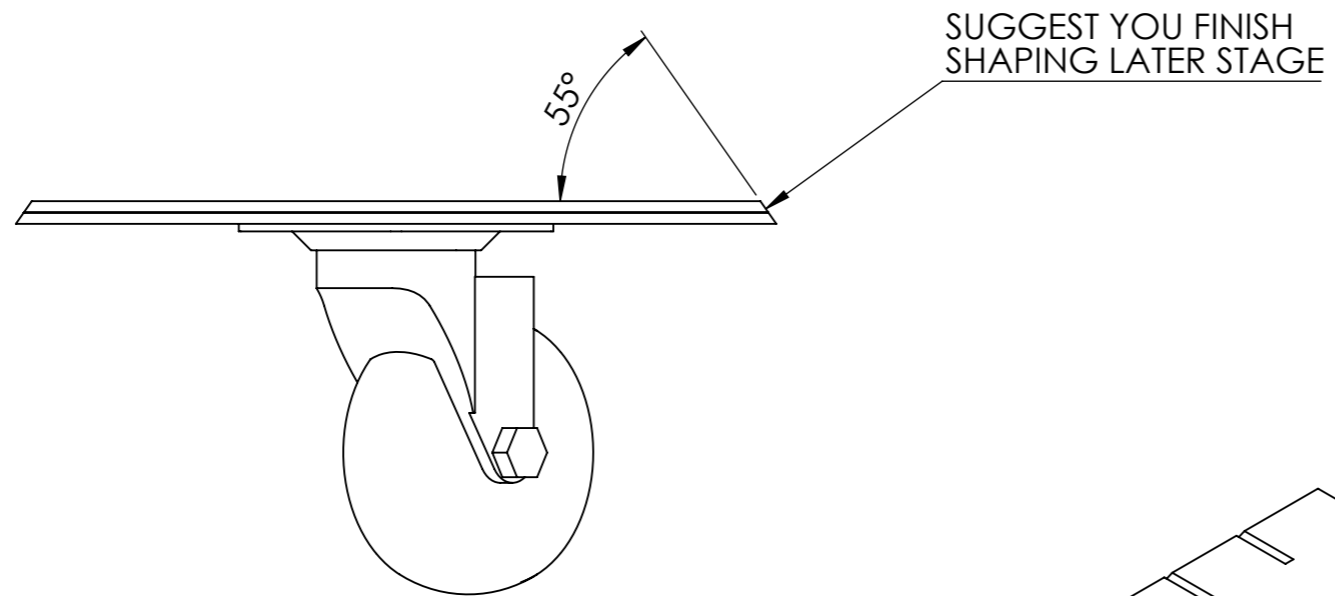


ADD 1mm SKINS, AND SHAPE TO SUITE

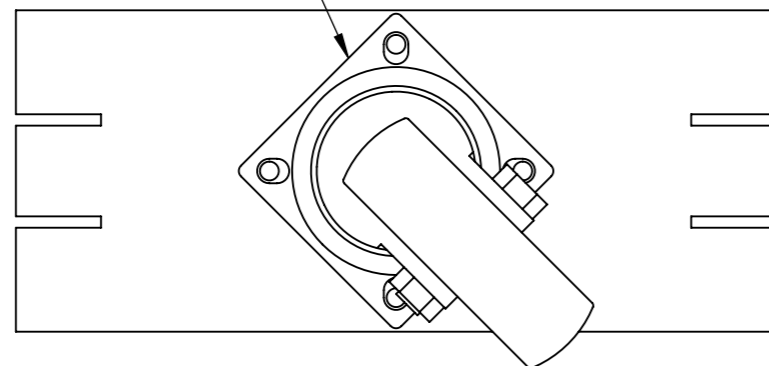


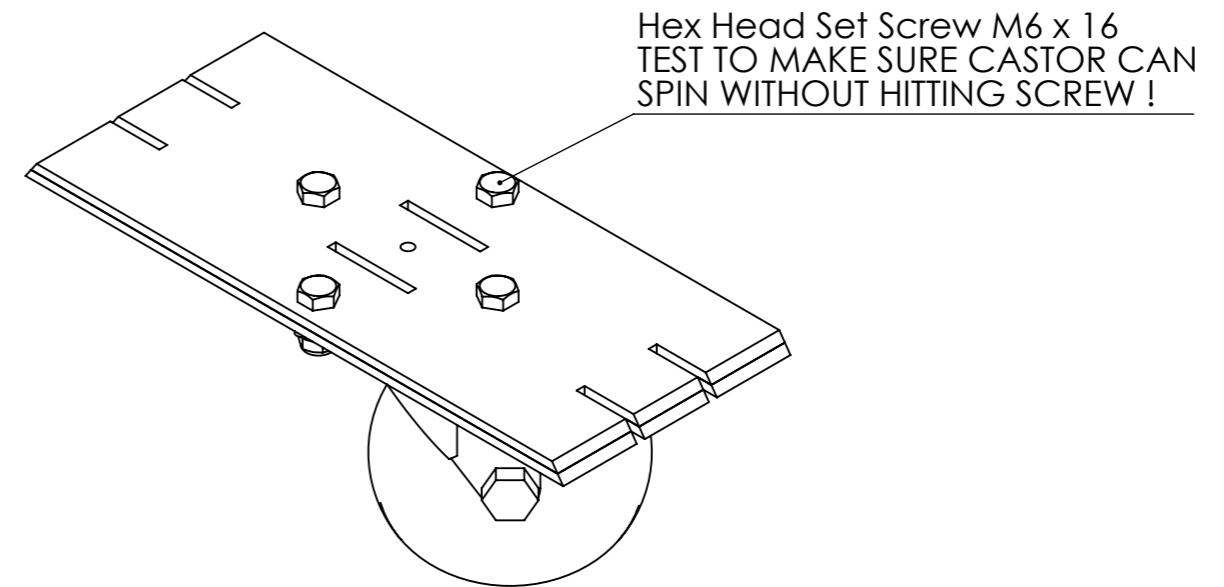
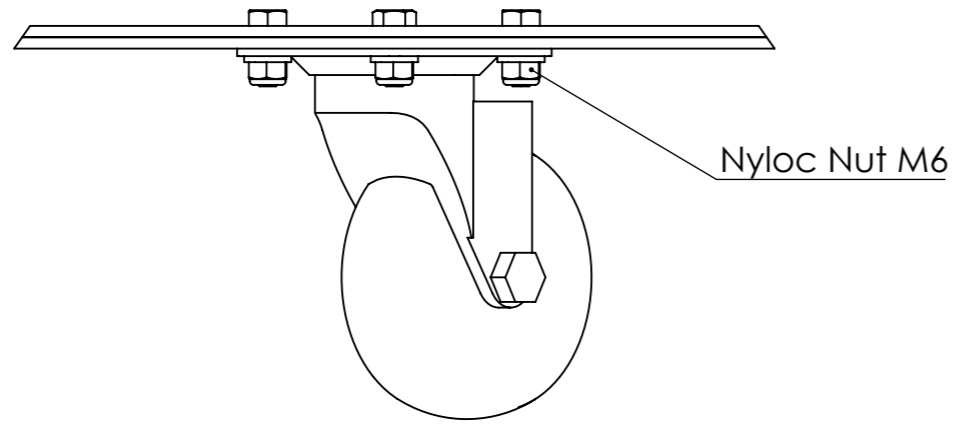
ADD 1mm SKINS, AND SHAPE TO SUITE

STARTING ON THE FOOT

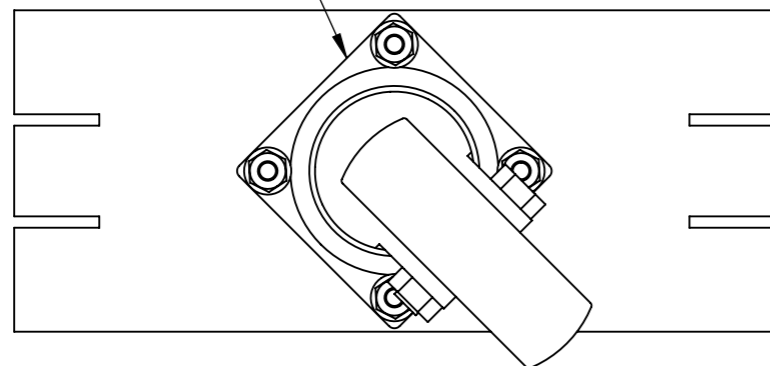


SQUARE BASE CASTOR PREFERRED

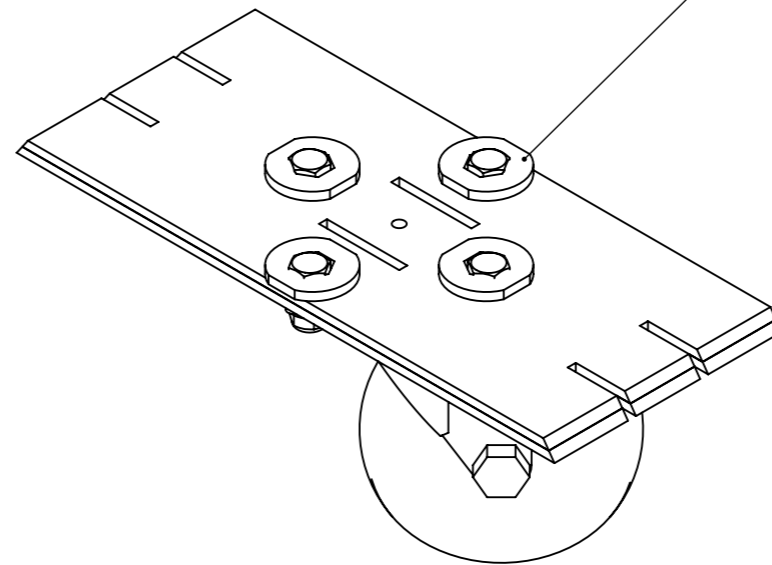
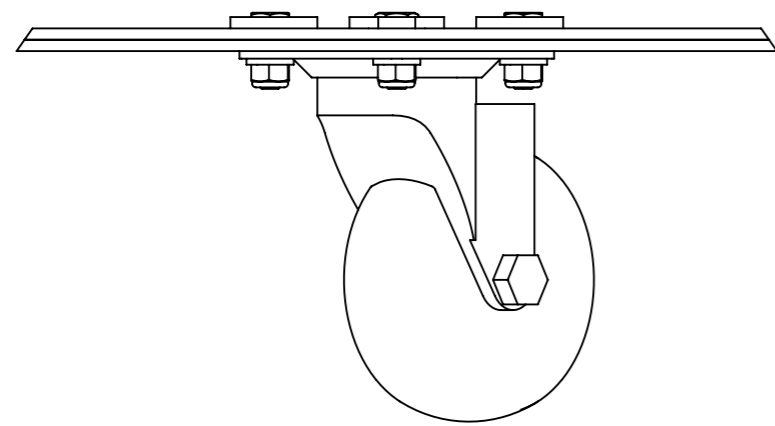
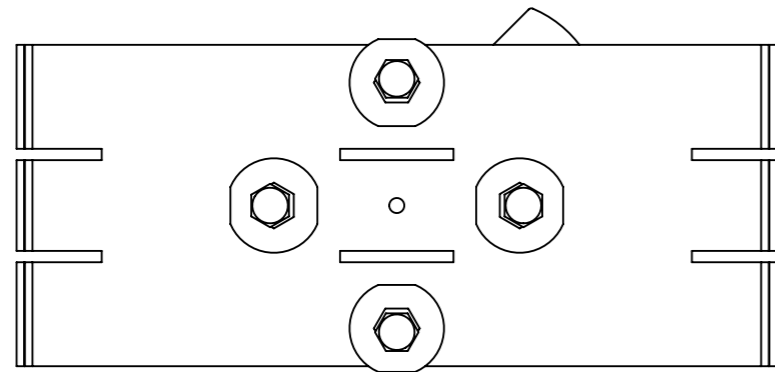




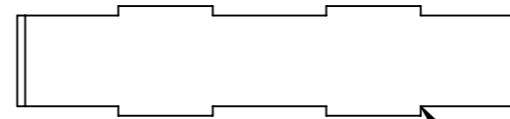
SQUARE BASE CASTOR PREFERRED



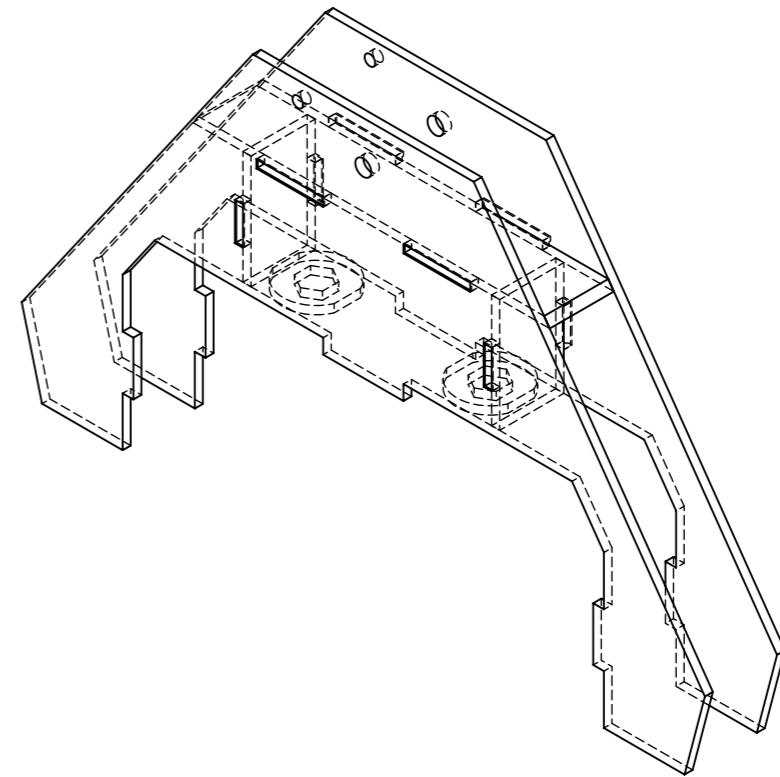
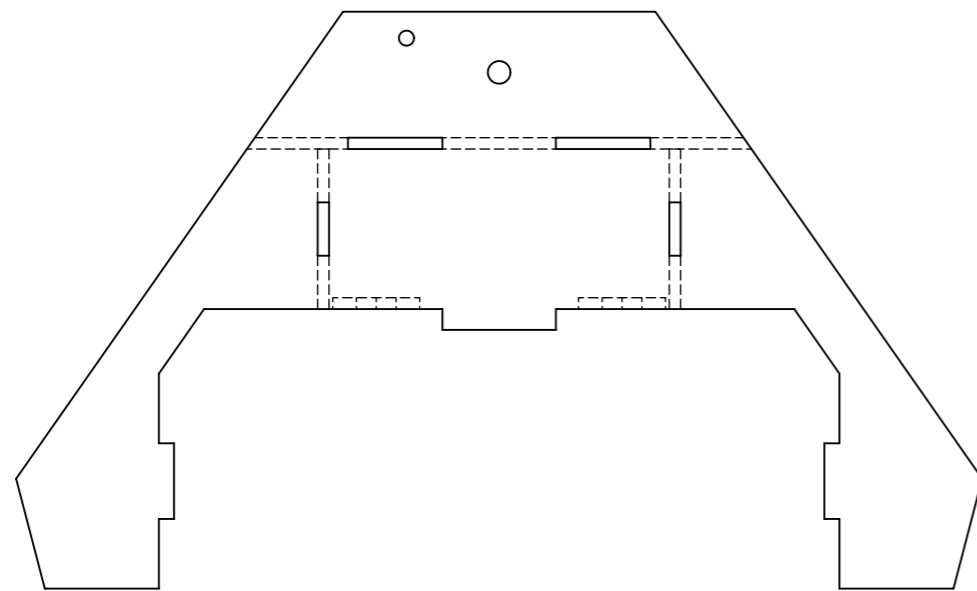
**SCREW 4 x M6x16 SCREWS INTO STYRENE,
AND USE NYLOC NUTS TO
HOLD ALL INTO PLACE
TEST FIT LENGTH OF SCREWS !**

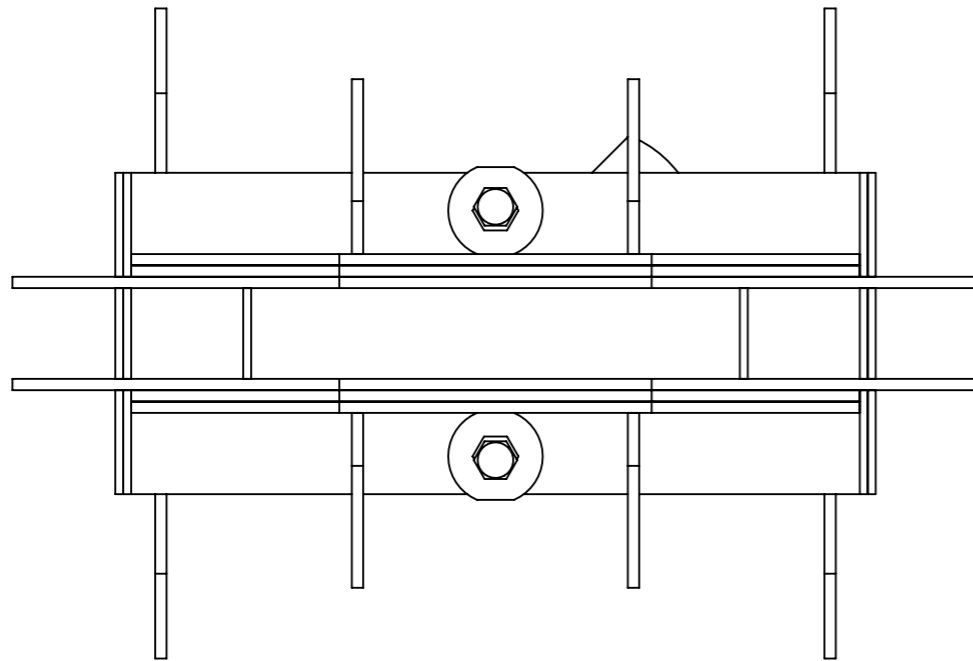


GLUE IN 4 x NUT HEAD RETAINING PLATES
IF YOU HAVE USED M5 NUTS, FILL EXCESS SPACE
WITH LIQUID NAILS
MAY NEED TO RE-CUT YOUR OWN FLATS

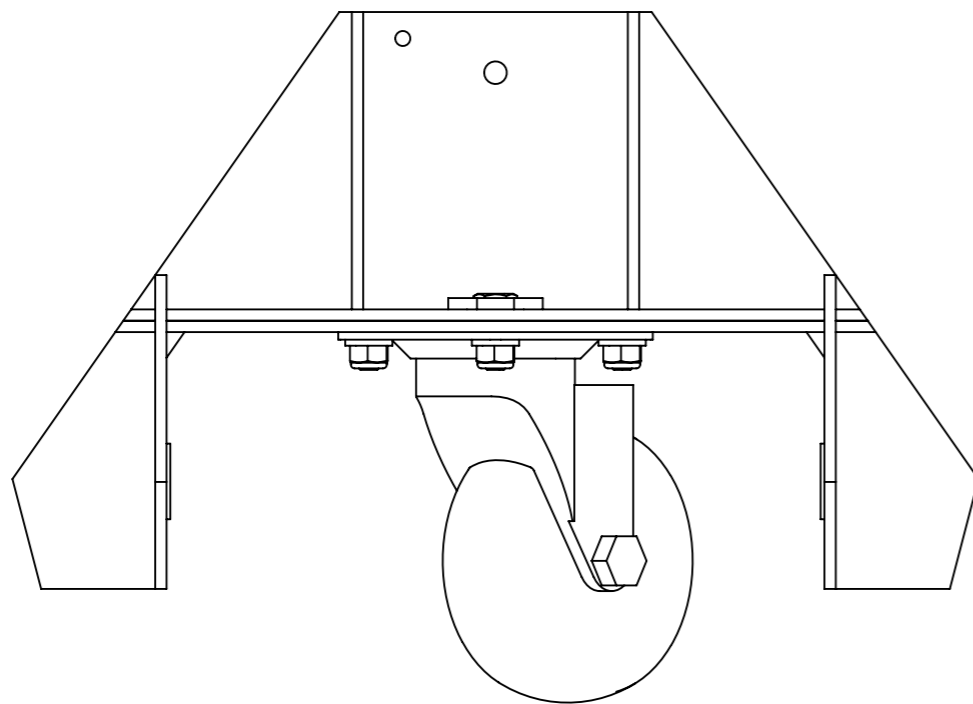
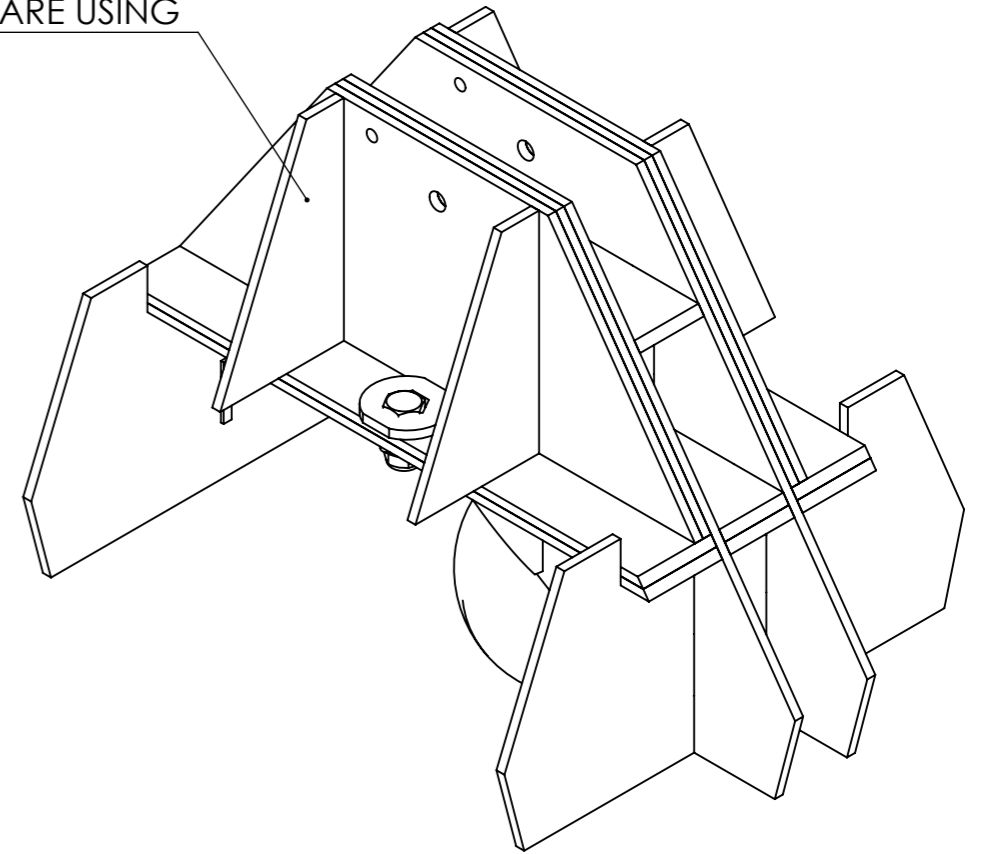


MAKE INSIDE CORNERS
SQUARE WITH KNIFE OR FILE
8 LOCATIONS

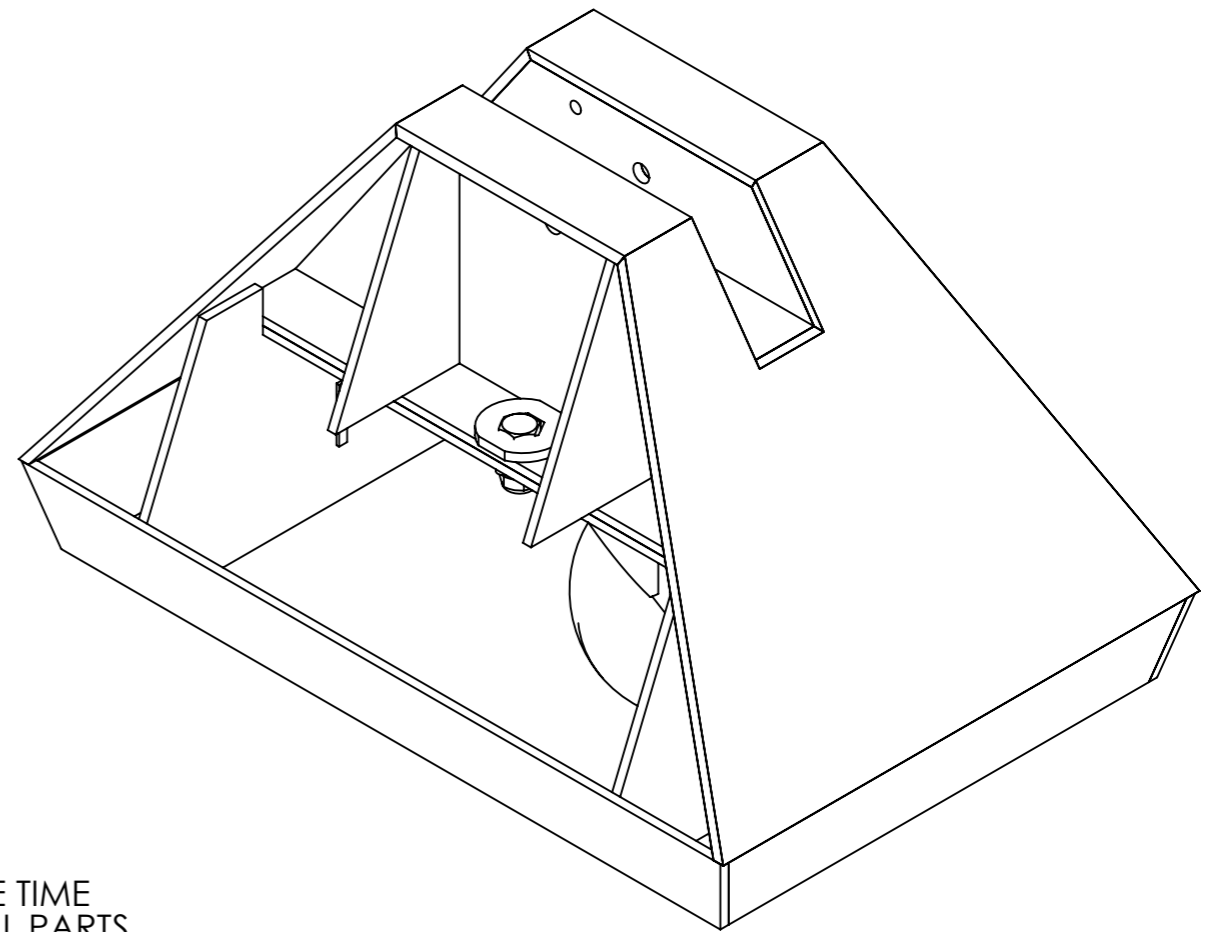
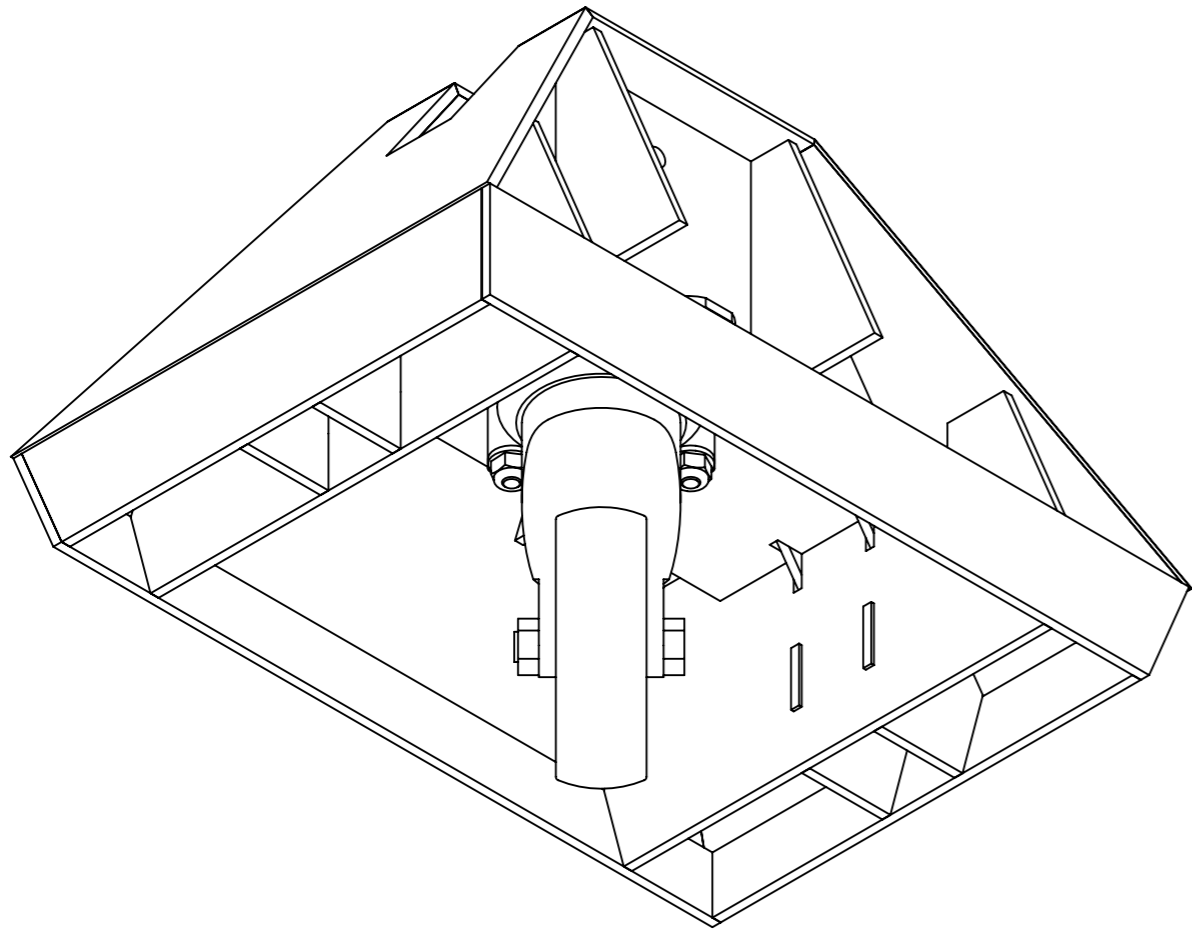




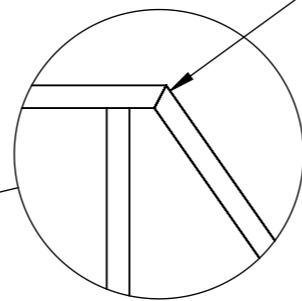
4off POSITION NOT CRITICAL
MAY NEED TO MOVE DEPENDING
ON THE CASTOR YOU ARE USING



BRING IT TOGETHER

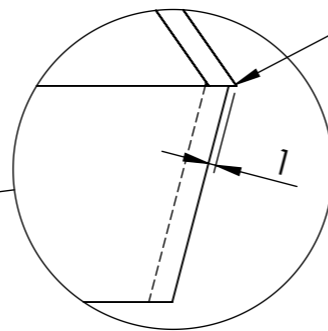


SPEND SOME TIME
TO SHAPE ALL PARTS
PROPERLY

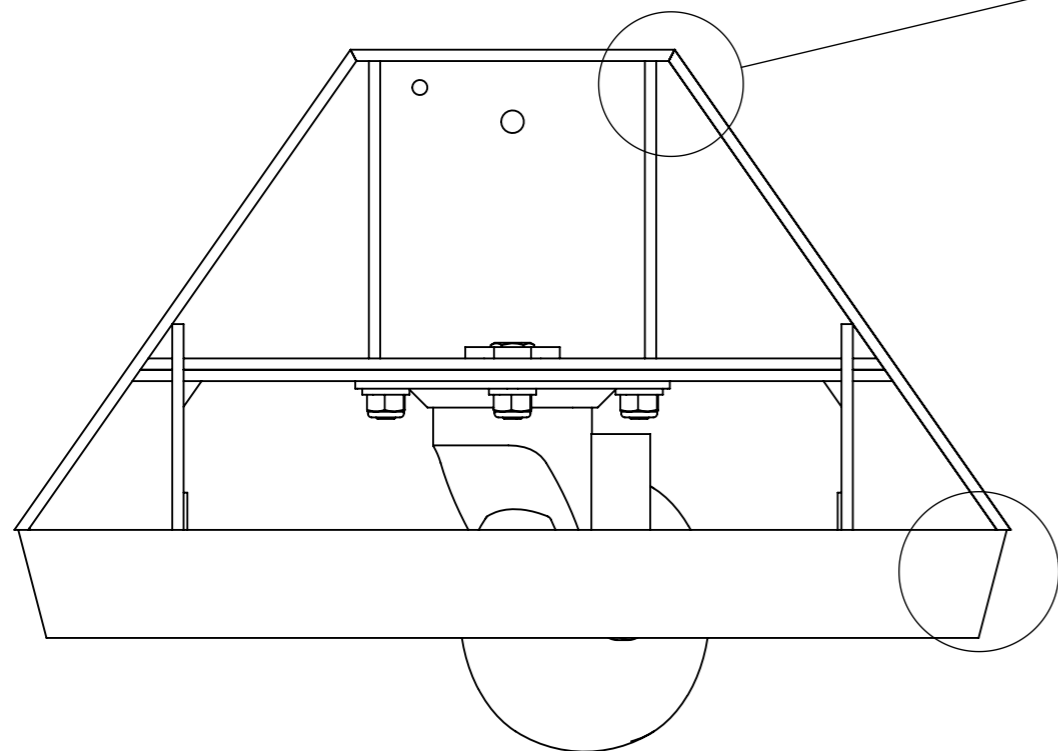


DETAIL B
SCALE 1 : 1

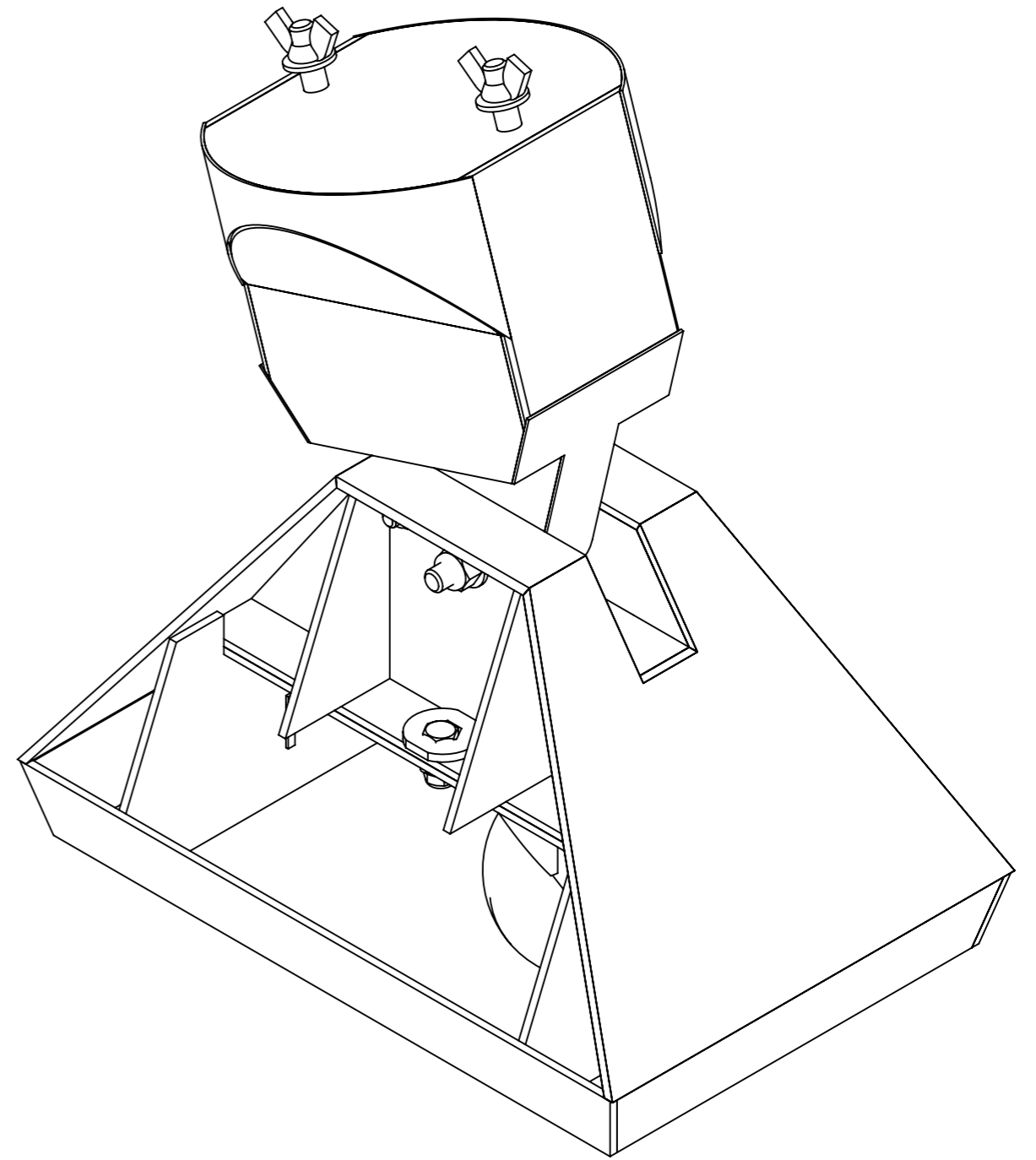
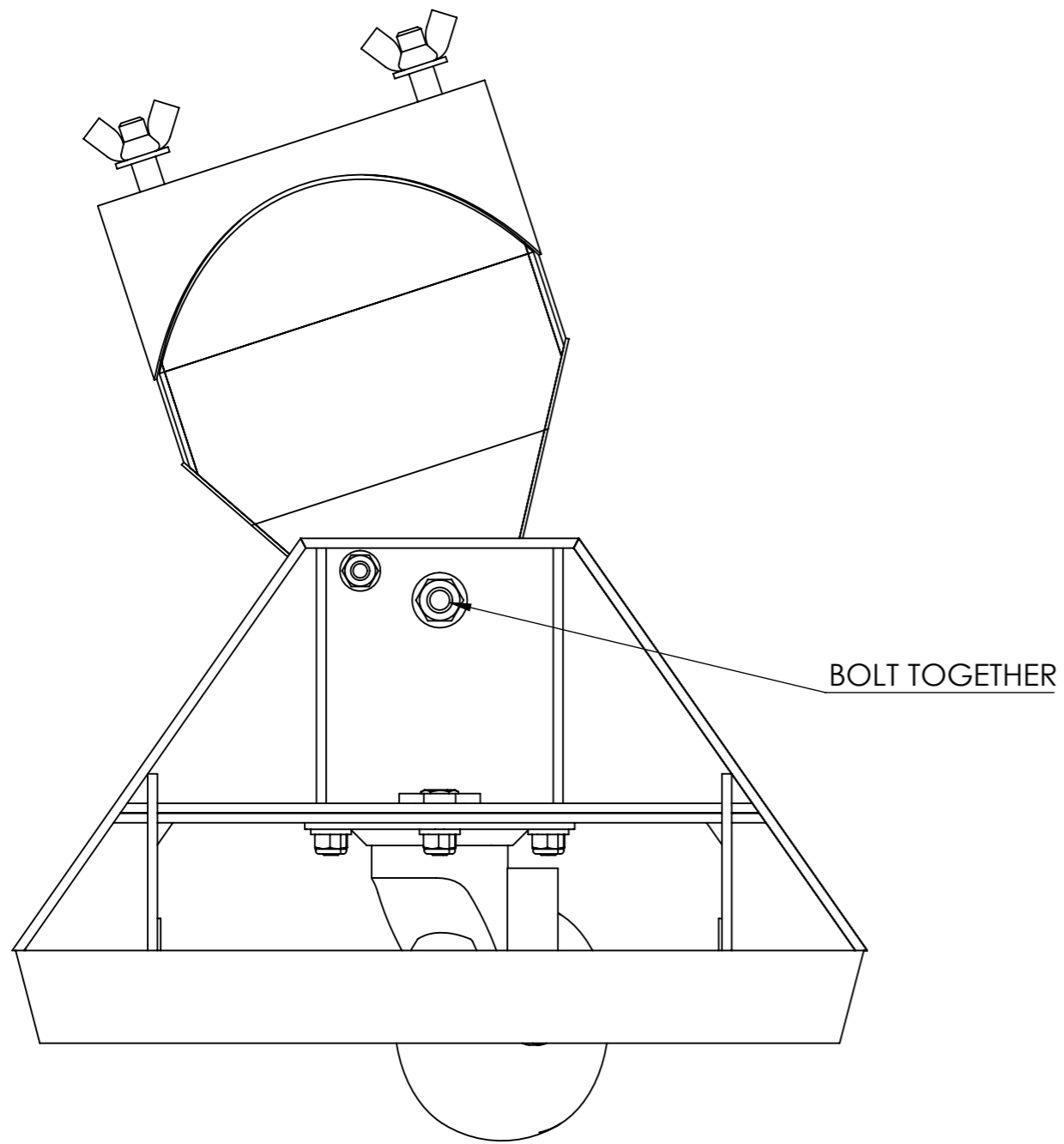
STEP FRONT / BACK
ONLY (NOT SIDES)



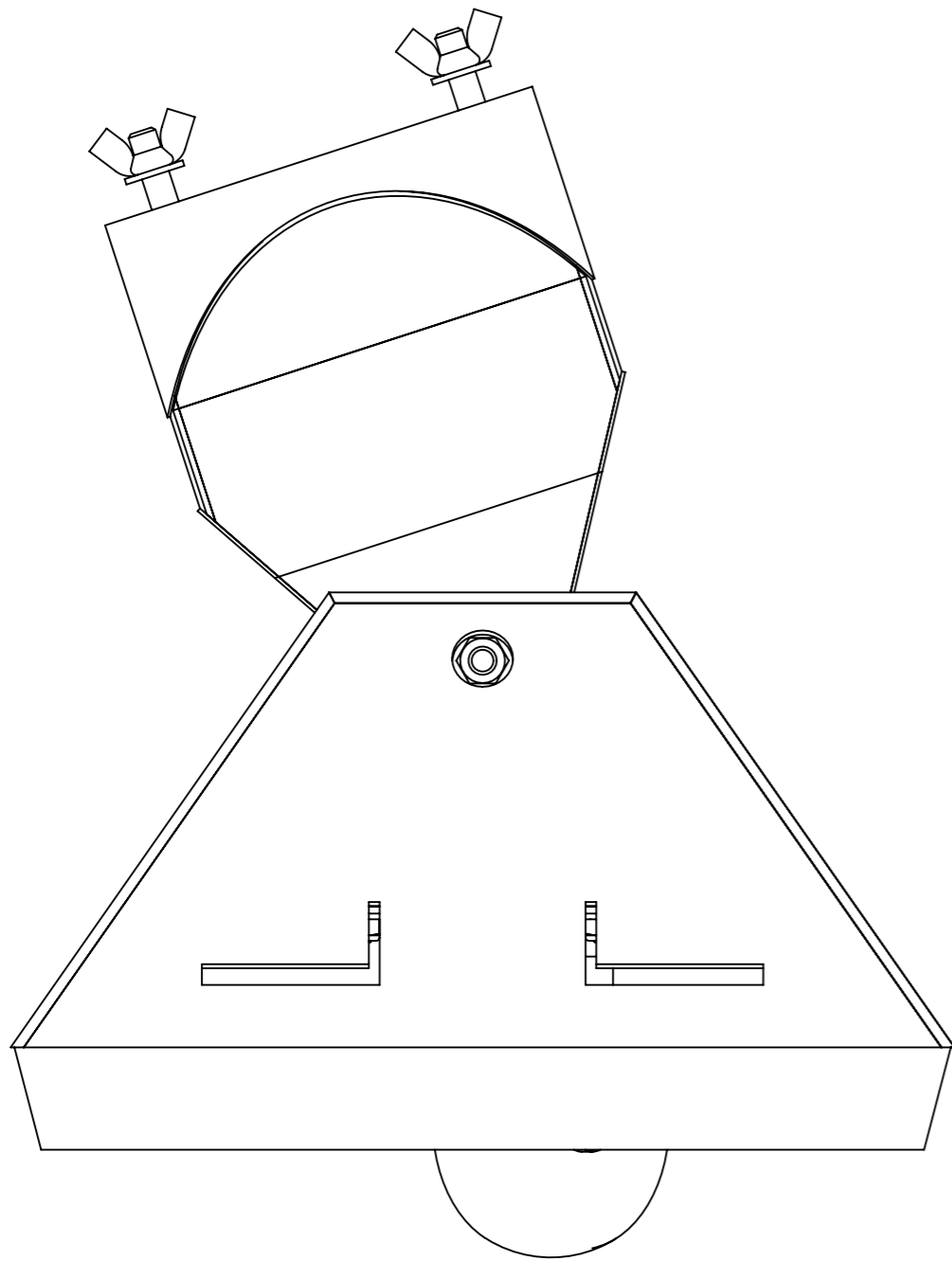
DETAIL A
SCALE 1 : 1



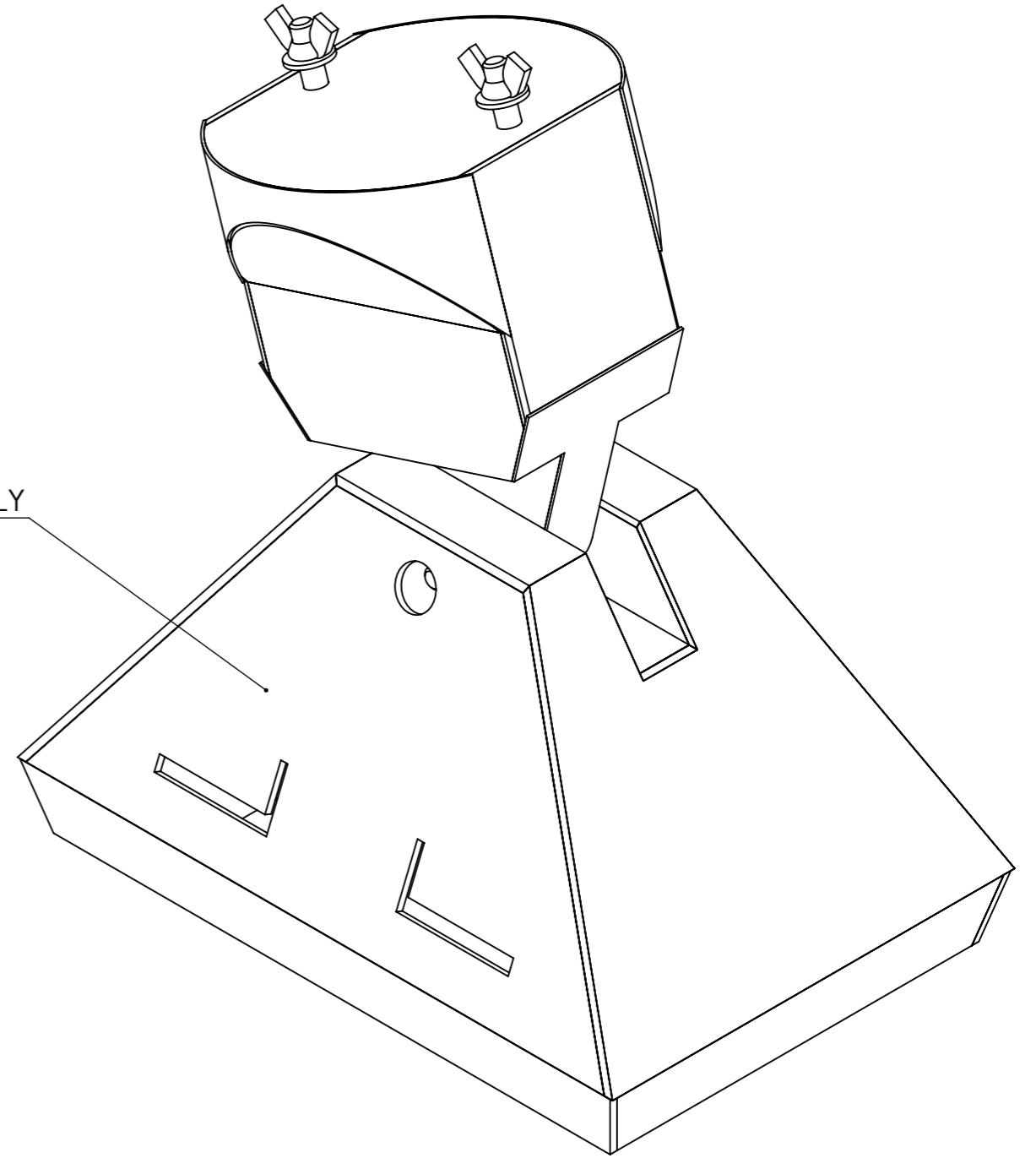
BRING IT TOGETHER



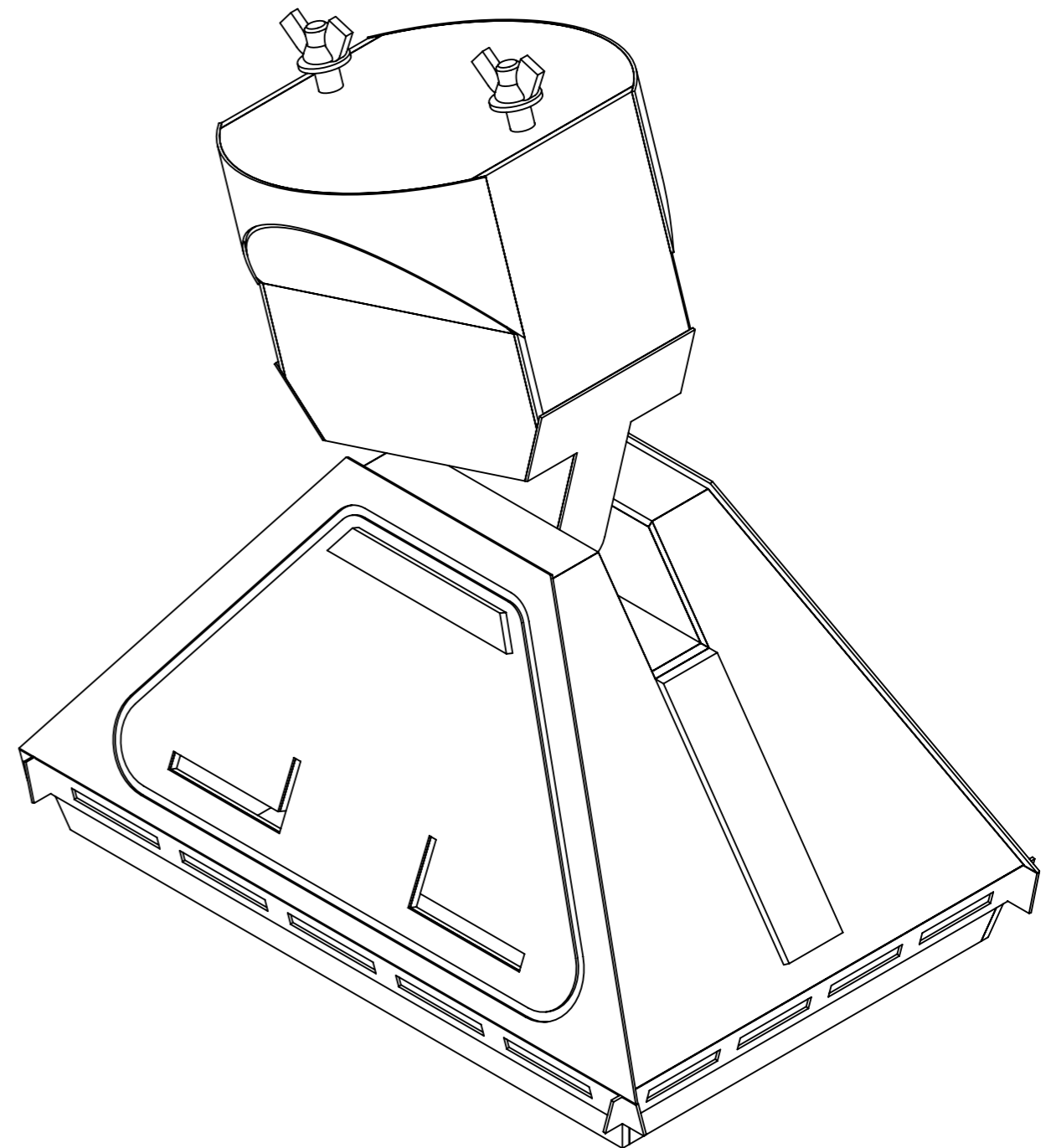
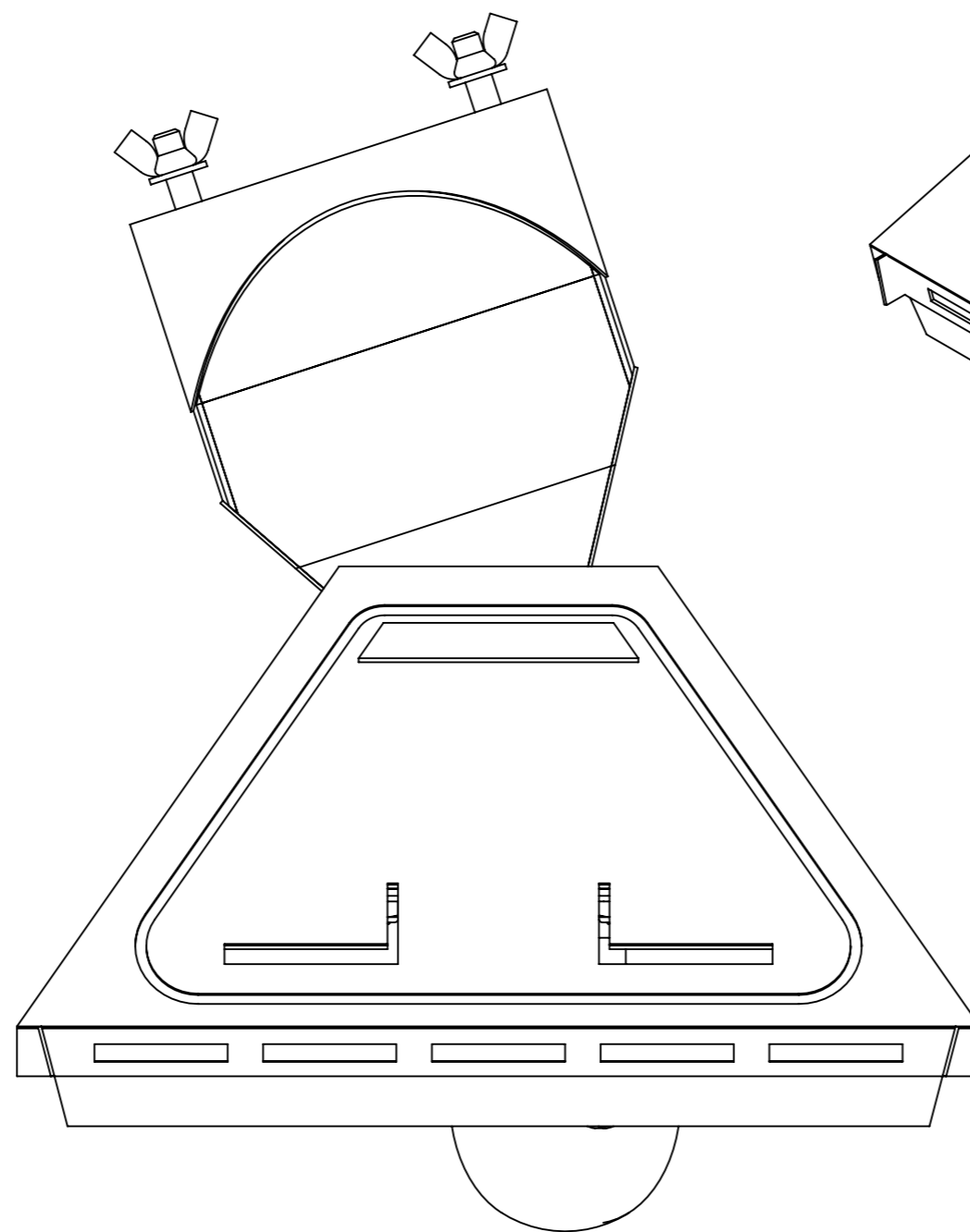
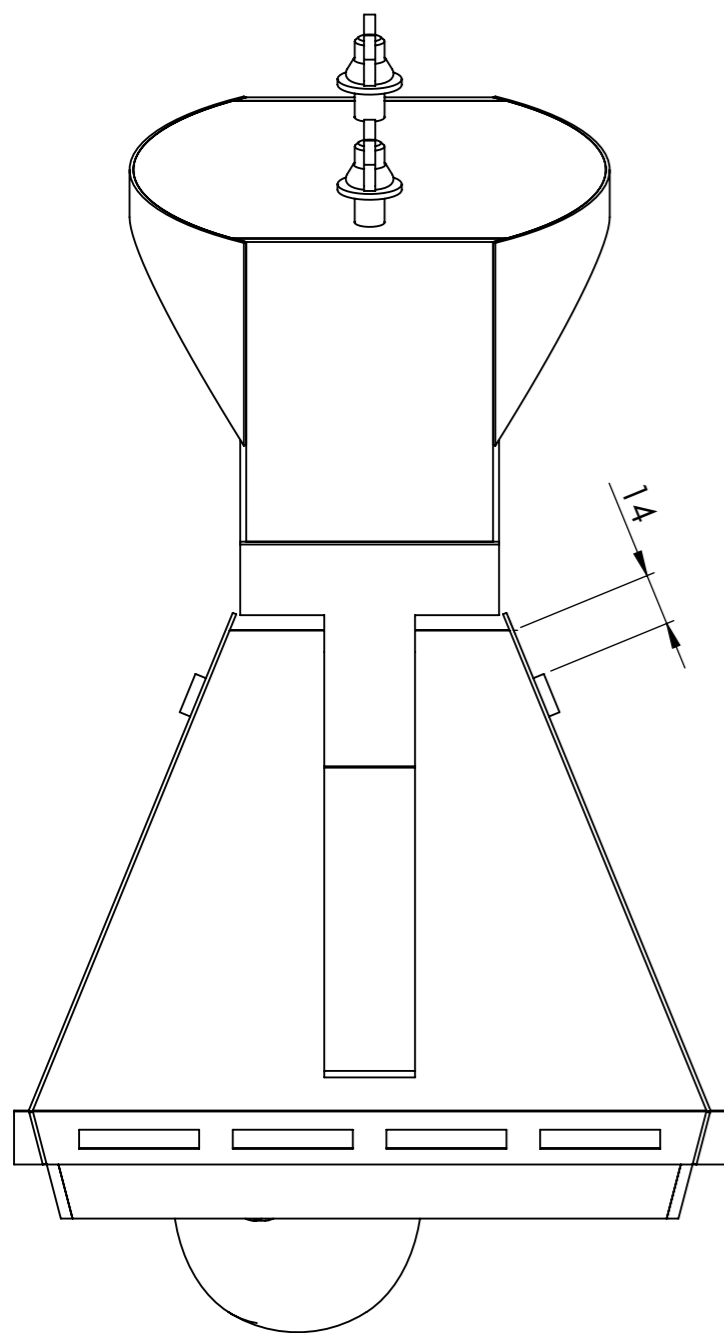
BRING IT TOGETHER



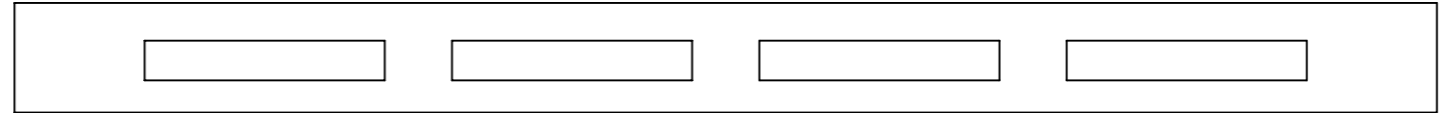
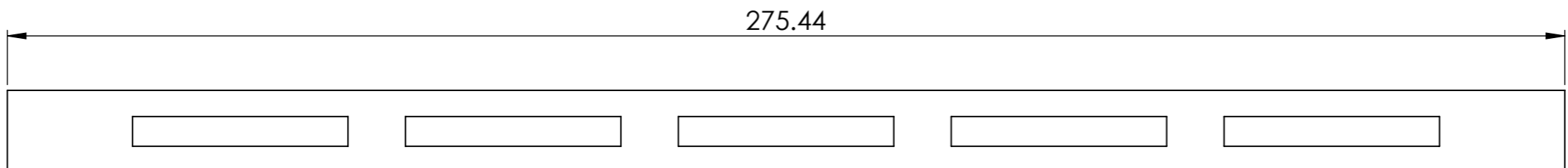
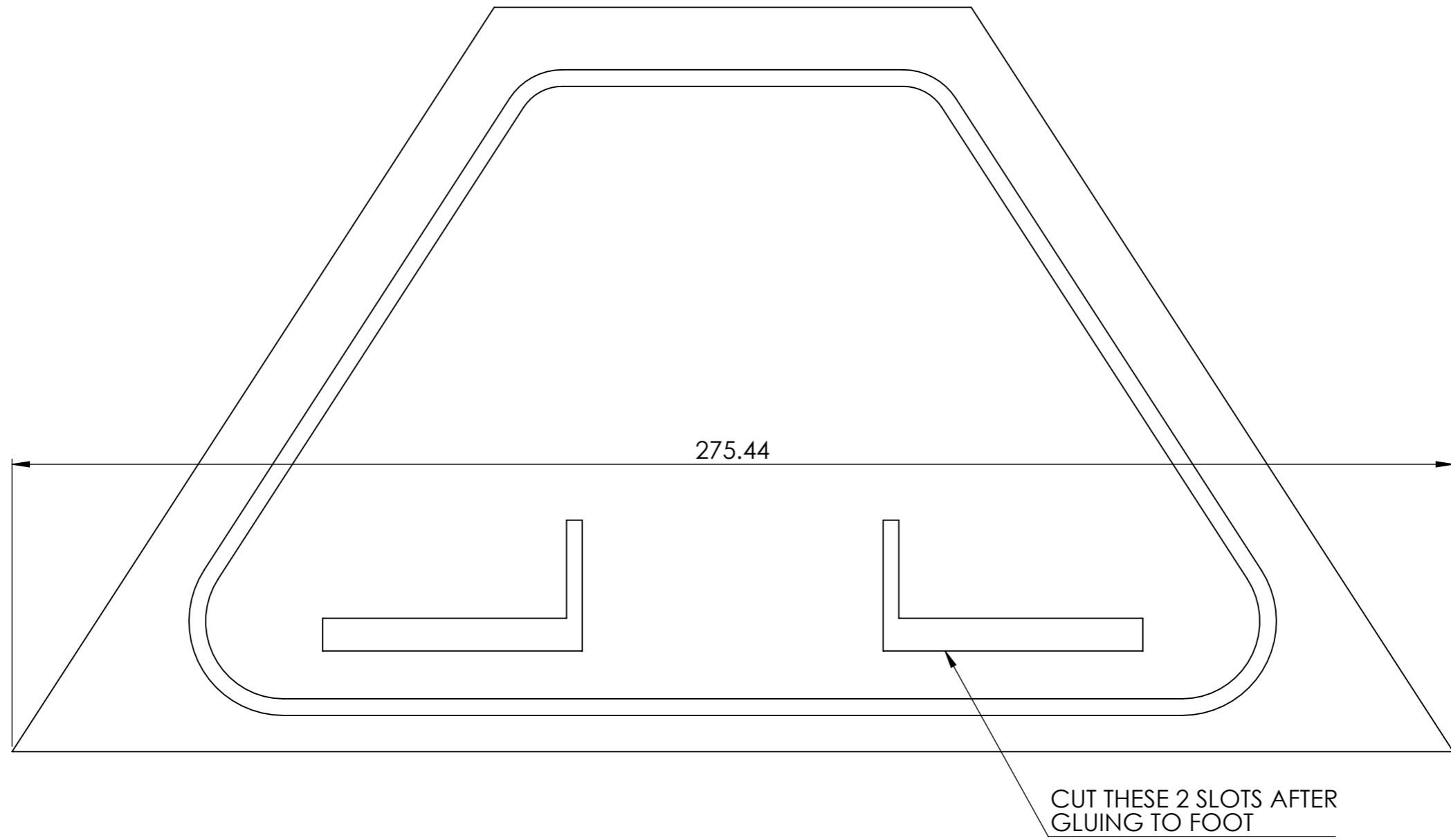
SIDE PLATE
SPEND SOME TIME
TO SHAPING PROPERLY



BRING IT TOGETHER



SKIN IT UP !



2 OF EACH REQUIRED