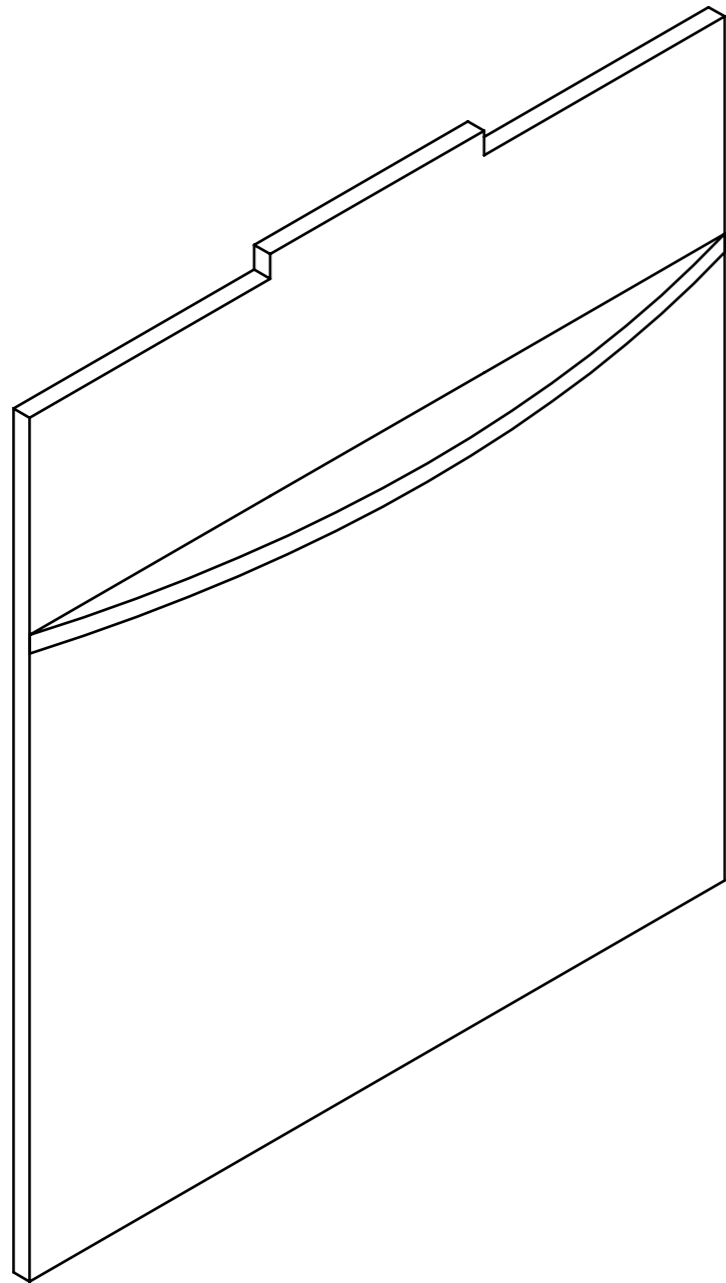


BEFORE STARTING BODY, YOU NEED TO HAVE FINISHED:-

- ARM BOX ASSEMBLY
- FRONT VENT
- SKIRT (BUT THIS CAN WAIT)

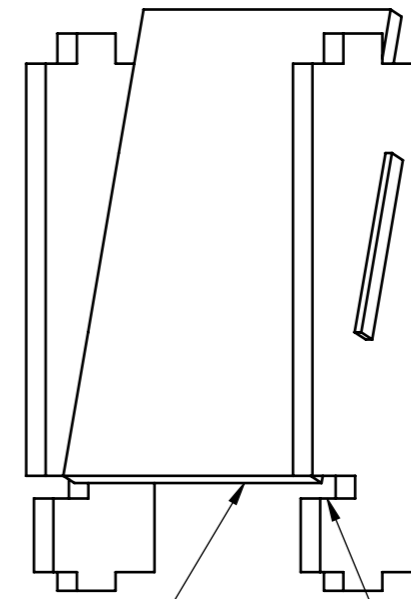
THIS IS WERE THE eDRAWING VIWER REALLY COMES IN HANDY !

These instructions are only a guide !!  
There are many versions of "R2" style units  
The builder is ultimatly respncible for there build  
It is expected that builders have an understanding of  
use of tools and reading of drawings and common sence



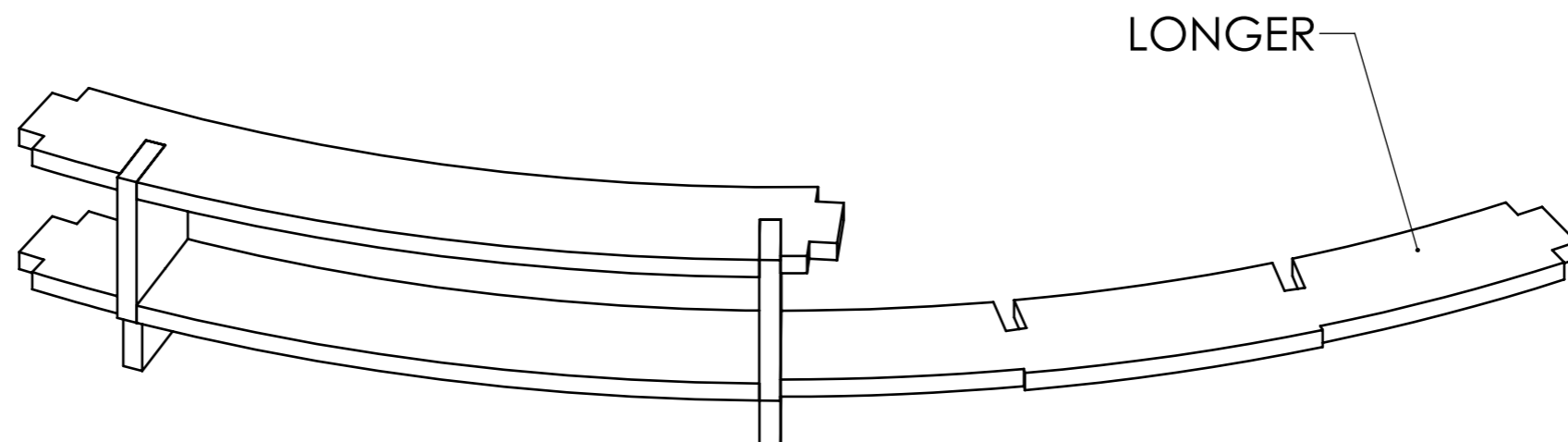
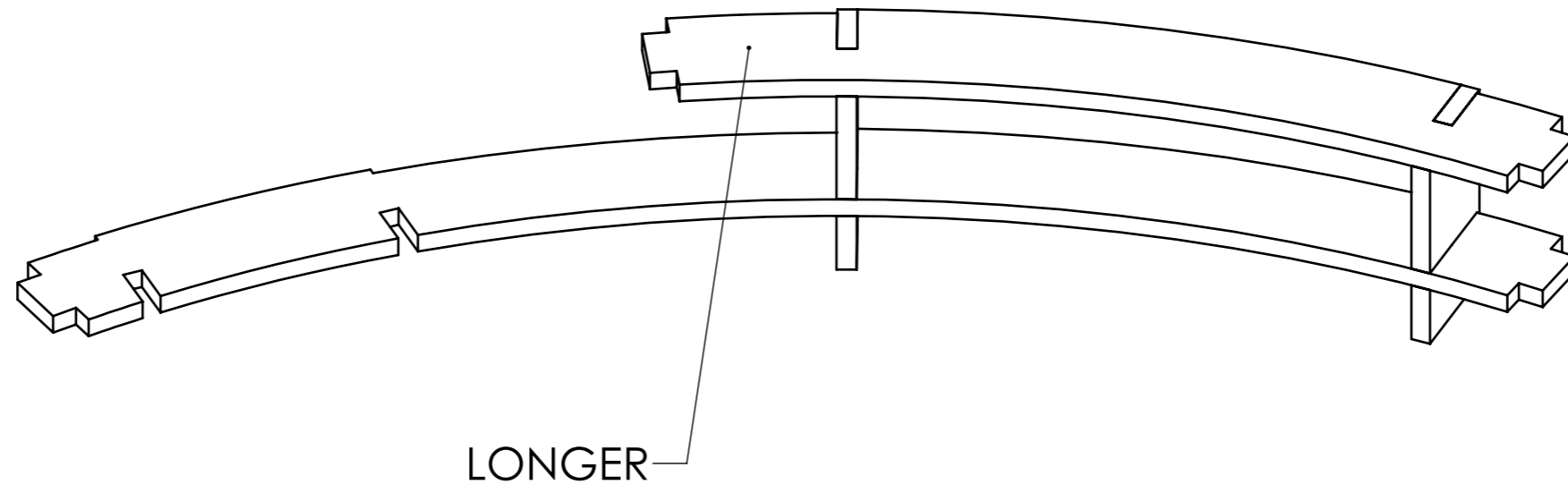
2 of THESE  
GLUED

REMOVE THIS EDGE BEFORE GLUING  
MAKE FLUSH WITH TOP OF SIDE NOTCH

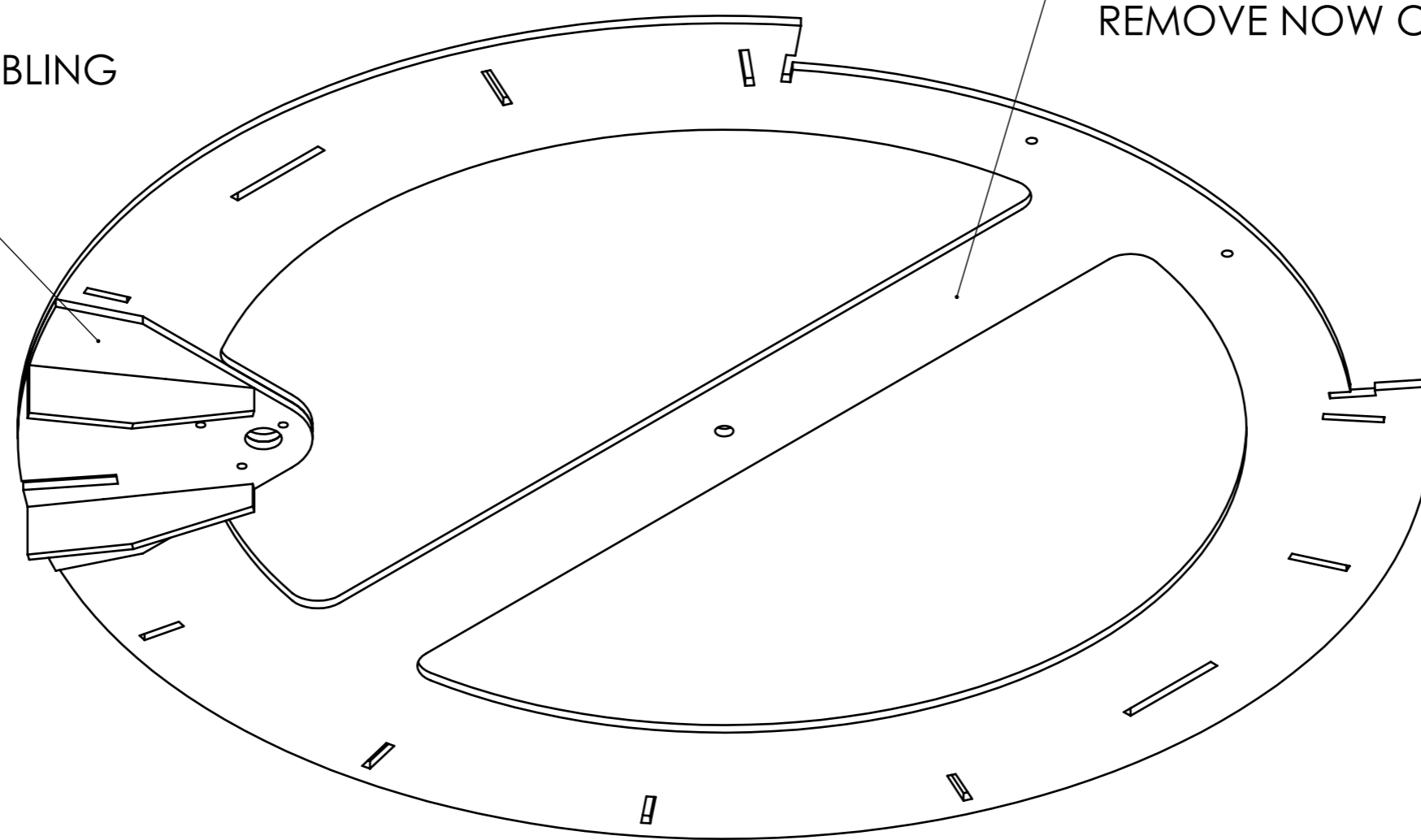


SIDE NOTCH

3 of THESE  
GLUED



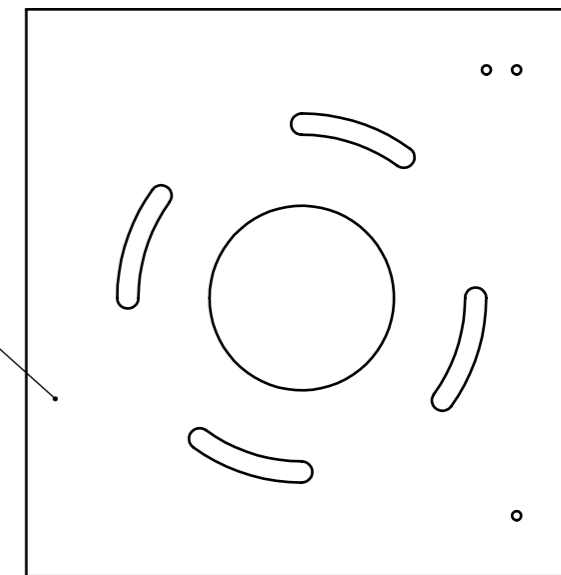
DOMe MOTOR DOUBLING  
PL AND RIBS



THIS CROSS-BIT IS OPTIONAL  
PERSONAL PREFERENCE  
REMOVE NOW OR LATER IF REQUIRED

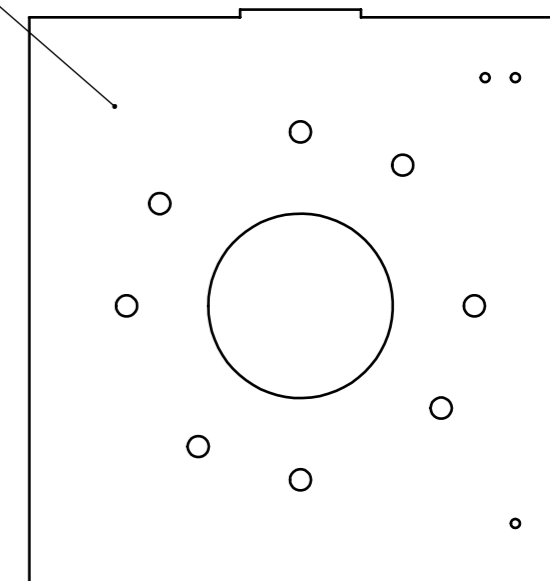
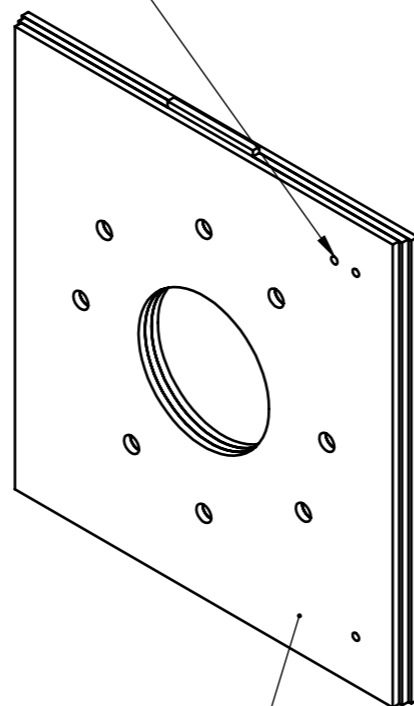
HOLES JUST INDICATOR FOR FRONT - TOP

BODY - SHOULDER PL

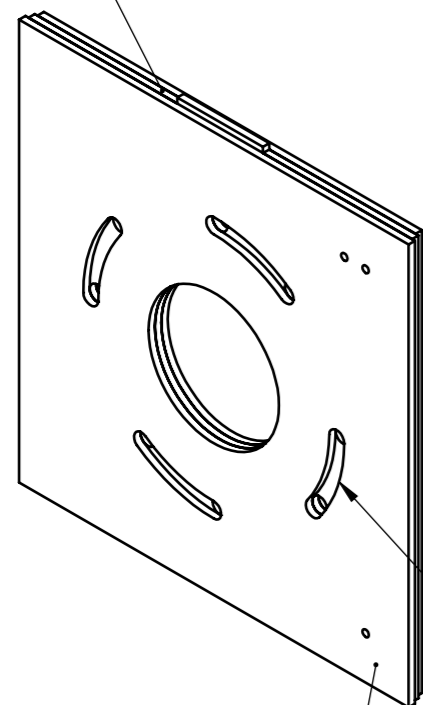


BODY - SHOULDER PL - CENTRE

BODY - SHOULDER PL - CENTRE

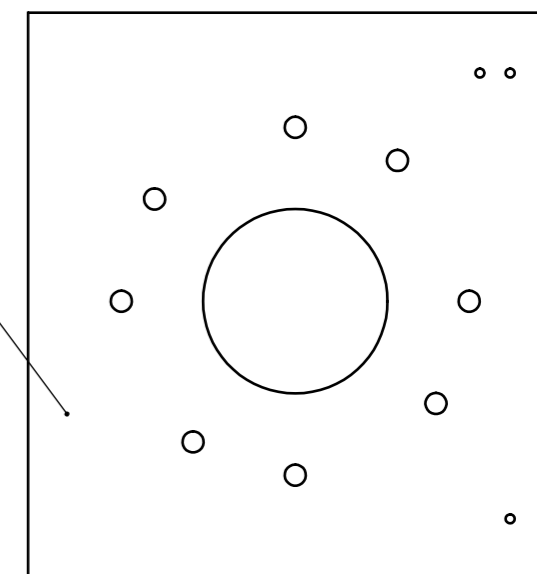


BODY - SHOULDER PL - INNER



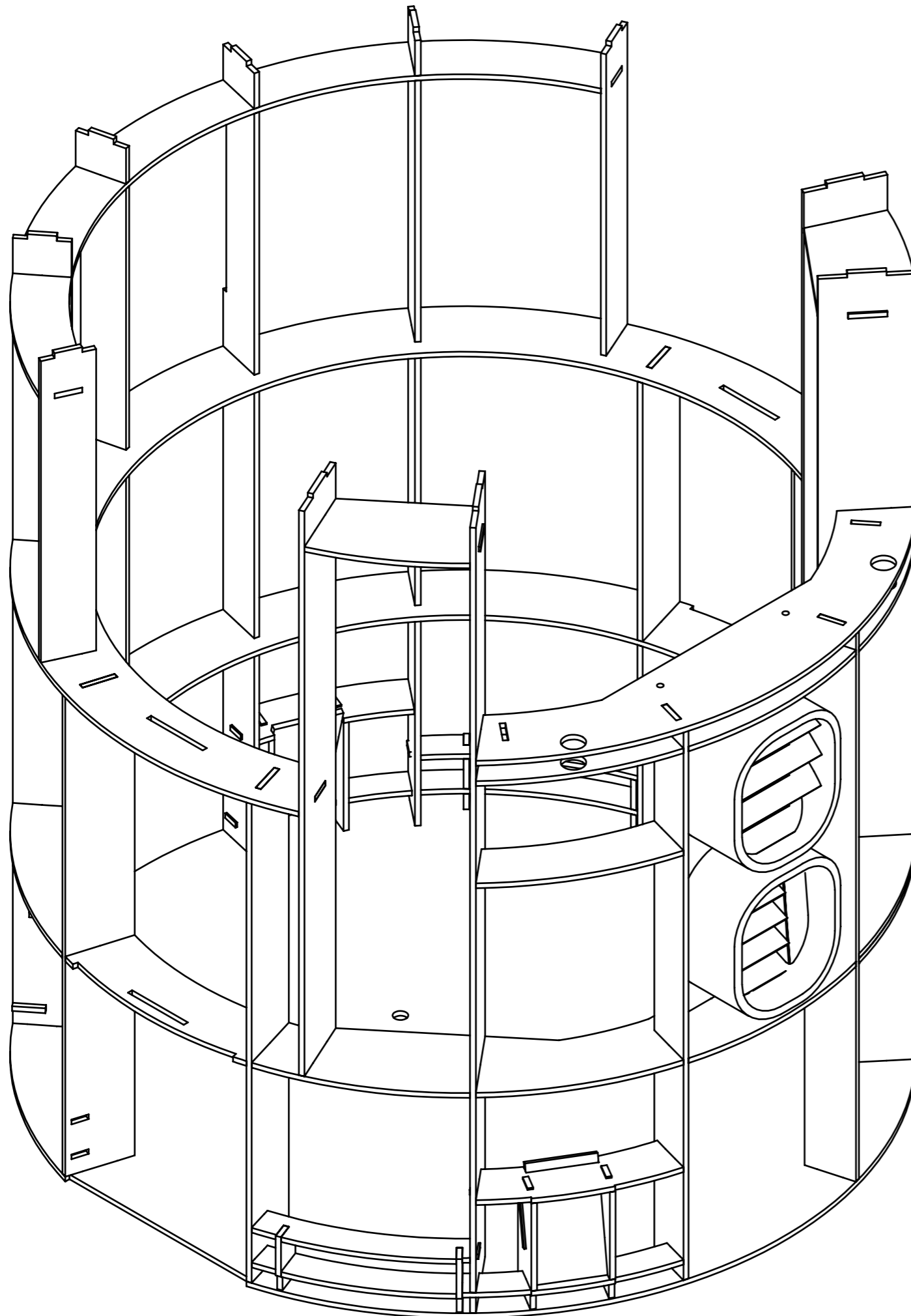
SLOT IS FOR GUIDE OPTION TO CUT-OUT SHOULDER SLOT

BODY - SHOULDER PL - INNER



BODY - SHOULDER PL

HOWEVER, LEG NUTS ALWAYS SLIP, SO PERSONALLY NOT RECOMMENDED

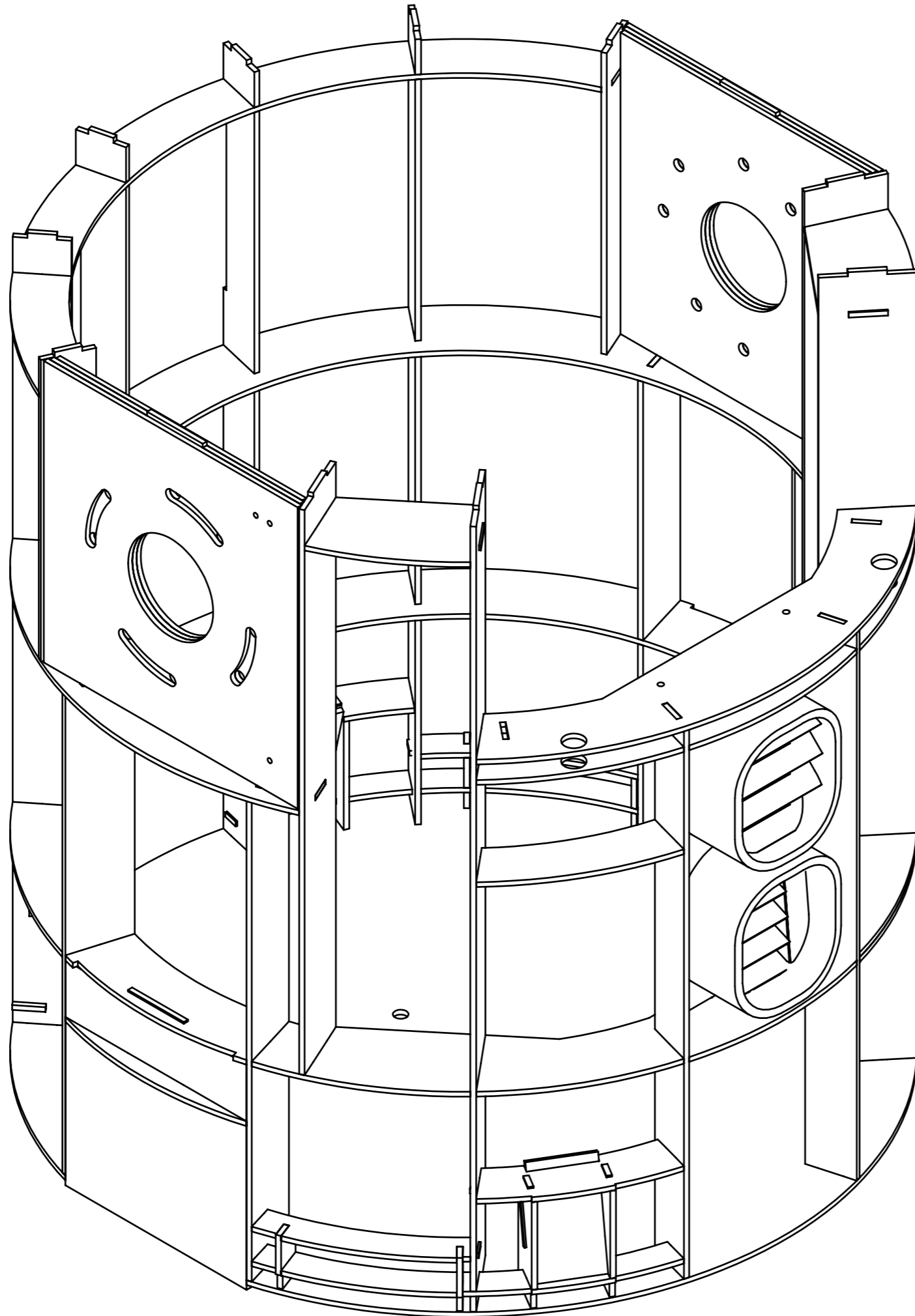


YOUR ON YOUR OWN HERE....  
USING THE BASE AS A GUIDE, BUILD-UP  
THE BODY. YOU WILL FIND THAT YOU NEED TO  
KEEP "WORKING" THE BITS INTO POSITION  
FIDDLEY, BUT YOU'LL GET THERE

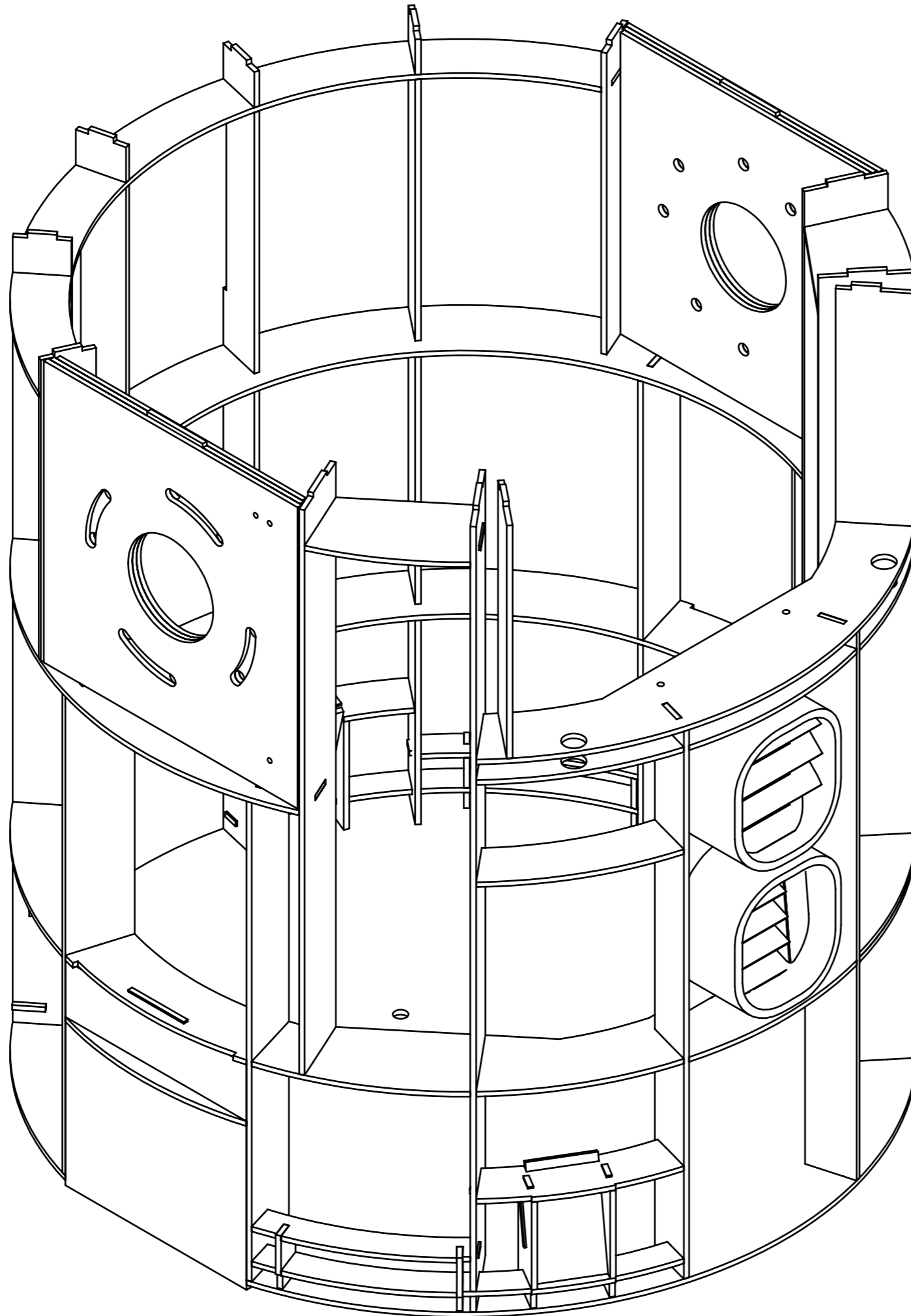
THIS IS ALSO WHAT HELPS WITH THE STRENGTH  
(IT DOESNT EASILY FALL APART!)

**!! DO NOT GLUE JUST YET !!**

THIS IS WERE THE eDRAWING VIWER  
REALLY COMES IN HANDY !

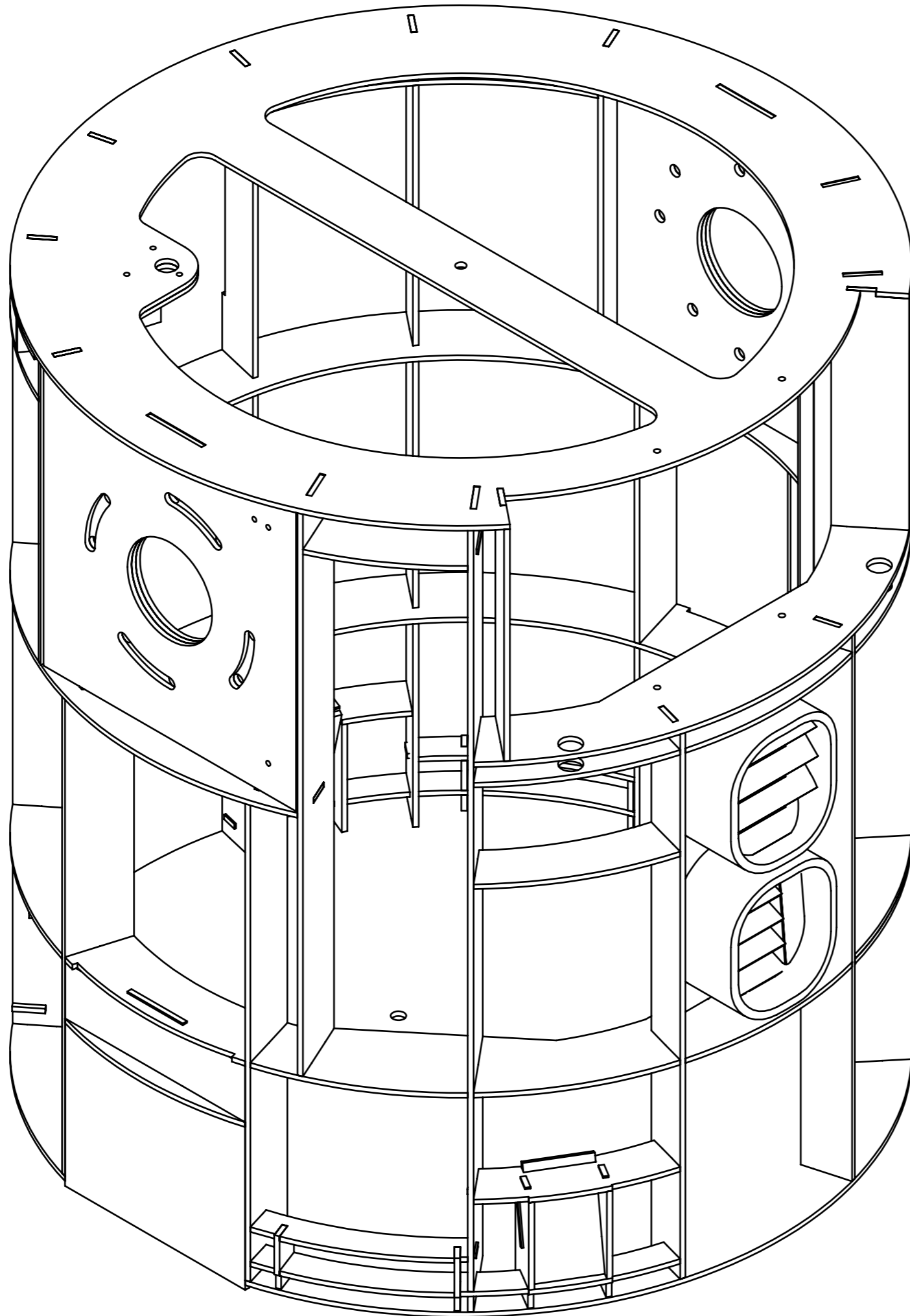


!! DO NOT GLUE JUST YET !!

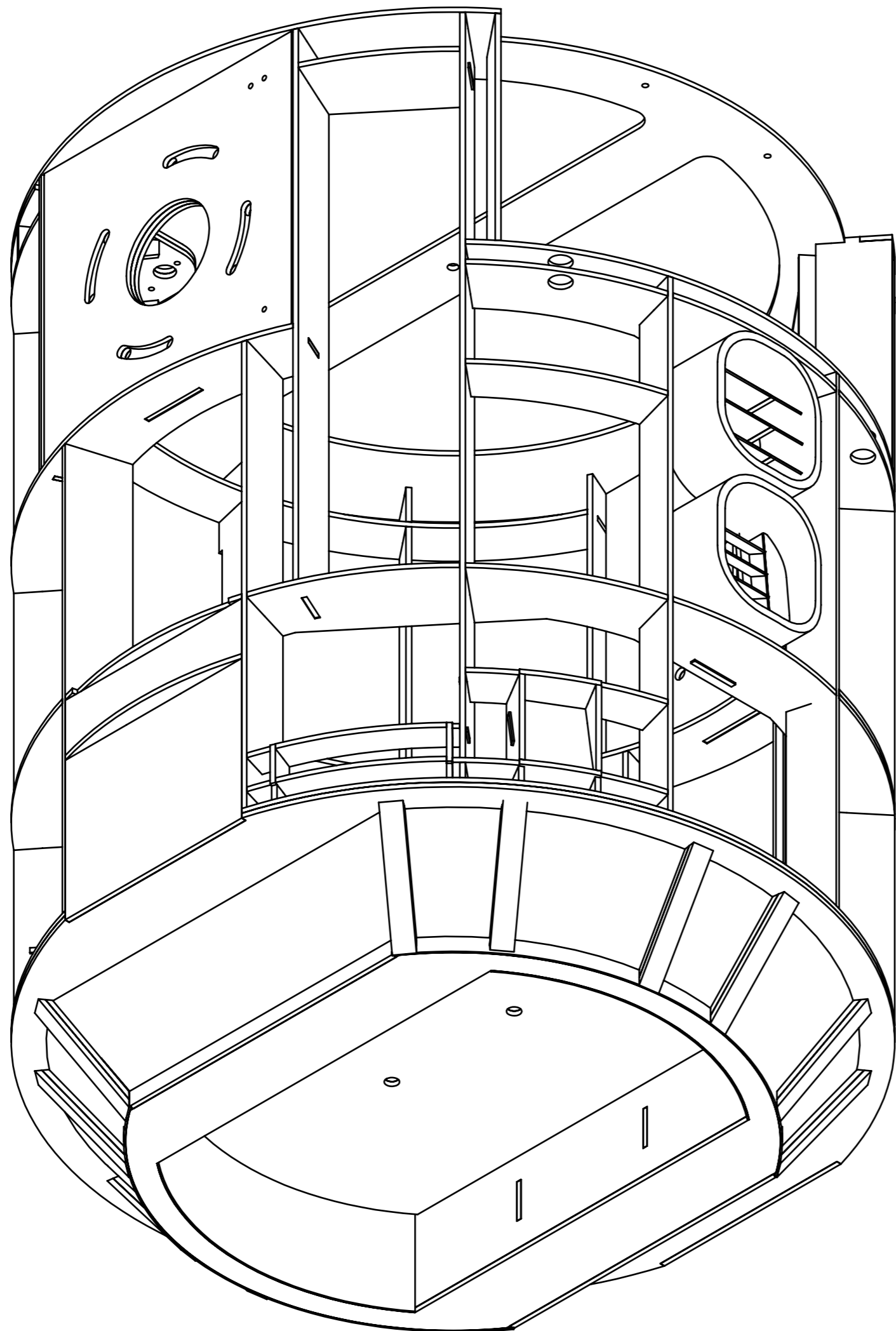


!! DO NOT GLUE JUST YET !!





!! NOW GLUE !!



GLUE ON SKIRT