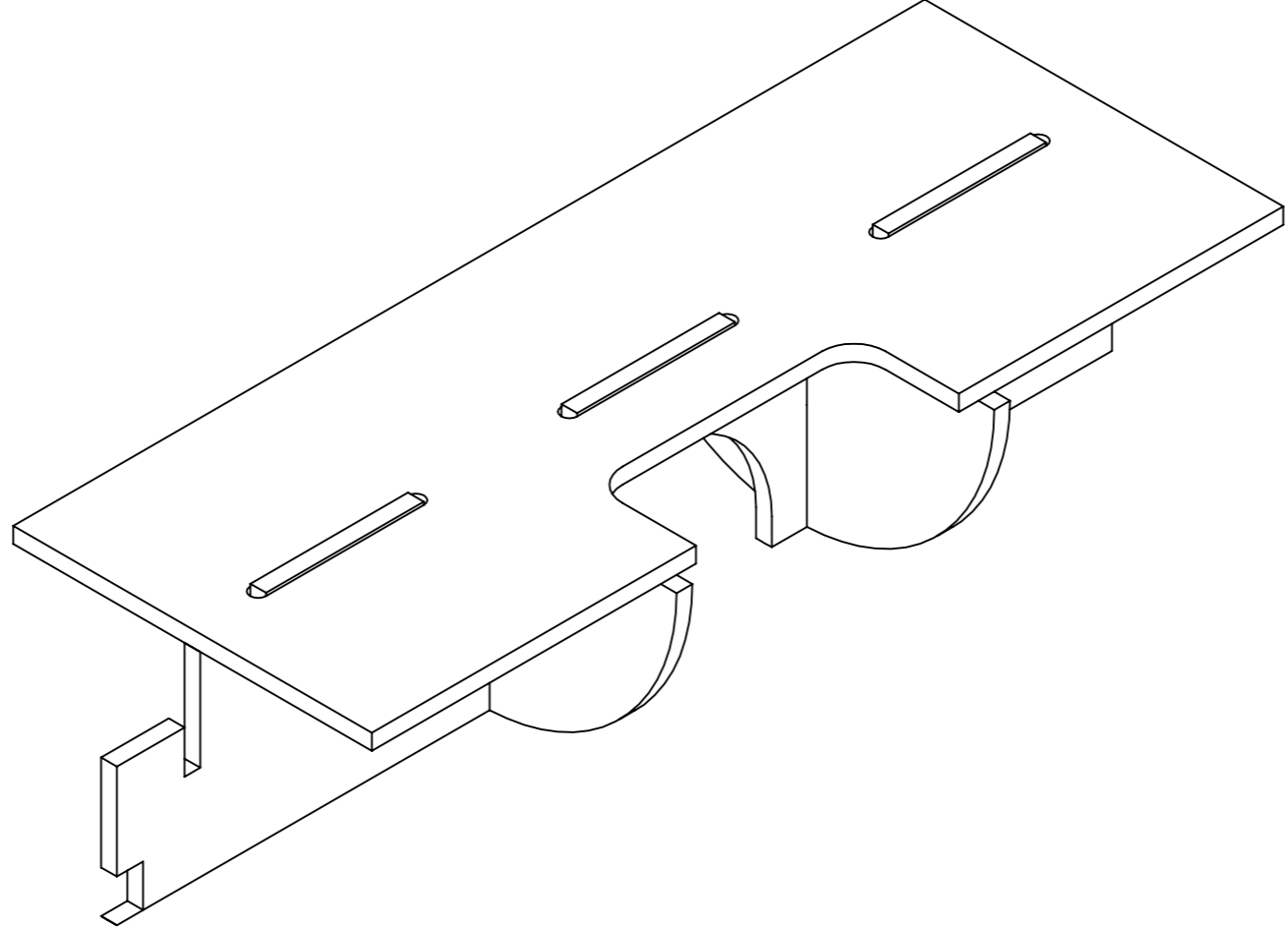
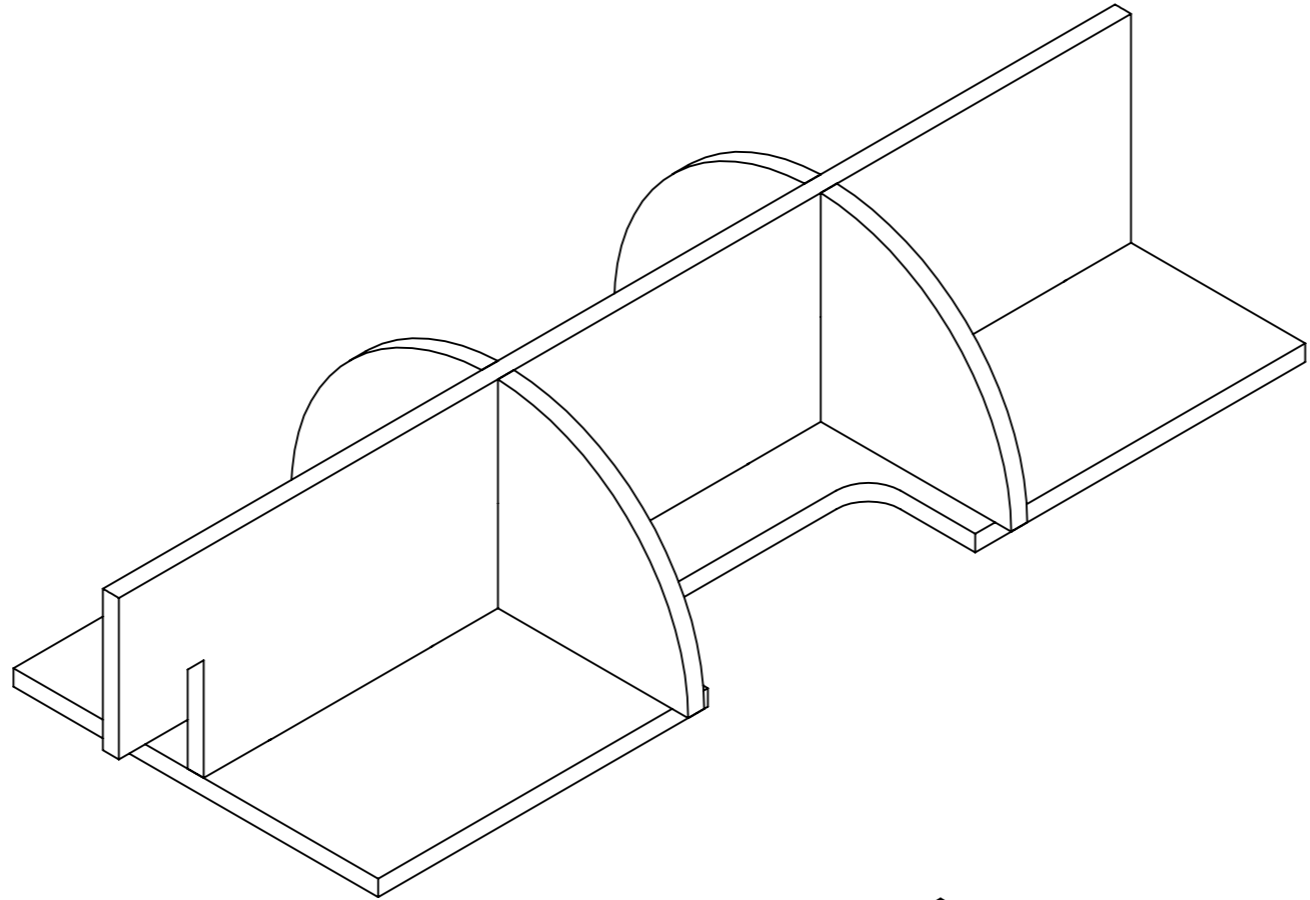


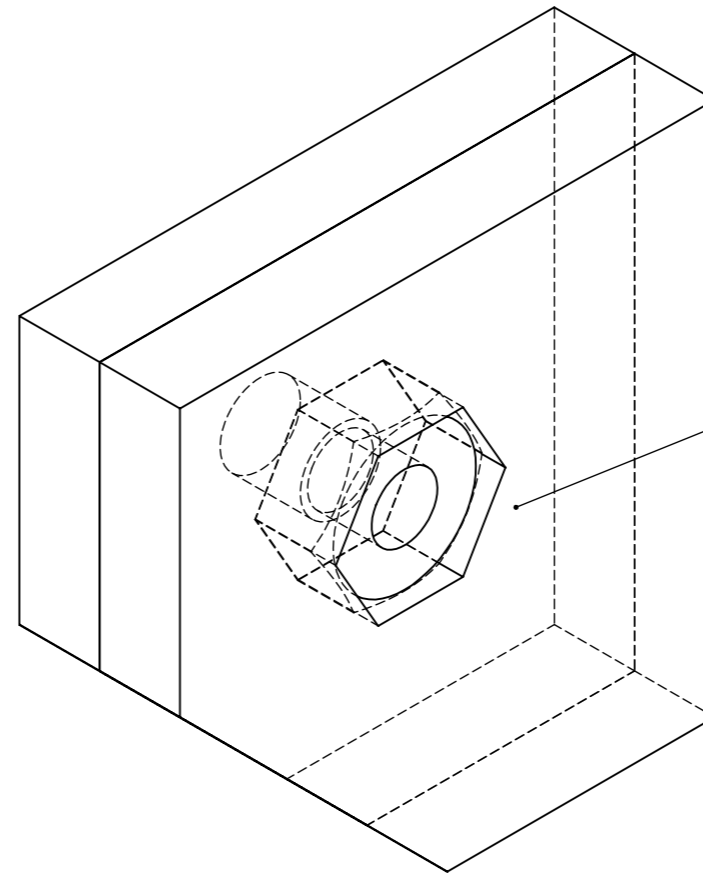
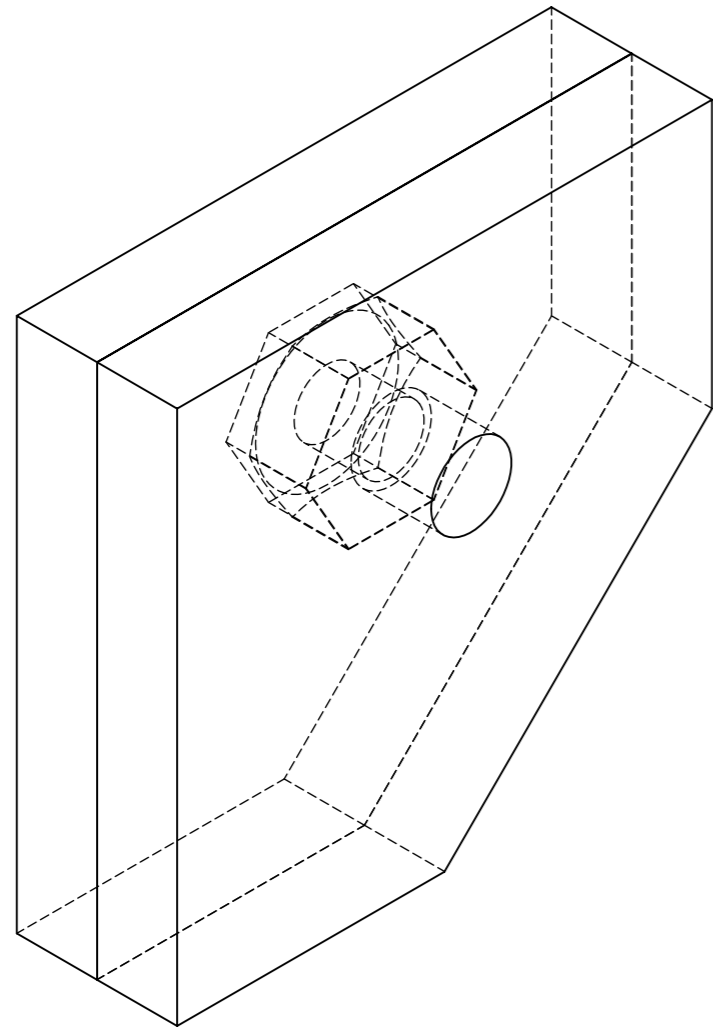
ITEM NO.	DESCRIPTION	Default/ QTY.
1	BATTERY - SIDE	1
2	BATTERY - SIDE	1
3	BATTERY - TOP	2
4	BATTERY - END	1
5	BATTERY - END - FRONT	1
6	BATTERY - TOP RIB	1
7	BATTERY - TOP RIB	1
8	BATTERY - TOP ARC RIB	4
9	BATTERY - SHELF - NO HOLES	1
10	BATTERY - SHELF	1
11	BATTERY - LANDING	2
12	BATTERY - SKIN	1
13	BATTERY - DOOR	1
14	BATTERY - DOOR CLIP	1
15	BATTERY - DOOR TABS	2
16	BATTERY - DOOR TABS - HOLE	2
17	BATTERY - DOOR TABS - NUT	2
18	ANH VERSION - OPTIONAL	1
19	BITS	
20	Machine Screw Phillips CSK Head M3 x 12	2
21	Hex Nut Plain M3	2
22	BATTERY HARNESS	2
23	OUTER FOOT - HOSE FITTING	2

REQUIRE:
1 off AS DRAWN
1 off OPPOSITE HAND
 (L.H. FOOT BATTERY BOX SHOWN)

OPTIONAL ALUMINUM
 COVER RIVETED IN PLACE
 FOR EP4 VERSION

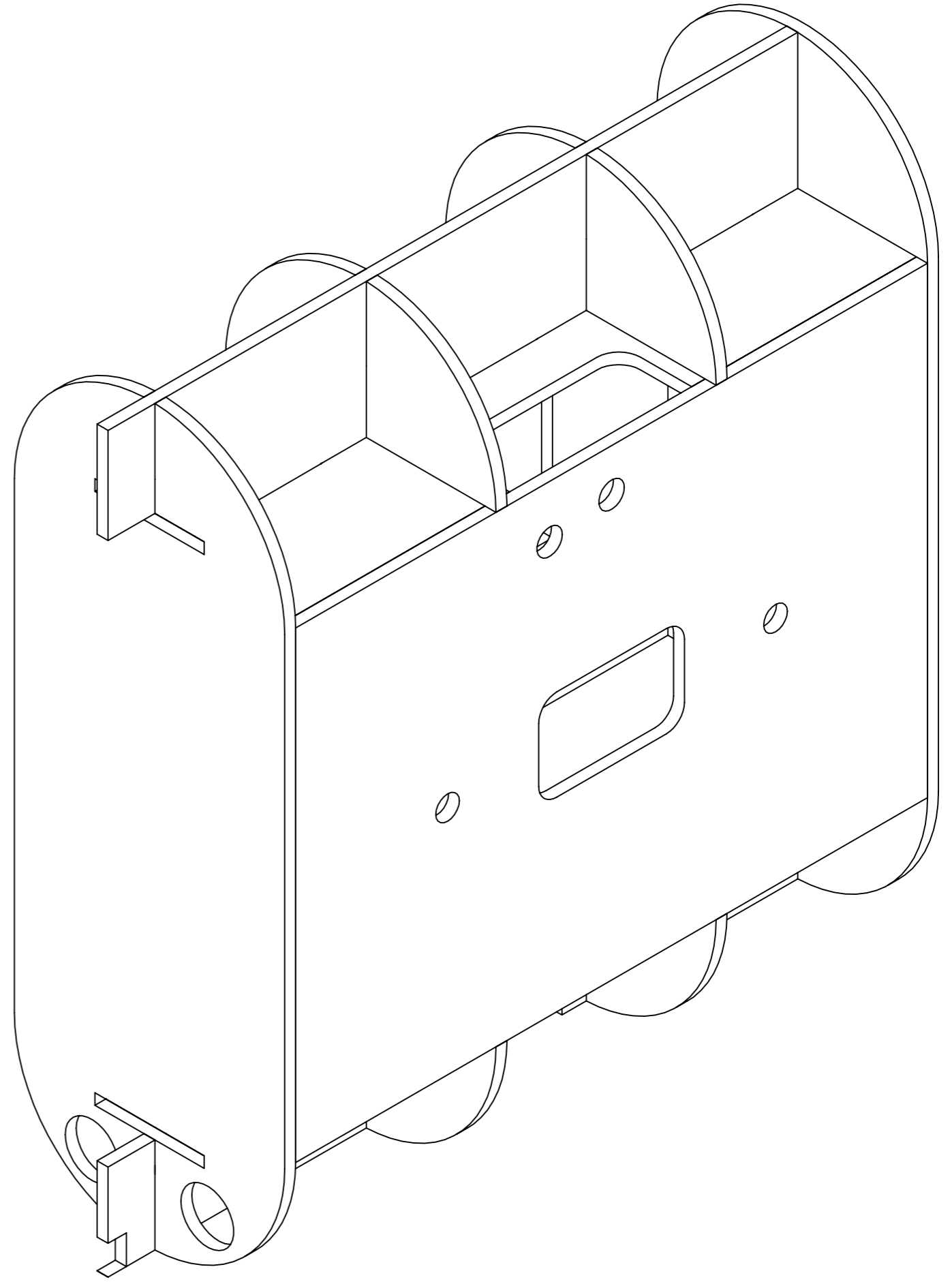
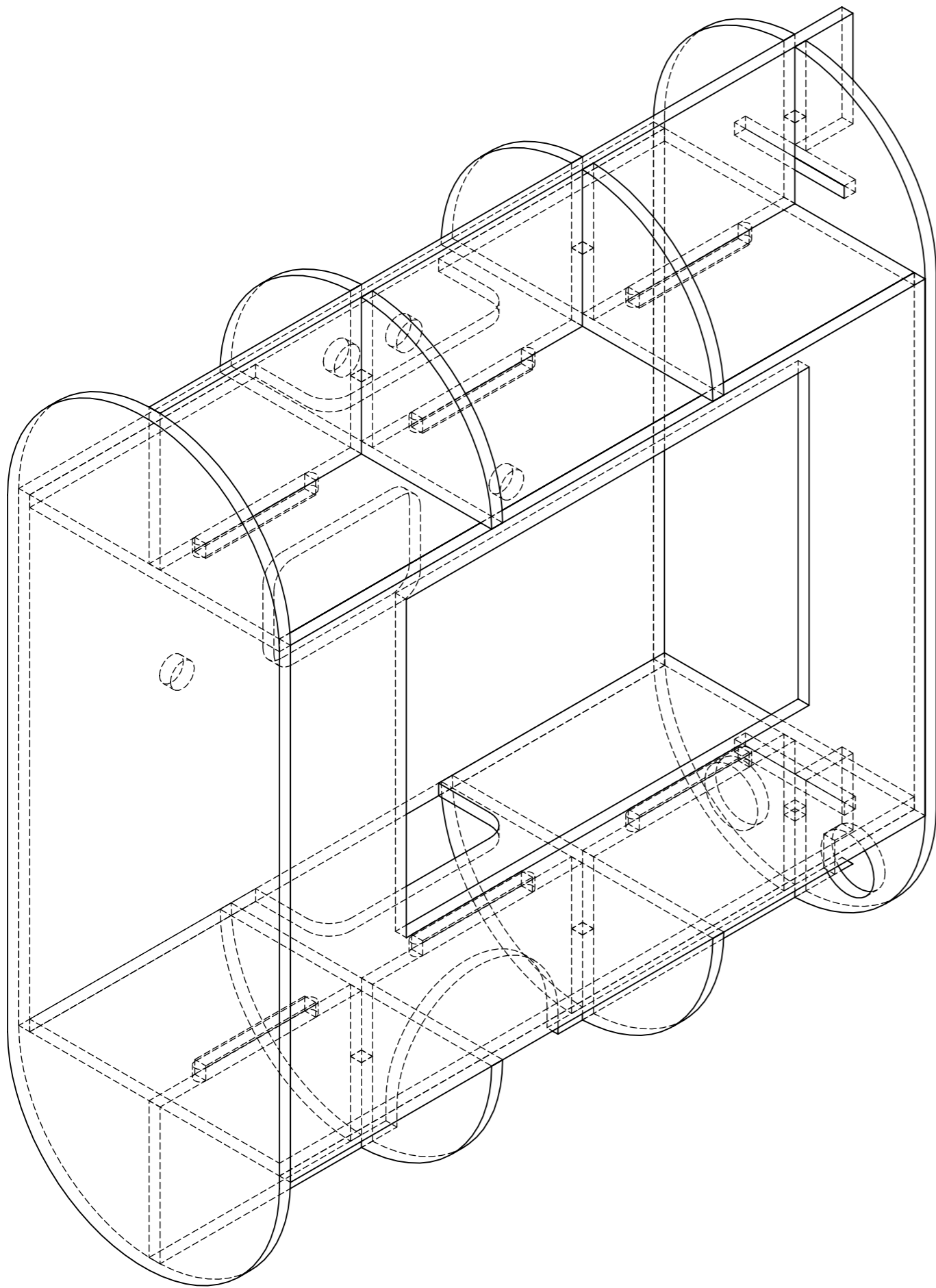
These instructions are only a guide !!
 There are many versions of "R2" style units
 The builder is ultimately responsible for their build
 It is expected that builders have an understanding of
 use of tools and reading of drawings and common sense

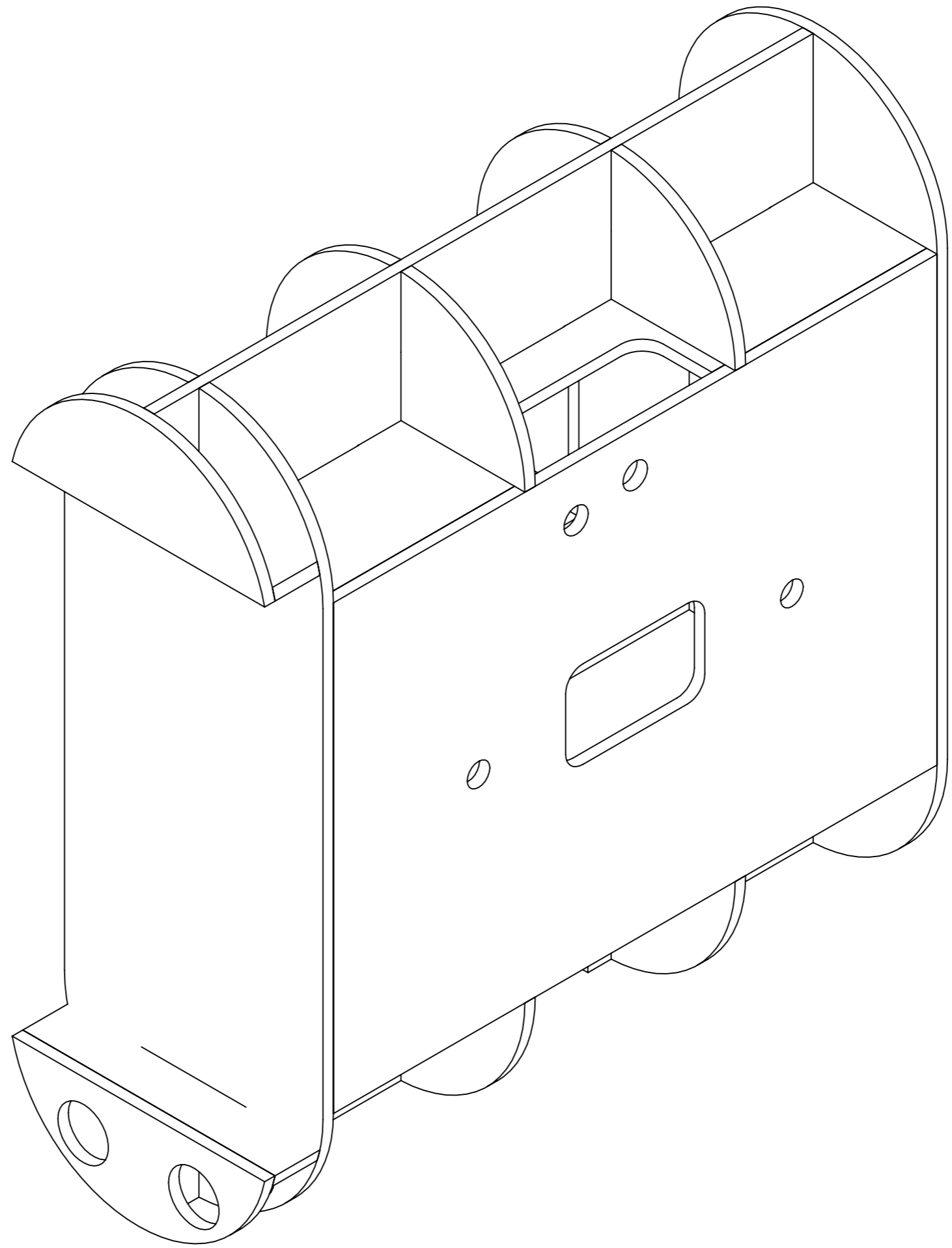


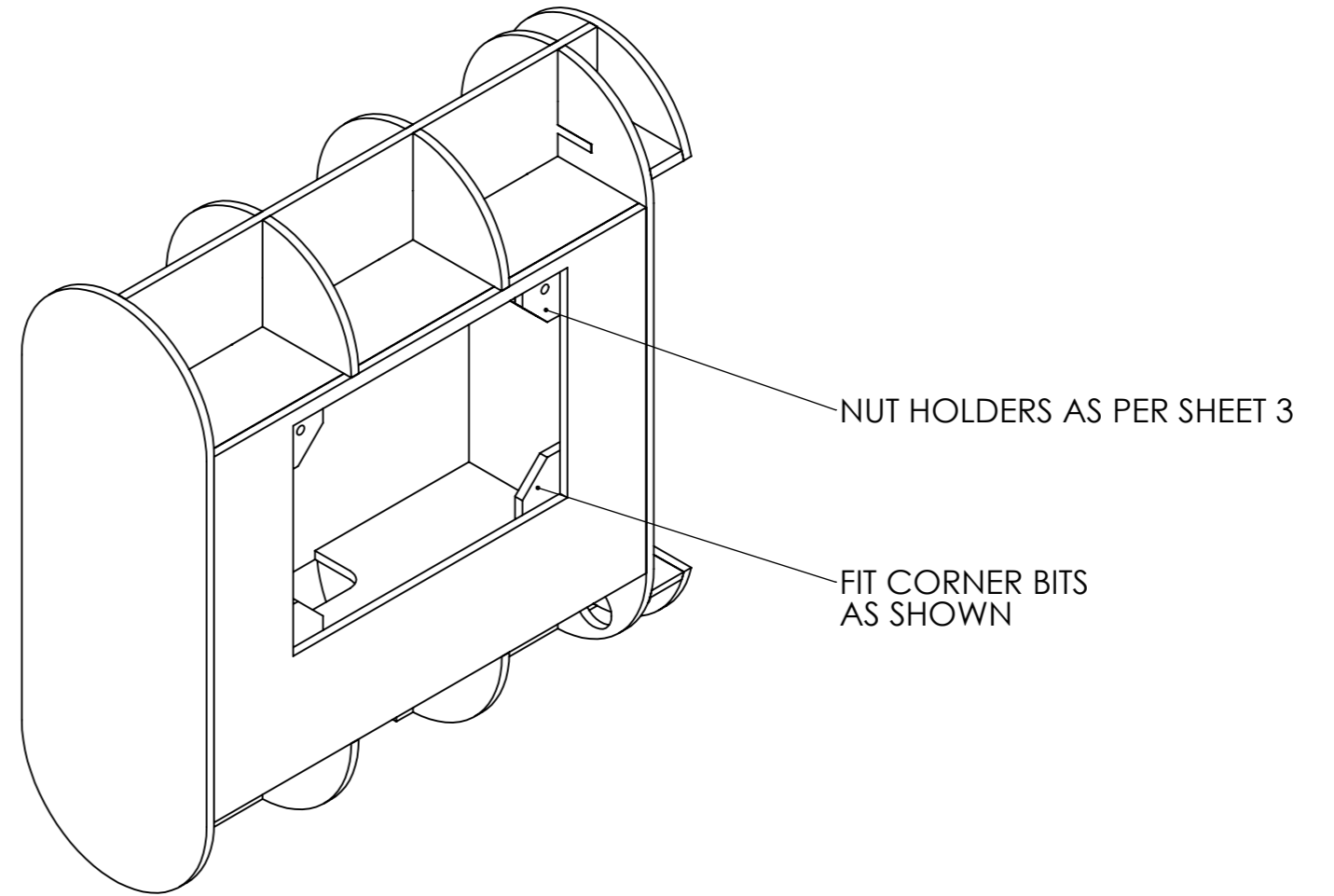
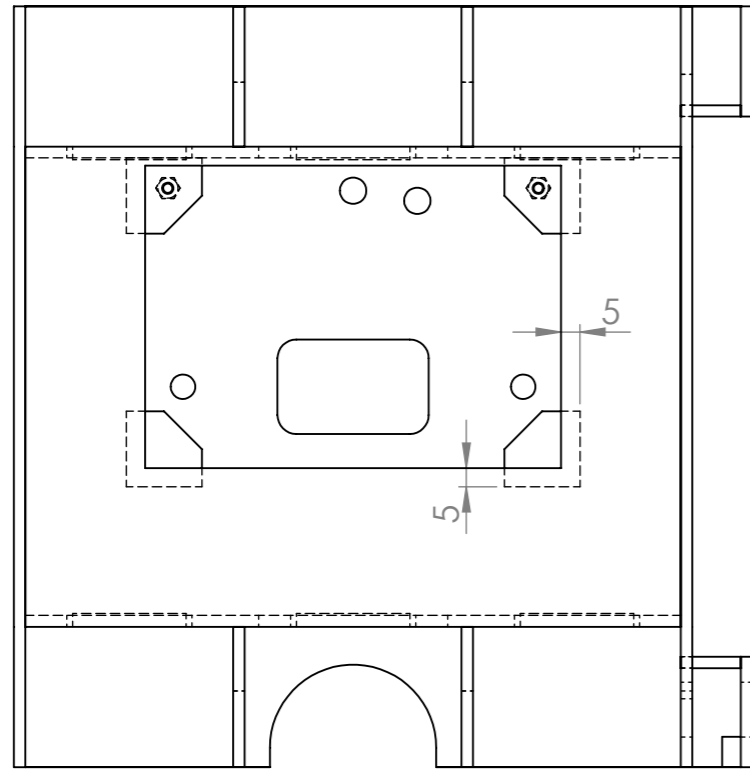


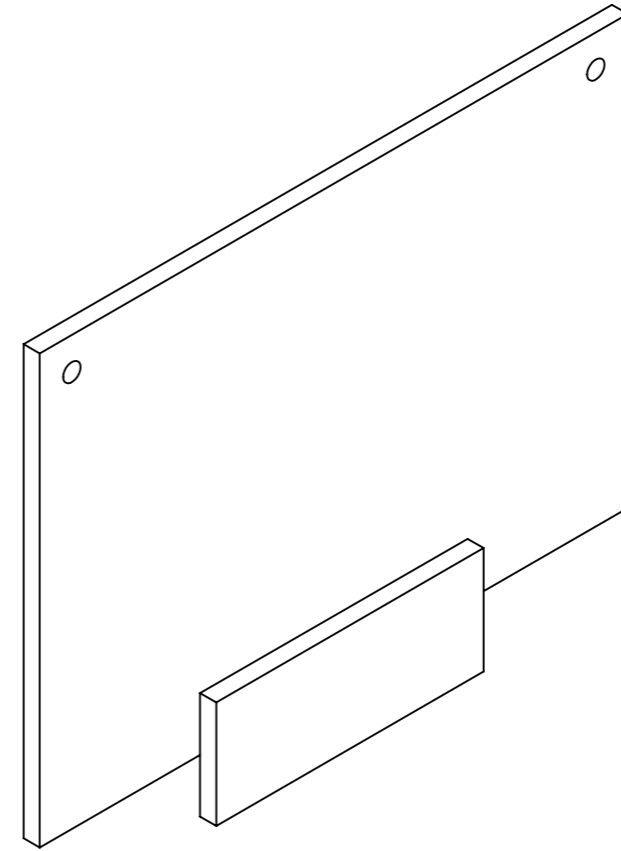
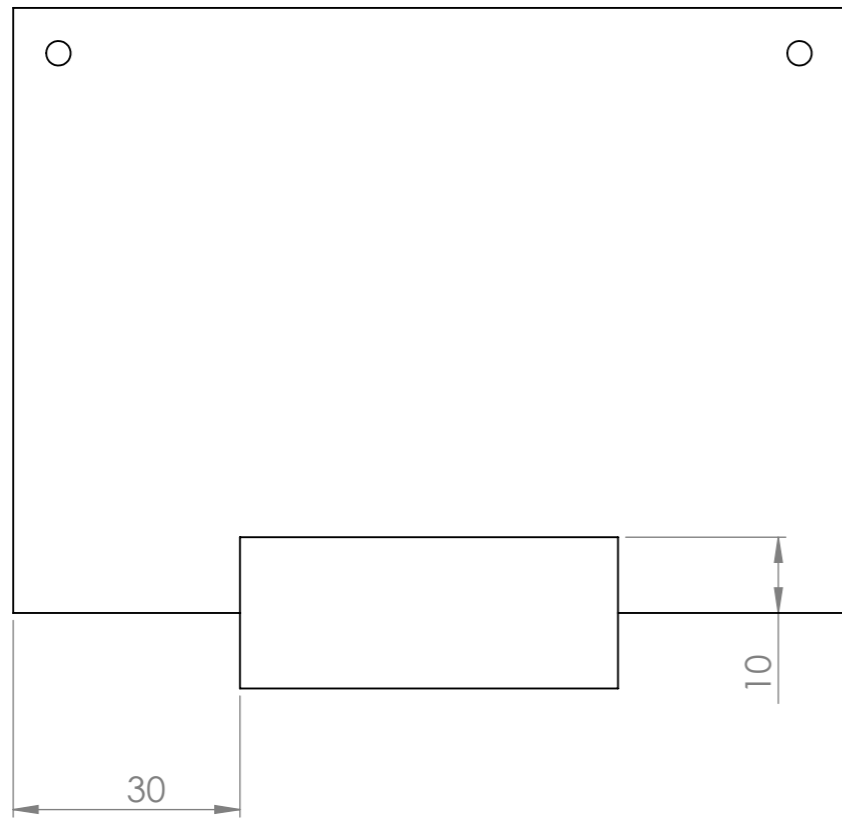
MAKE COVER FROM
1mm STYRENE, WITH
Ø 4 HOLE TO PREVENT
NUT FROM FALLING OUT

NUT HOLDER
NEED 2off



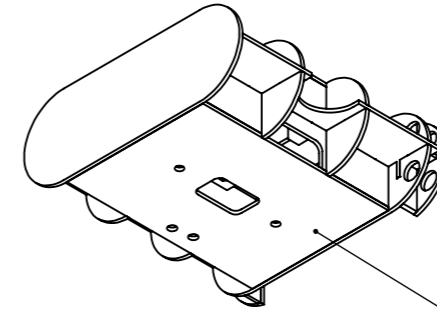
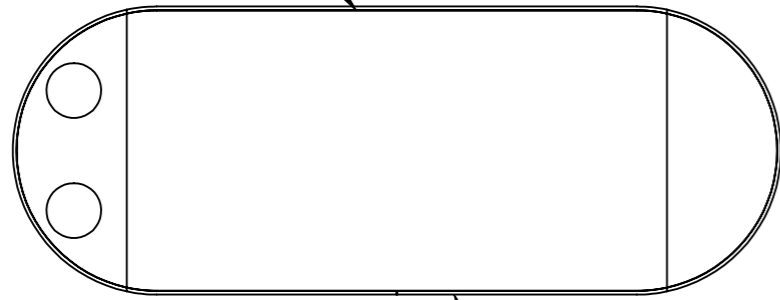






1mm SKINS

DOOR THIS SIDE -
REMOVE DOOR FOR
SKINNING



THIS IS TH BACK FACE

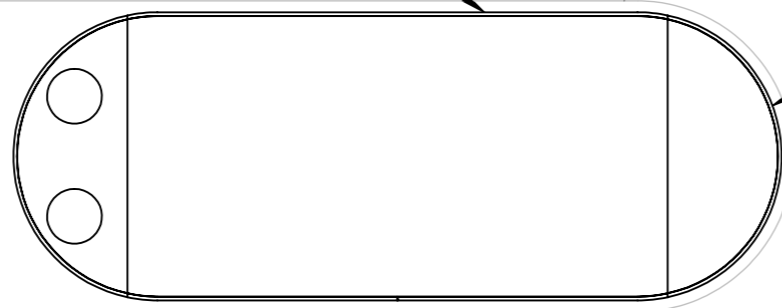
550 LONG x 220 WIDE

GLUE TO BACK FACE
AND WAIT TO CURE
BEFORE PROCEEDING

PUSH / HOLD DOWN !

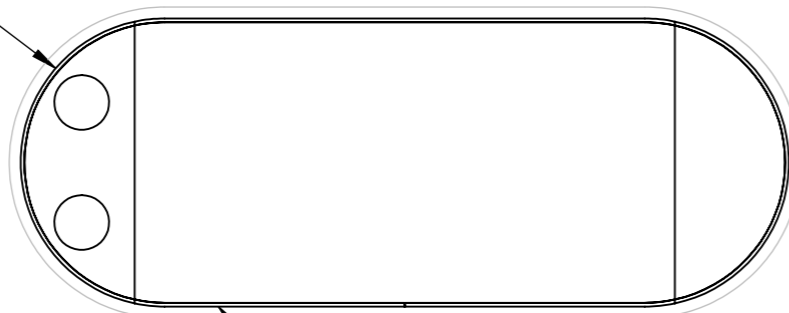
GLUE FRONT FACE AND
WAIT TO CURE BEFORE
PROCEEDING

PULL ROUND

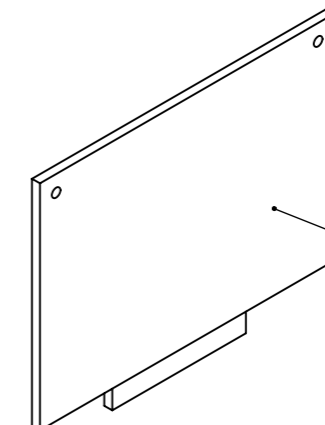


ON CURVE, ONLY GLUE ENDS
AND NOT THE RIBS
(GLUE PULLS THE PLASTIC, AND YOU
WILL SEE RIBS IN THE FINAL PRODUCT)

SAME AS PREVIOUS STEP
ONLY GLUE ENDS



GLUE TO BACK FACE
TRIM & FINISH



SKIN DOOR
SEPERATLY